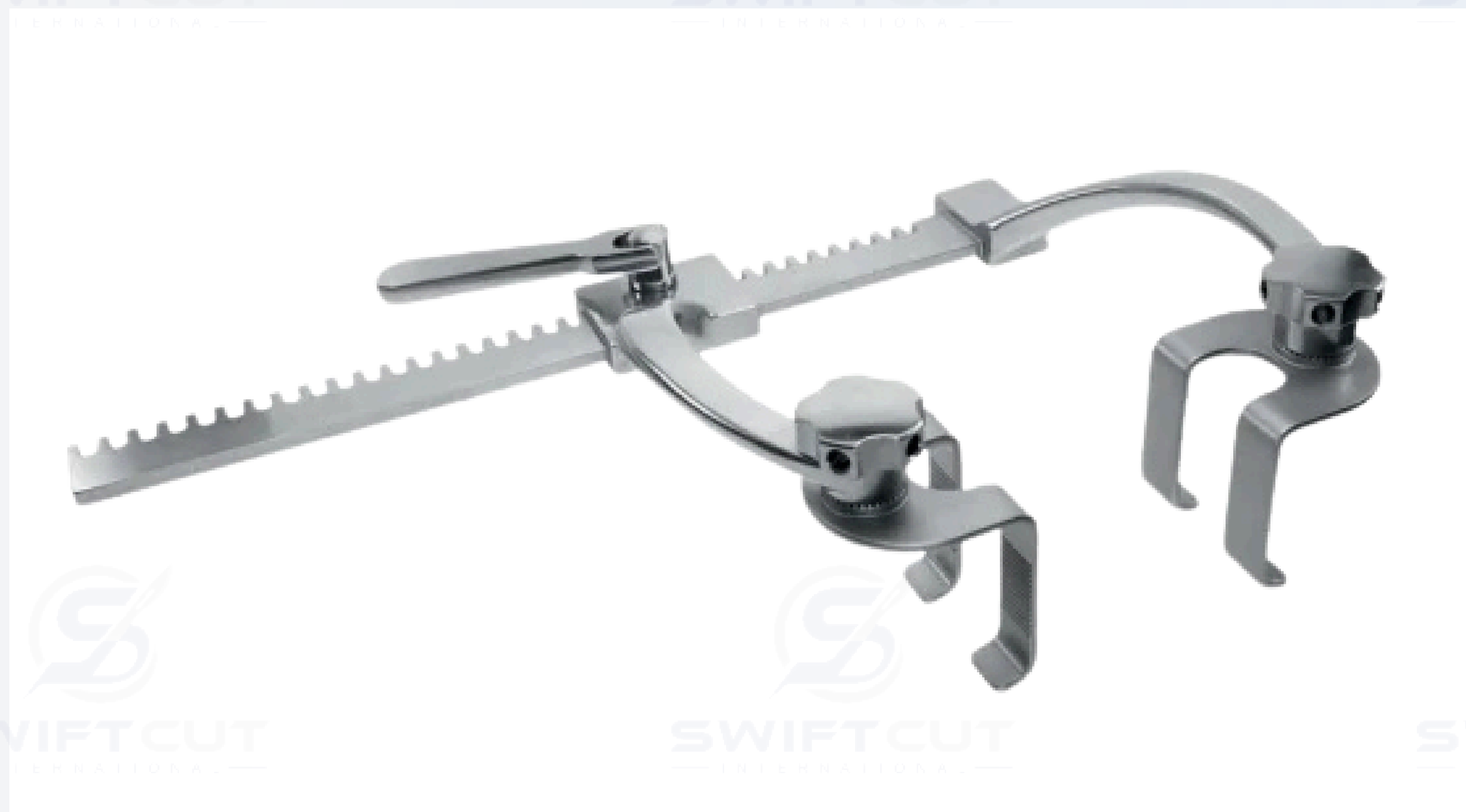


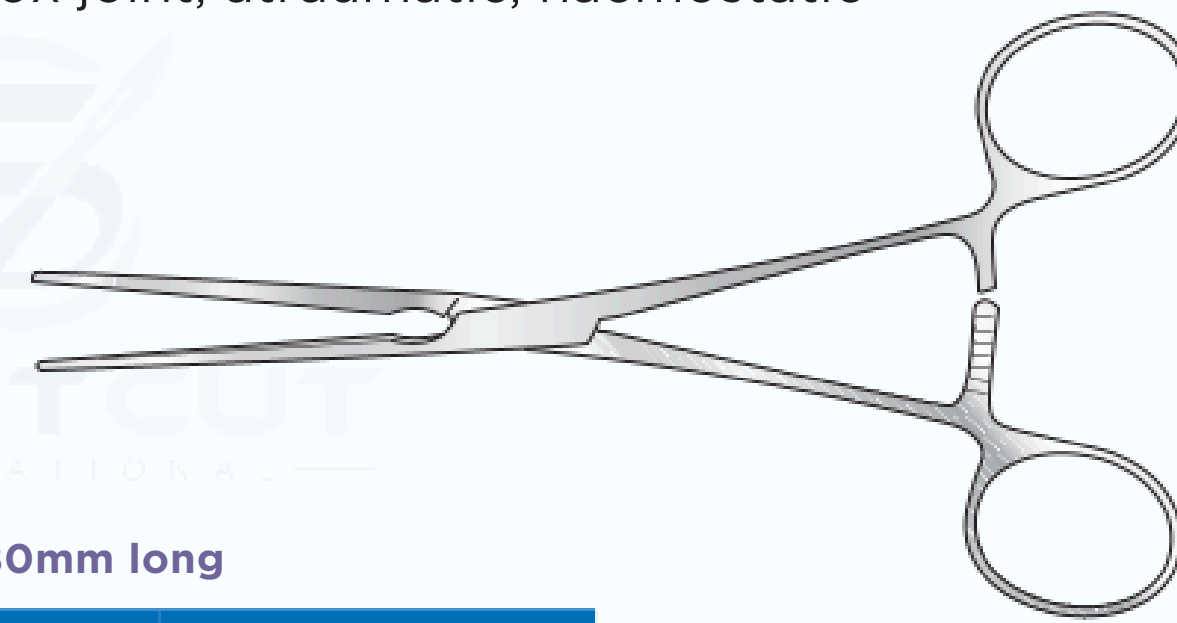
THORACIC

A specialized collection for open and minimally invasive procedures of the chest cavity. Includes rib spreaders (Finochietto, Tuffier), lung-grasping forceps (Duval, Lovelace), bronchus and vascular clamps, dissectors, and long-shafted needle holders. Designed to provide secure tissue grip, controlled occlusion, and reliable access within the deep thoracic space. Fine serrations, balanced weight, and durable stainless steel construction ensure atraumatic handling and consistent performance in both pulmonary and cardiac thoracic applications.



DeBakey Bainbridge Clamps

Box joint, atraumatic, haemostatic

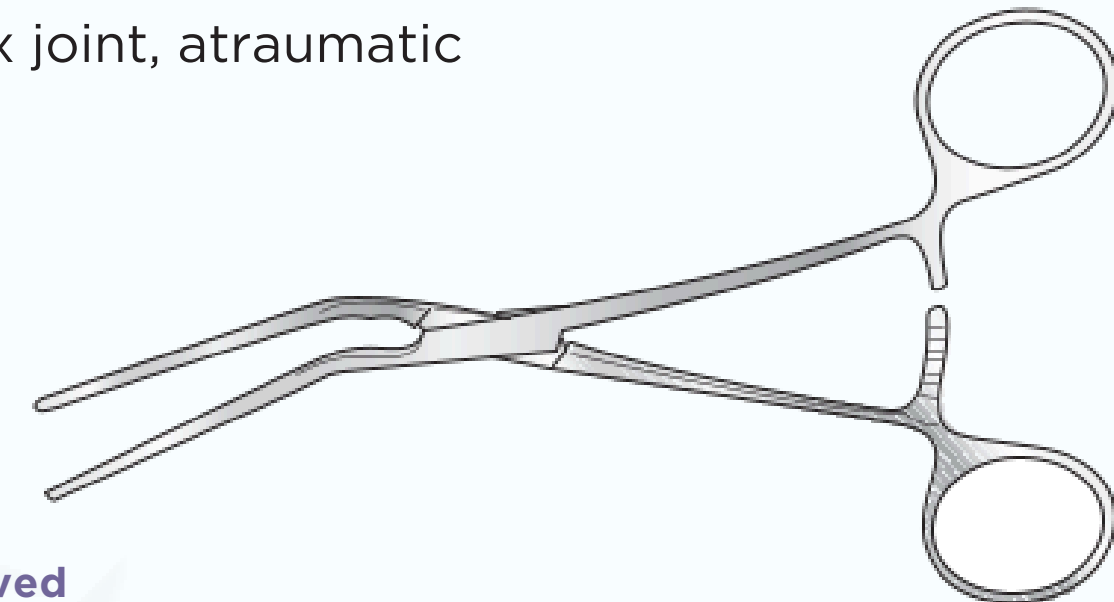


180mm long

SC-GI/078	Straight
SC-GI/077	Curved

DeBakey Bainbridge Clamps

Box joint, atraumatic

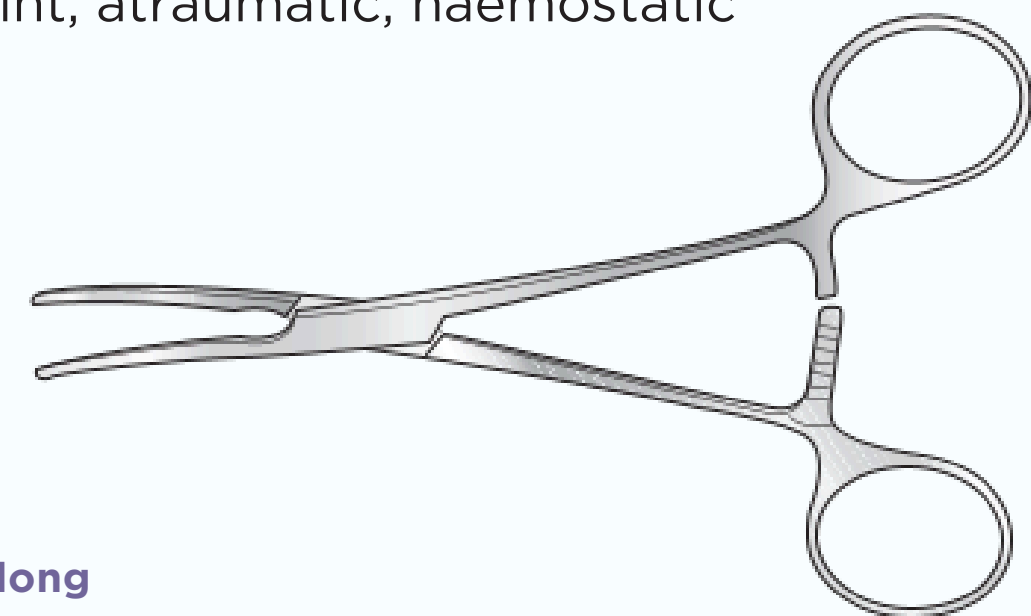


Curved

SC-GI/079	165mm long
-----------	------------

DeBakey Bainbridge Clamps

Box joint, atraumatic, haemostatic

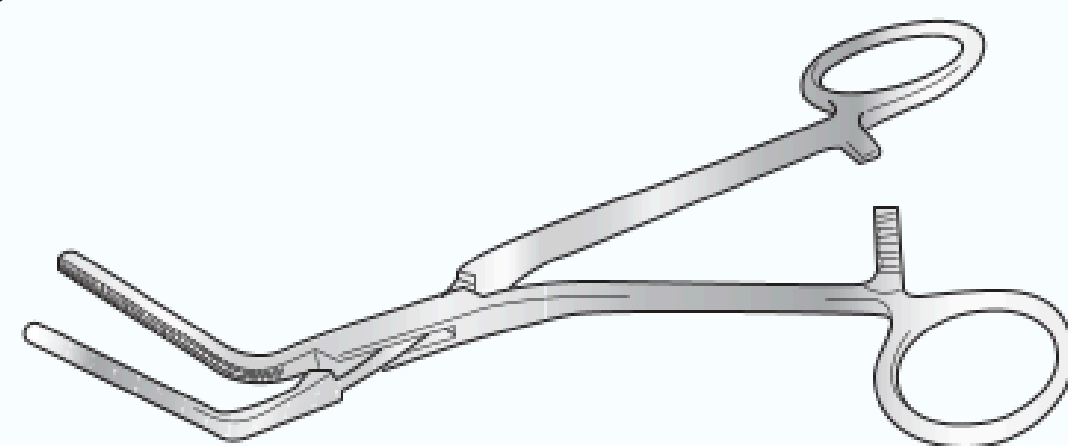


155mm long

SC-GI/105	Curved
SC-GI/106	Straight

Cooly Artery Clamps

Box joint, atraumatic, curved



SC-GI/071	160mm long
SC-GI/072	200mm long

Large, curved 60°

SC-GI/073	150mm long
-----------	------------

Large, strongly curved 90°

SC-GI/074	140mm long
-----------	------------

Curved 30°

SC-GI/075	160mm long
-----------	------------

DeBakey Clamps

Box joint, atraumatic

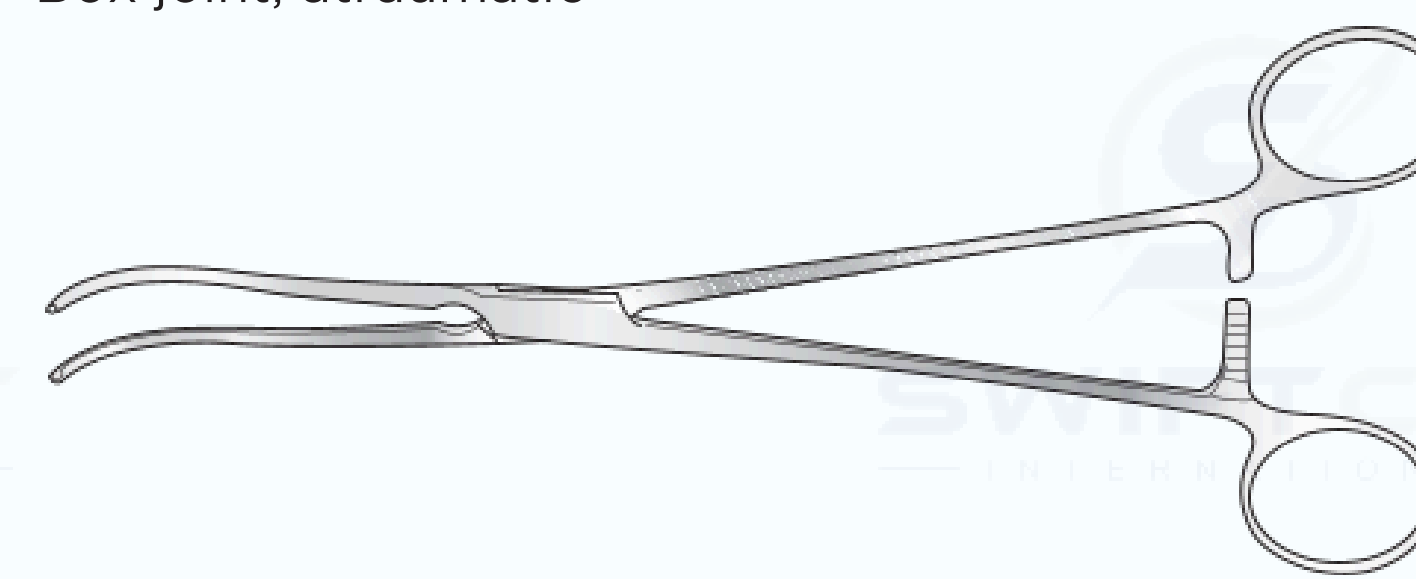


Curved

SC-GI/086	230mm long
-----------	------------

DeBakey Clamps

Box joint, atraumatic

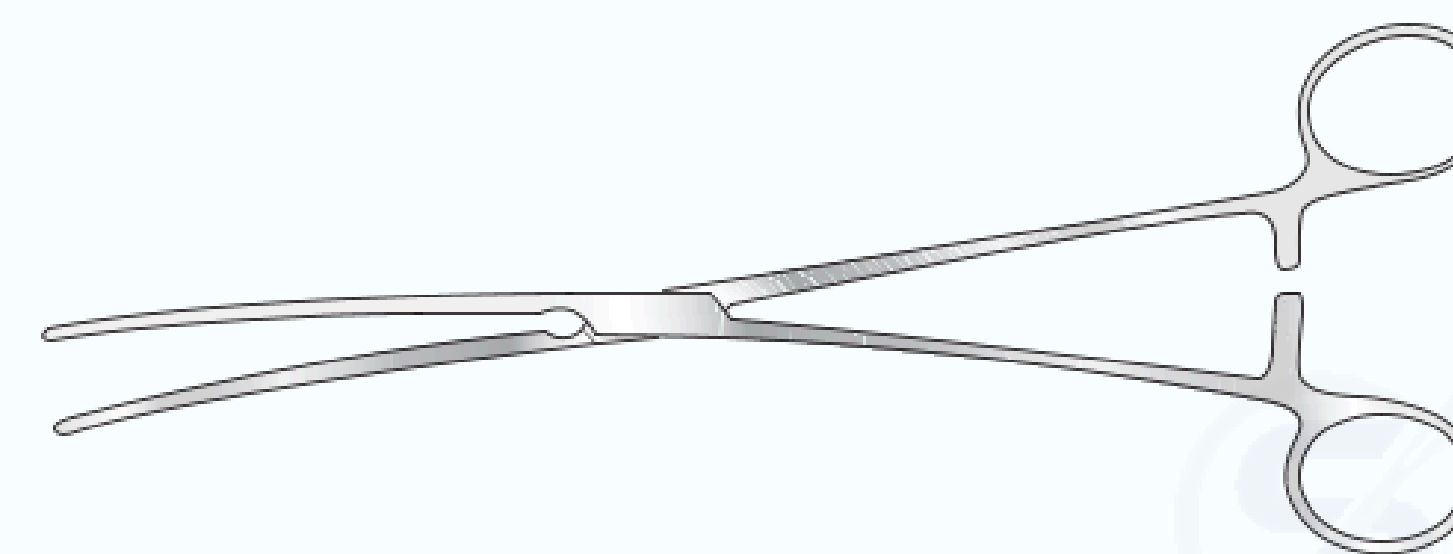


Curved

SC-GI/088	230mm long
SC-GI/089	240mm long
SC-GI/090	245mm long

DeBakey Clamps

Box joint, atraumatic

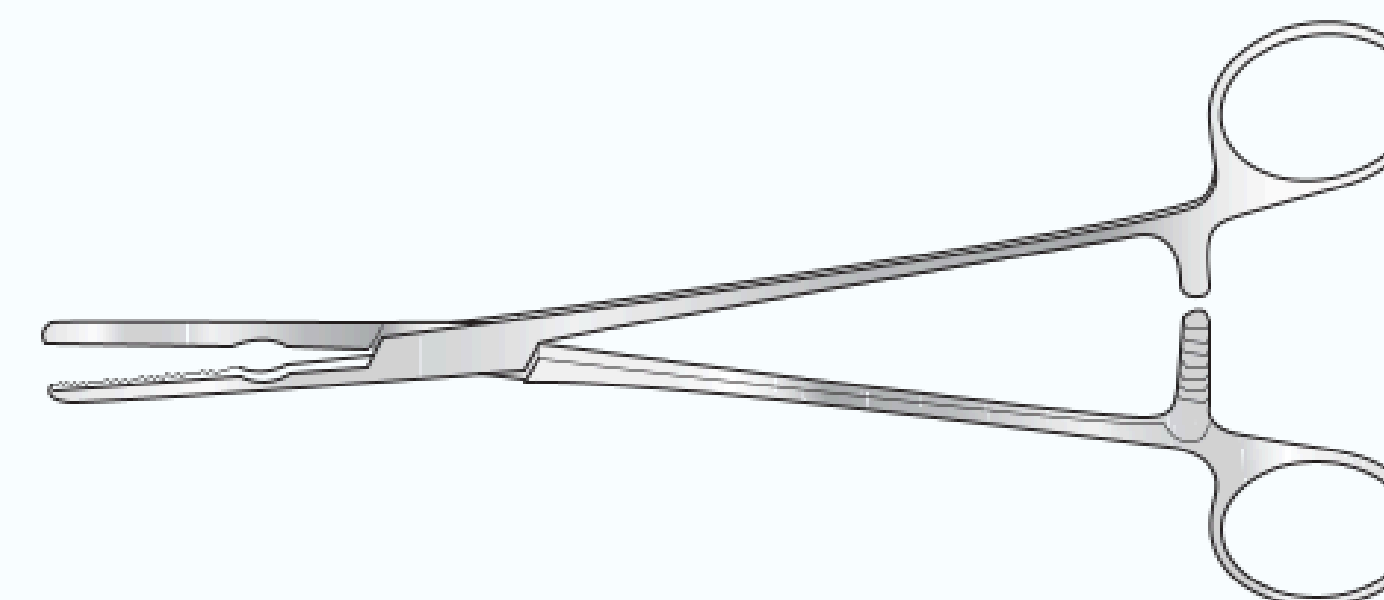


Curved

SC-GI/091	250mm long
SC-GI/092	270mm long
SC-GI/093	280mm long

DeBakey Clamps

Box joint, atraumatic, straight

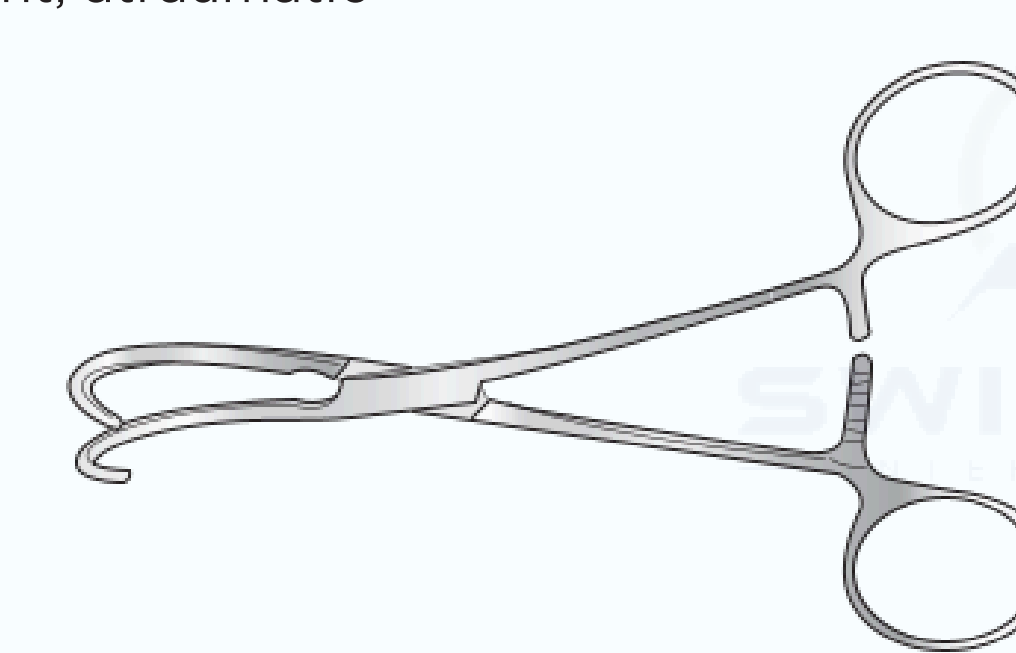


Curved

SC-GI/100	160mm long
SC-GI/104	165mm long
SC-GI/101	203mm long
SC-GI/098	215mm long
SC-GI/102	220mm long
SC-GI/103	230mm long
SC-GI/099	245mm long

DeBakey Clamps

Box joint, atraumatic

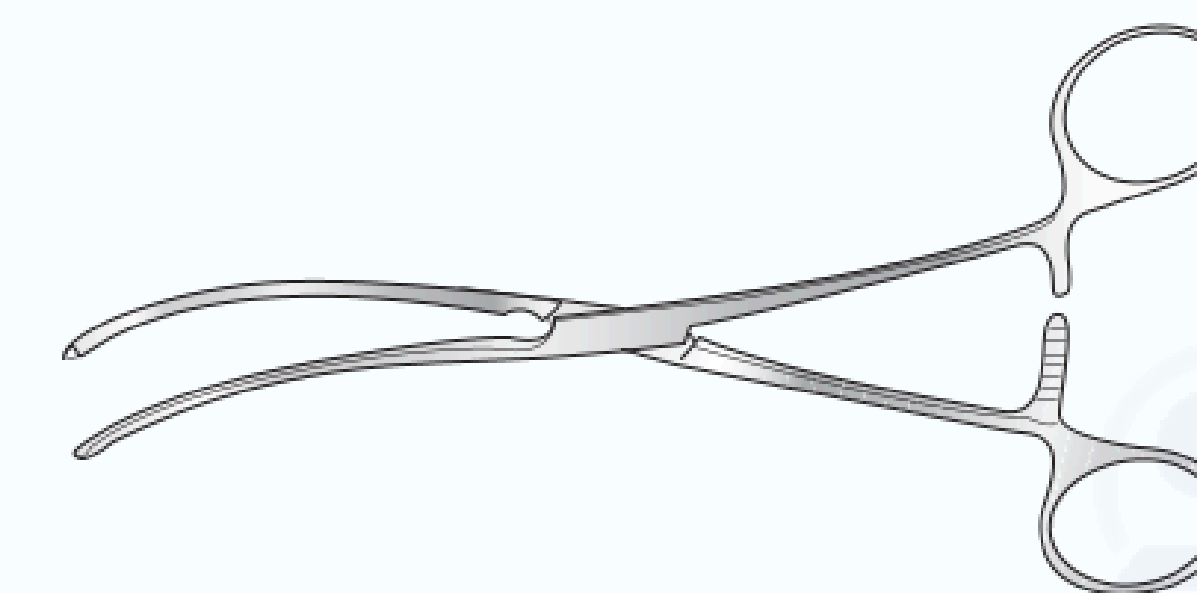


Curved

SC-GI/094	150mm long
-----------	------------

DeBakey Clamps

Box joint, atraumatic

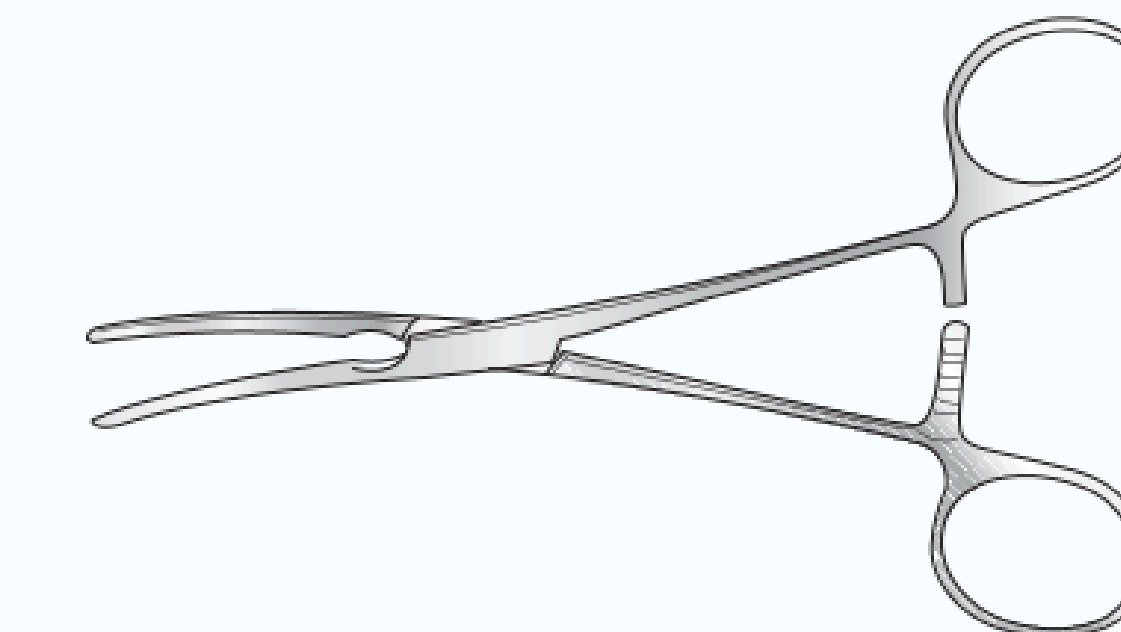


Curved

SC-GI/096	180mm long
SC-GI/097	203mm long

DeBakey Clamps

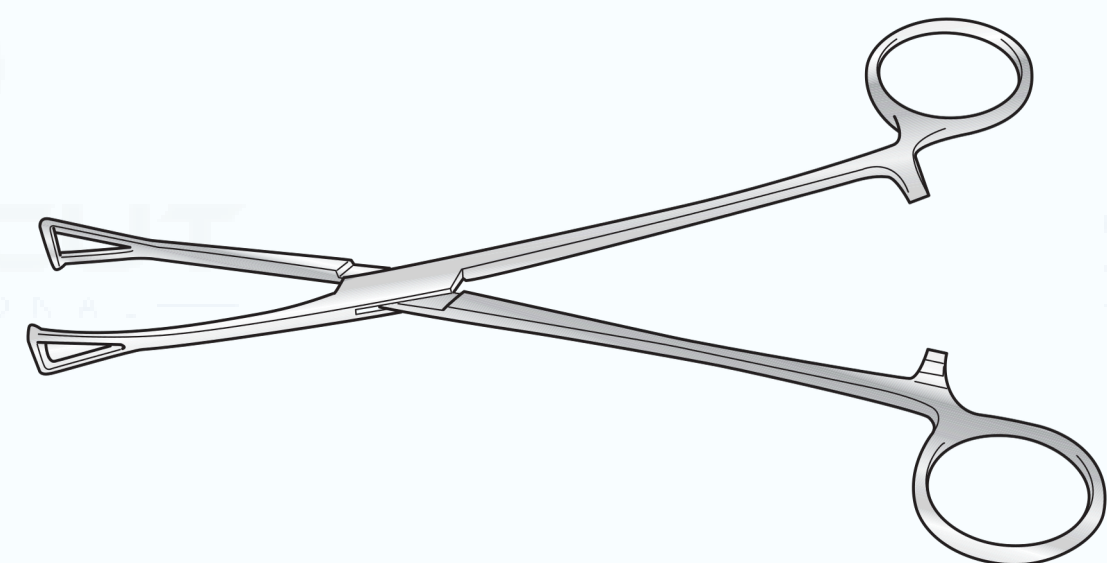
Box joint, atraumatic



Curved

SC-GI/080	165mm long
SC-GI/081	190mm long
SC-GI/082	203mm long
SC-GI/083	215mm long
SC-GI/084	220mm long

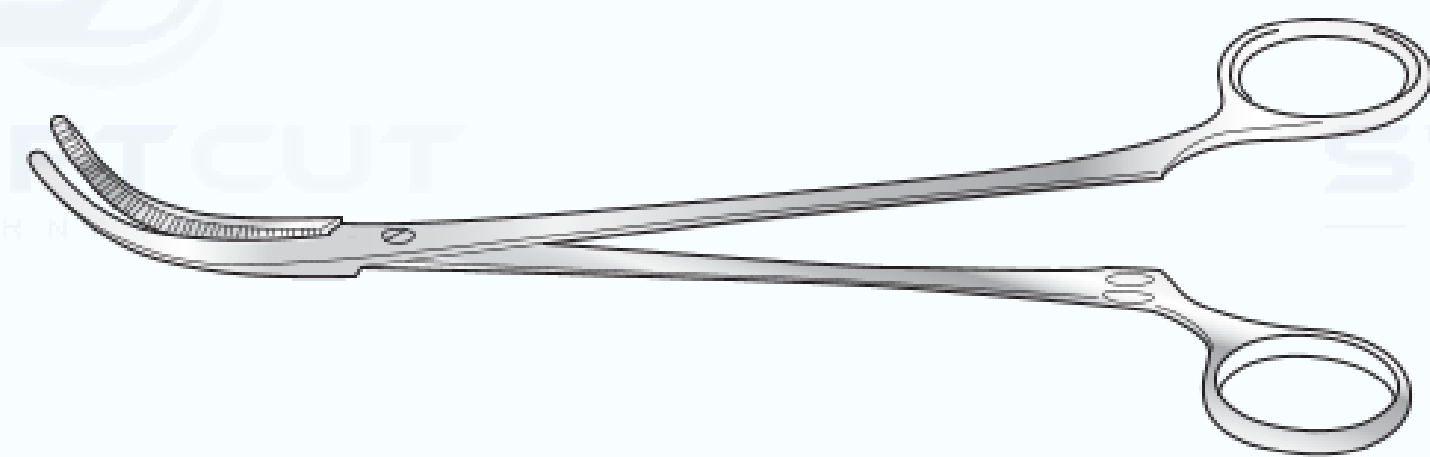
Duval Lung Grasping Clamps



SC-THO/033	185mm long
------------	------------

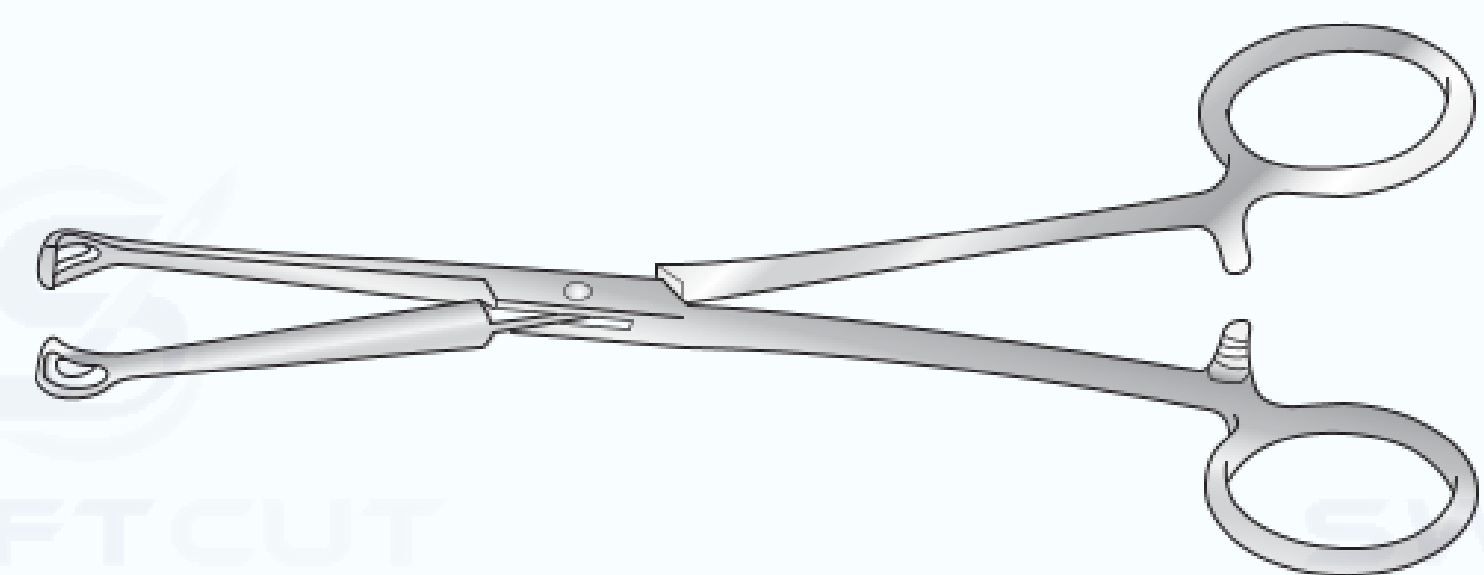
Tudor Edwards Artery Clamps

Curved, serrated jaws, screw joint, satin finish



SC-THO/015	230mm long
------------	------------

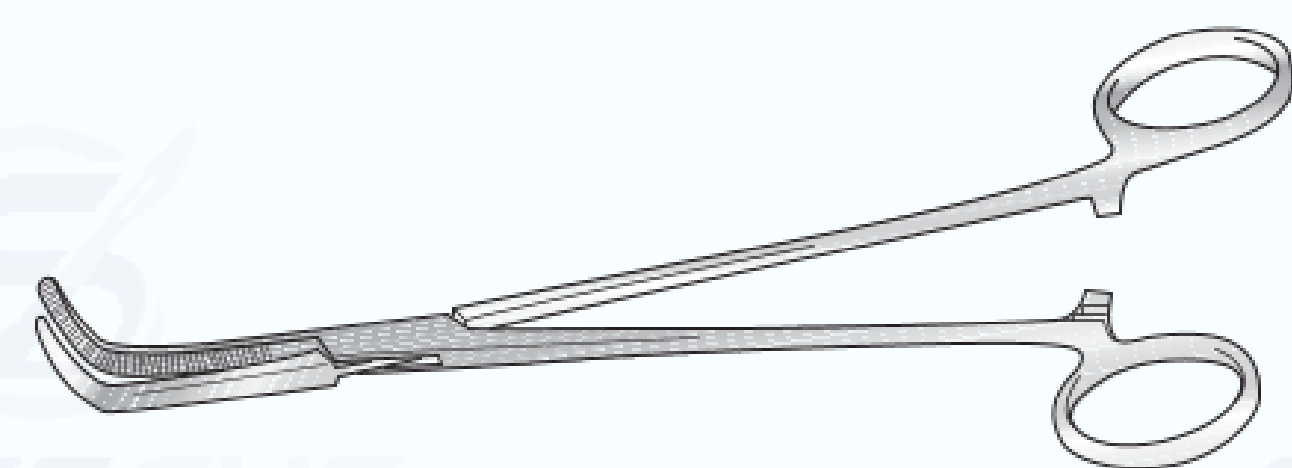
Babcock Lung Grasping Clamps



SC-THO/034	245mm long
------------	------------

O'Shaughnessy Artery Clamps

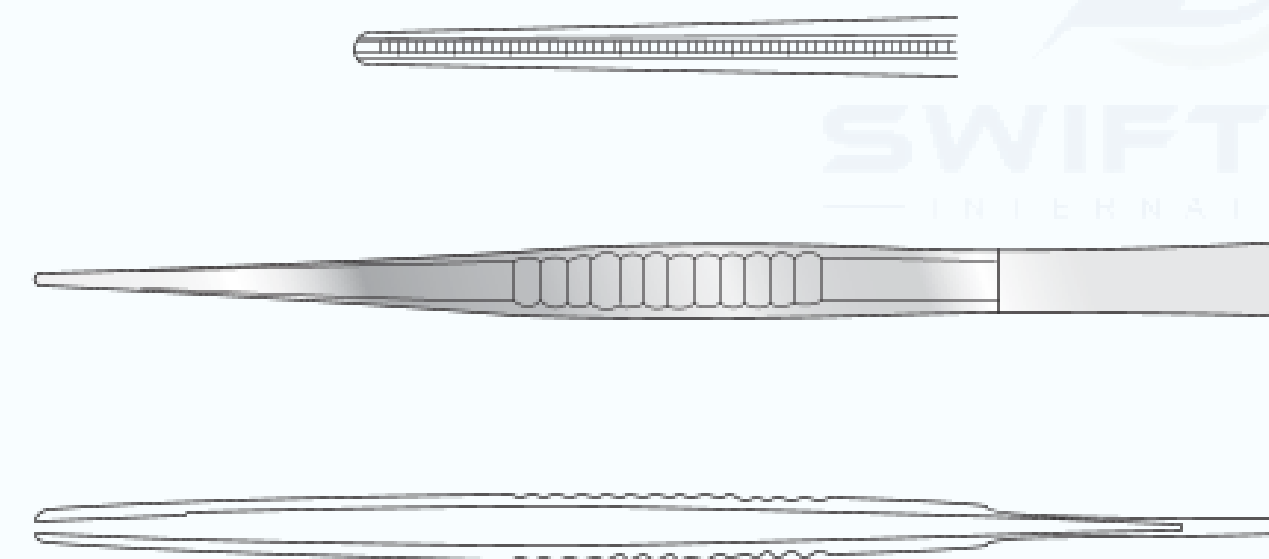
Right angled serrated jaw



SC-THO/036a	150mm long
SC-THO/036b	180mm long
SC-THO/036c	200mm long
SC-THO/036d	230mm long

DeBakey Atraumatic Dissecting Clamps

Straight, atraumatic jaws



1.5mm

SC-GI/238a	150mm long
SC-GI/240a	240mm long

2mm

SC-GI/238	150mm long
SC-GI/241	180mm long

2.5mm

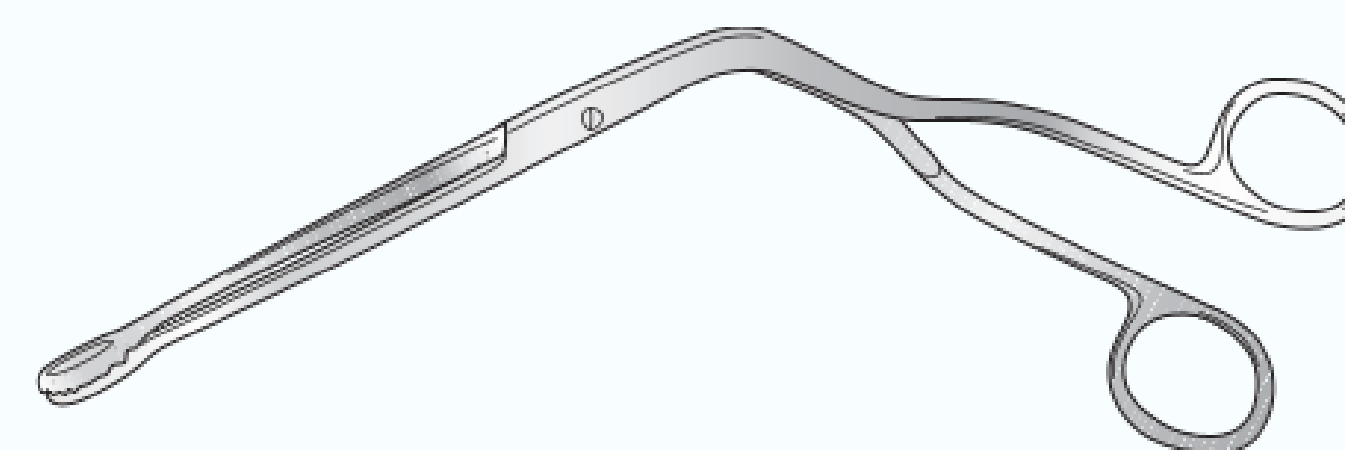
SC-GI/238b	150mm long
SC-GI/240b	240mm long

2.8mm

SC-GI/238c	long 150mm
SC-GI/240c	long 240mm
SC-GI/241c	long 180mm

Magill Intratracheal Catheter Clamps

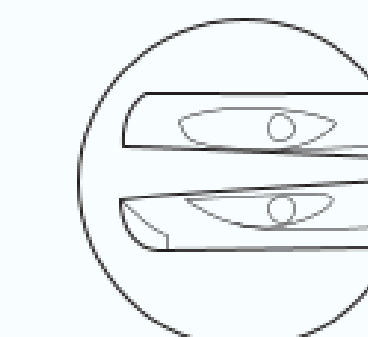
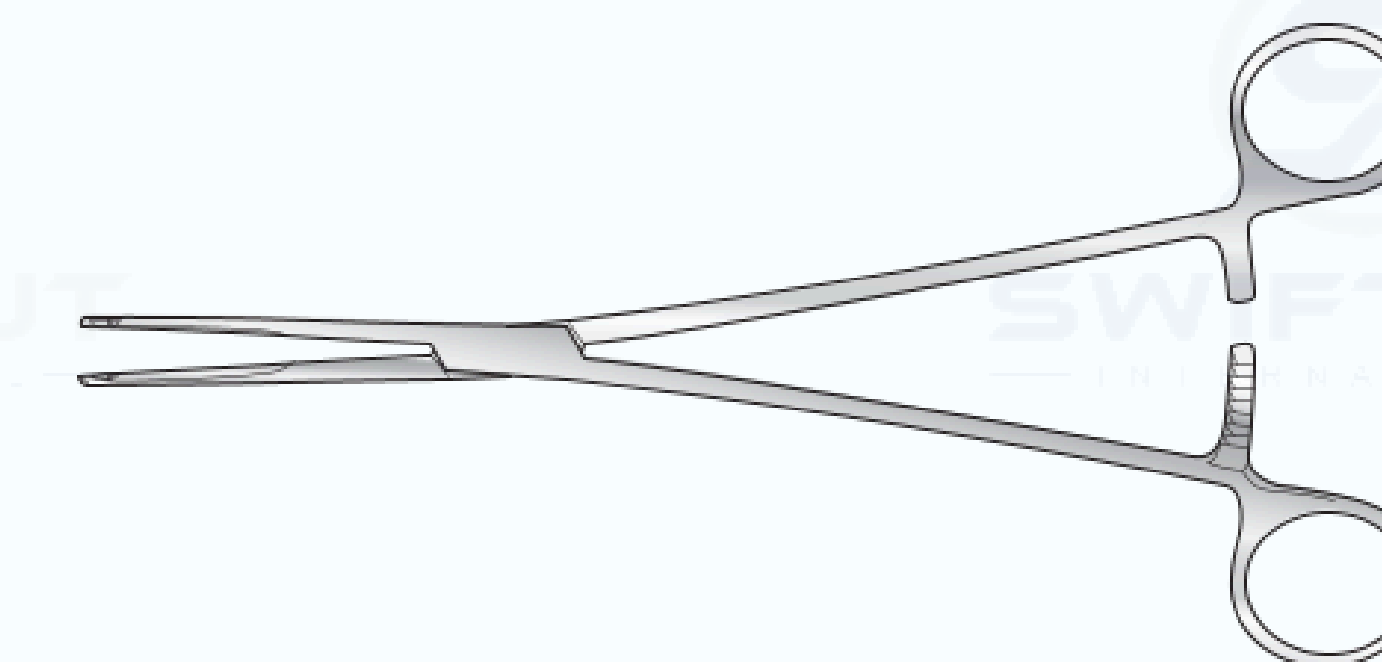
Screw joint



SC-THO/032	Infant, 160mm long
SC-THO/032a	Child, 190mm long
SC-THO/032b	Adult, 230mm long

SEMB Ligature Passing Clamps

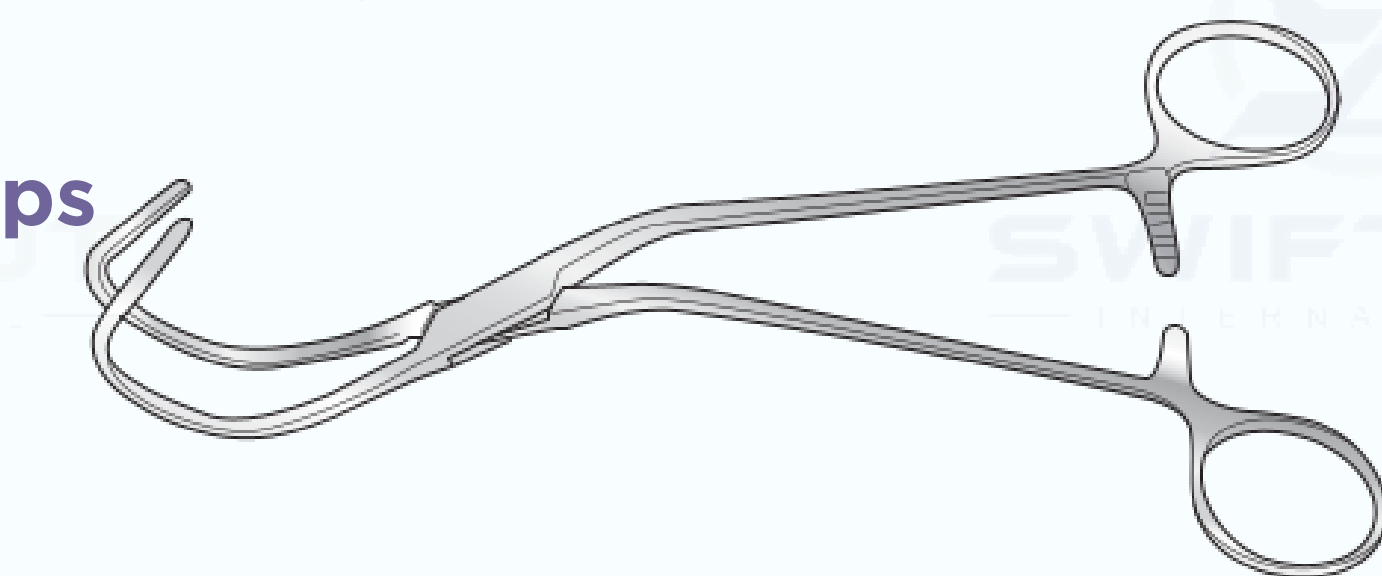
240mm long



SC-THO/044	Slightly curved
SC-THO/045	Fully curved

Lambert-Kay Clamp

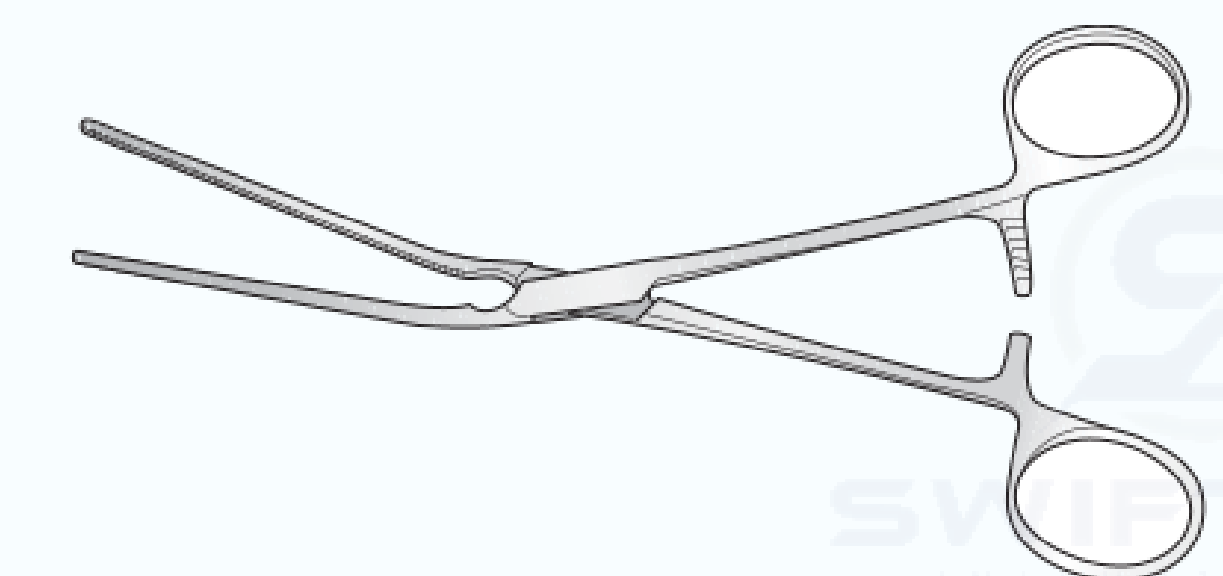
Atraumatic



SC-THO/029a	Curved, 220mm long
SC-THO/029b	Straight, 215mm long
SC-THO/029c	Straight, 200mm long

Leland-Jones Clamp

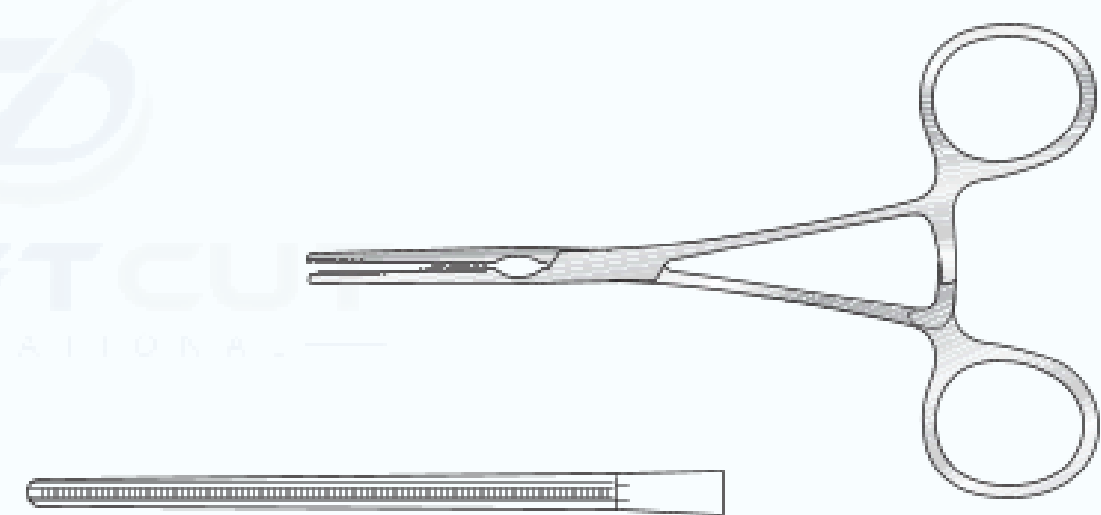
Atraumatic, hemostatic



SC-THO/023a	Curved, 190mm long
SC-THO/023b	Straight, 195mm long

DeBakey Clamp

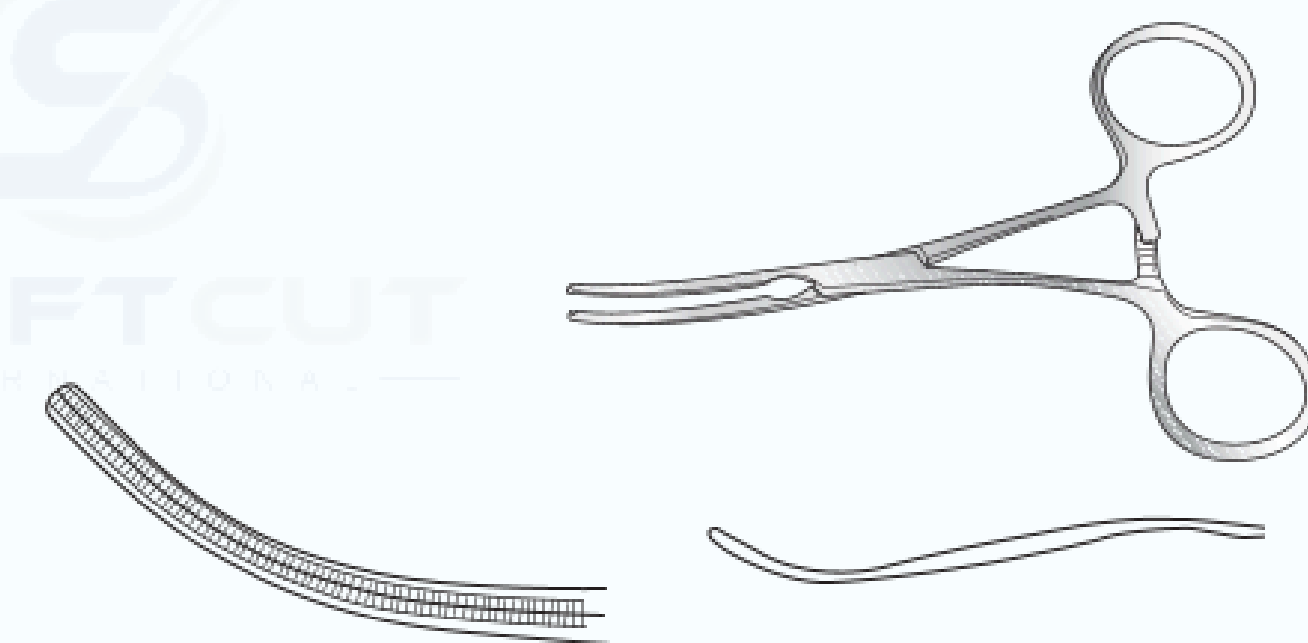
Straight jaws, ring handle



SC-THO/048	137mm long
------------	------------

DeBakey Clamp

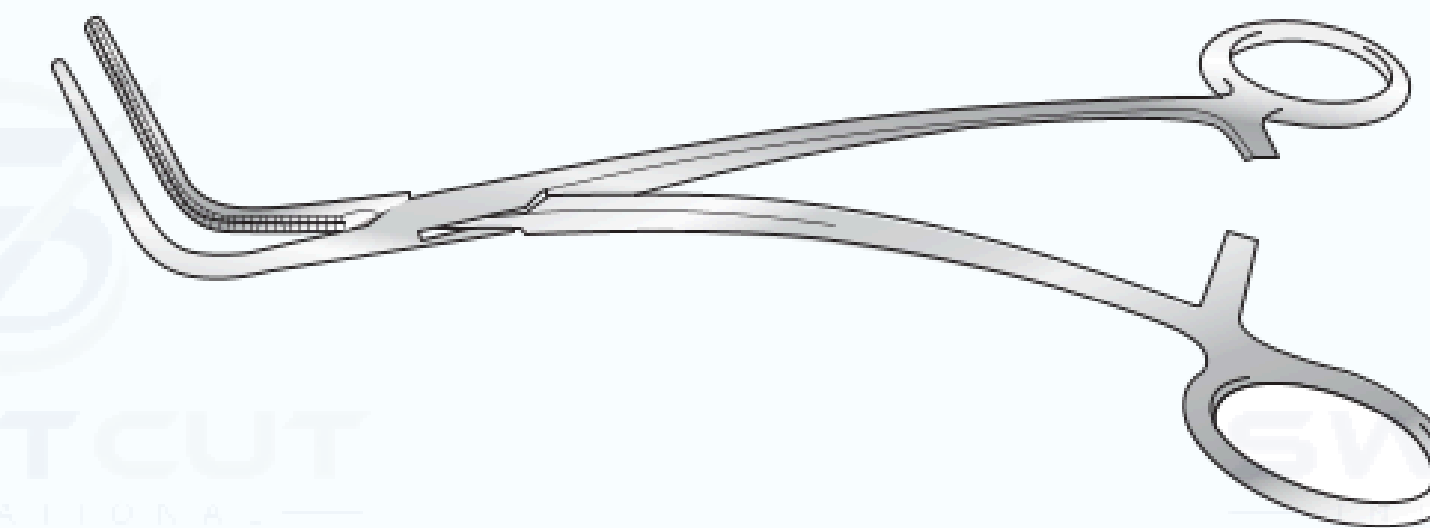
'S' shaped curved jaws, curved shaft, ring handle



SC-THO/049	127mm long
------------	------------

DeBakey Atraumatic Clamp

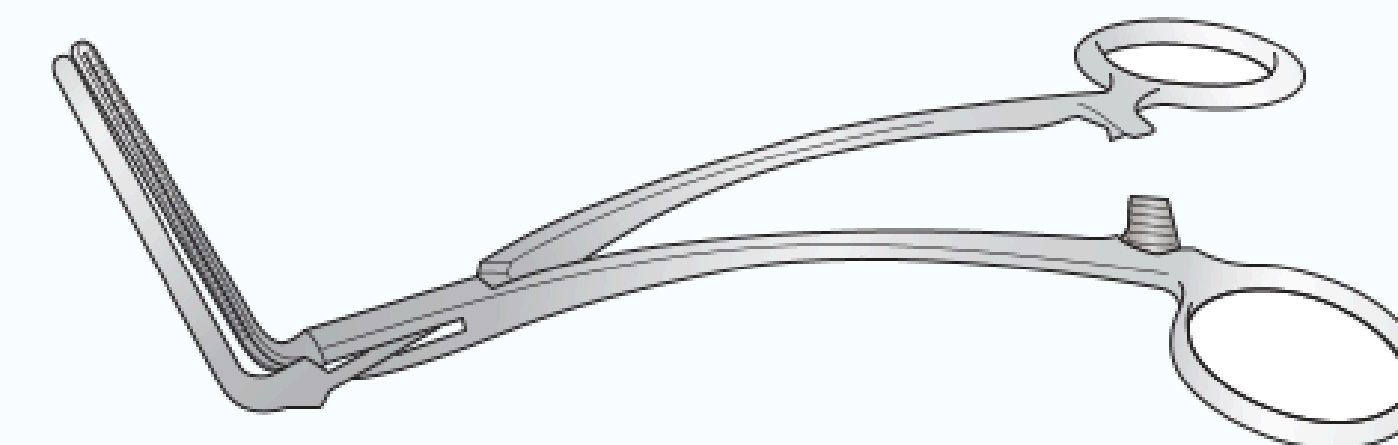
Right-angled, 40mm jaw



SC-THO/044a	220mm long
-------------	------------

DeBakey Atraumatic Clamp

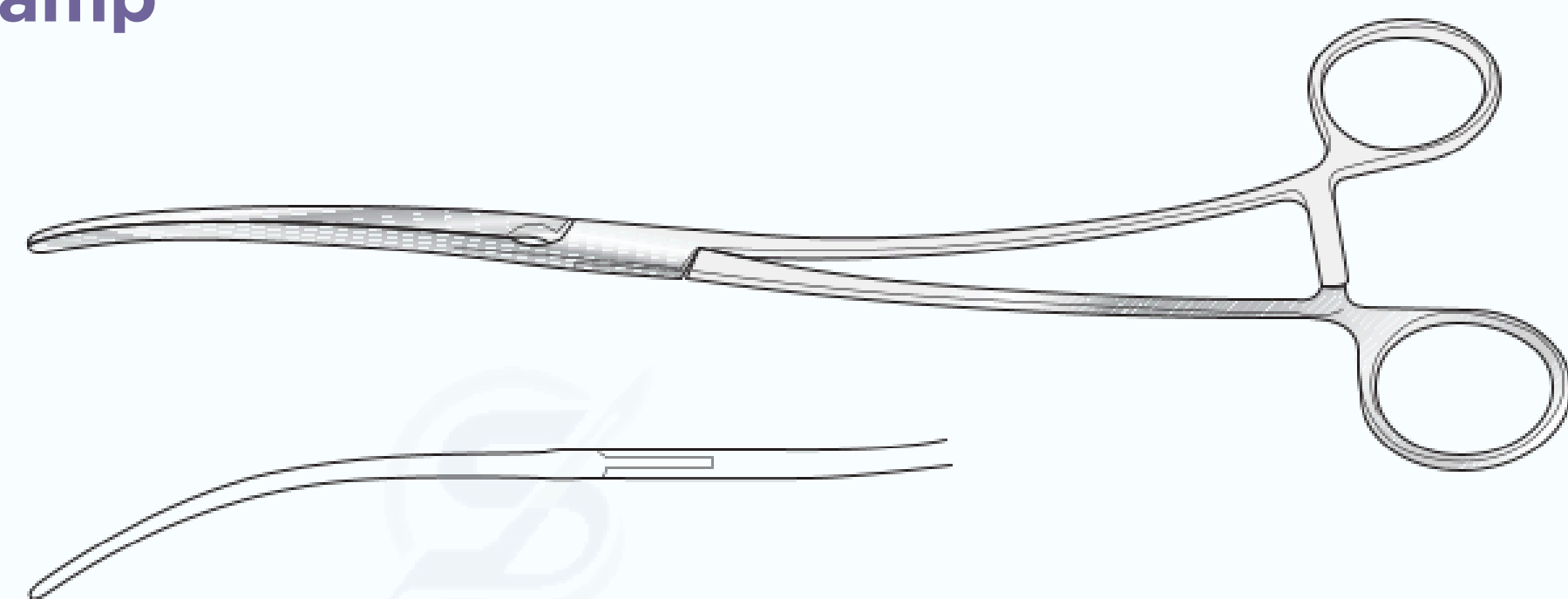
Right-angled, 50mm jaw



SC-THO/045	200mm long
------------	------------

DeBakey "S" Shaped Clamp

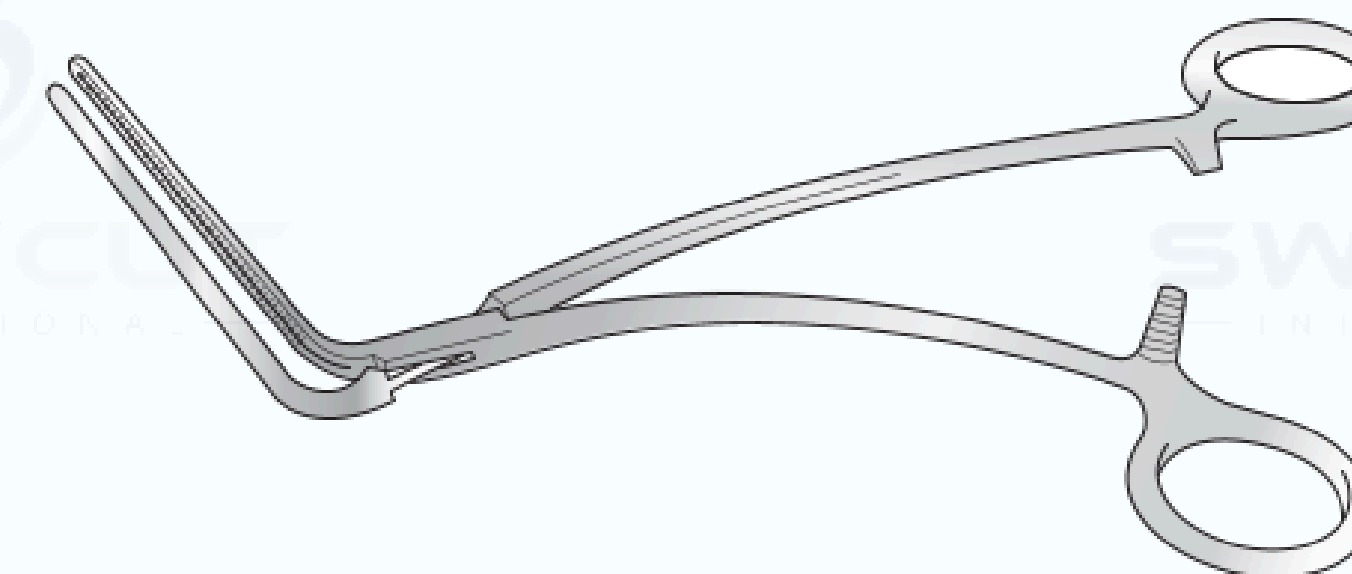
300mm long



SC-THO/096	115mm jaws
------------	------------

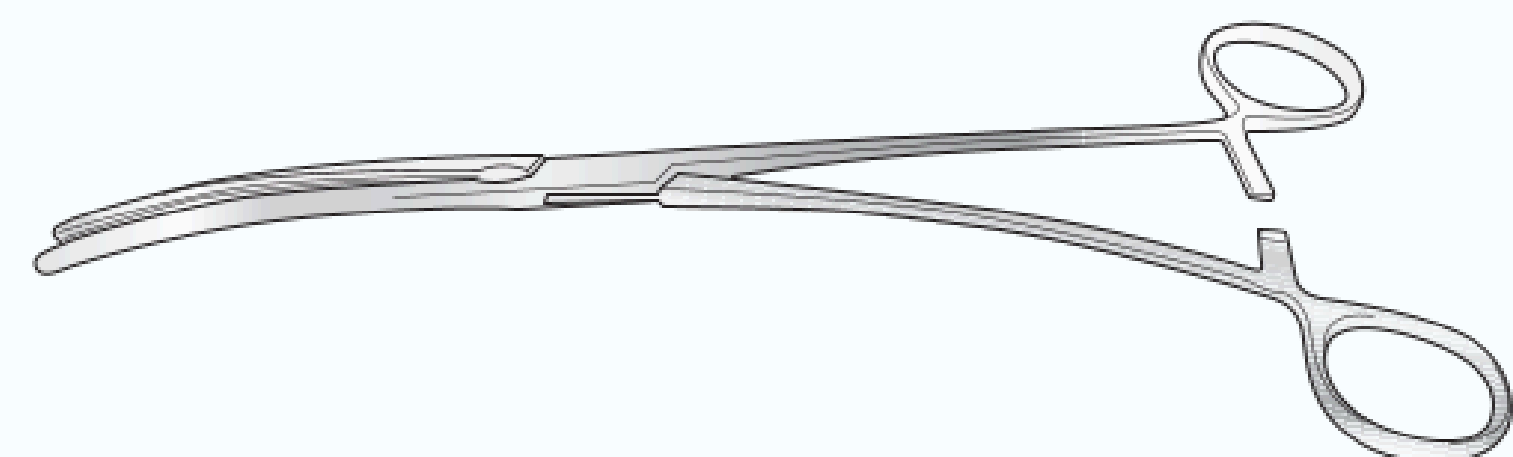
DeBakey Atraumatic Clamp

Right-angled, 65mm jaw



SC-THO/046	215mm long
------------	------------

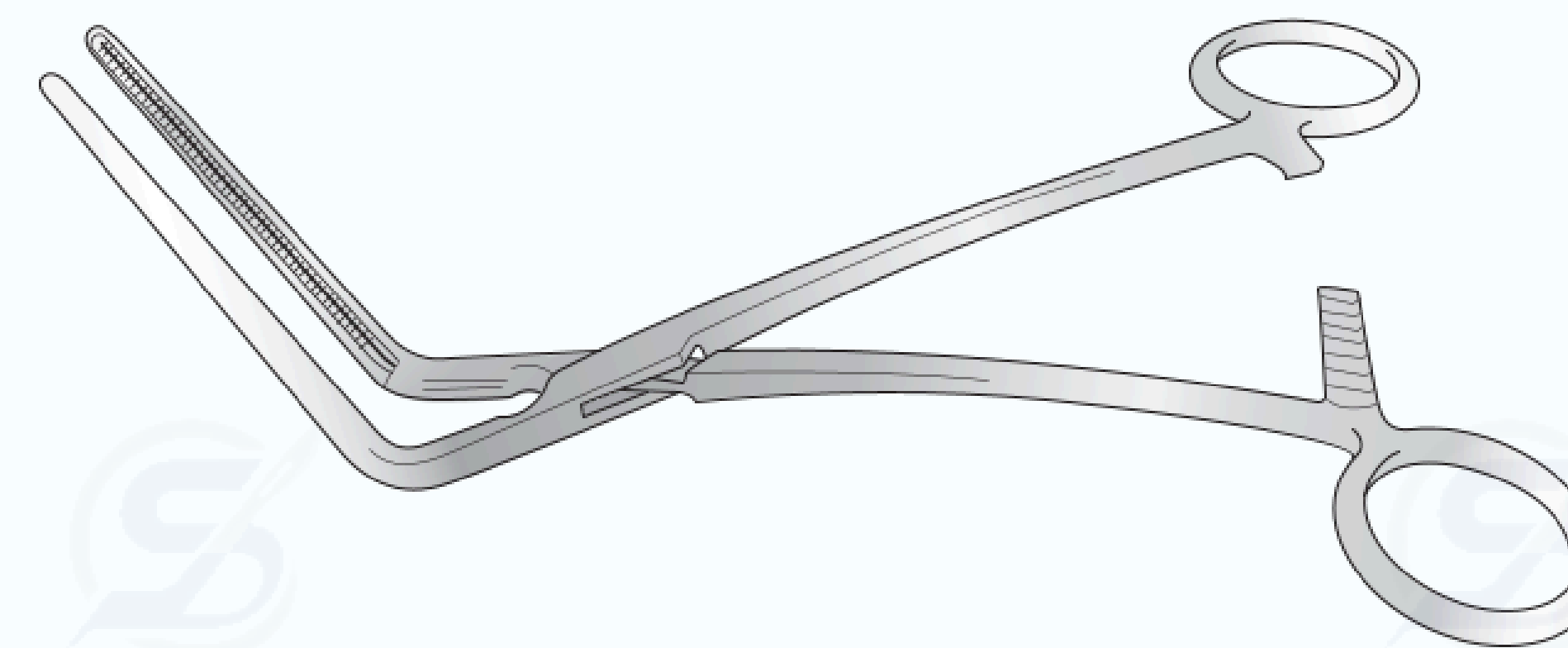
DeBakey Atraumatic Clamp



SC-THO/090	110mm jaw, 300mm long
SC-THO/092	95mm jaw, 250mm long

DeBakey Atraumatic Clamp

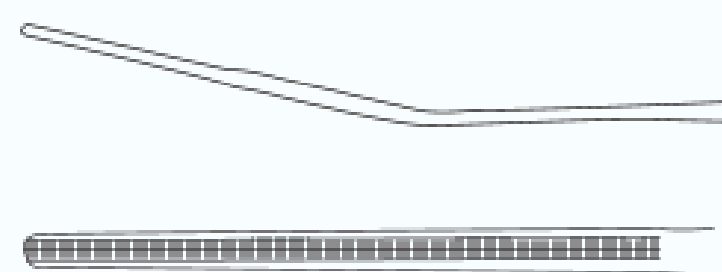
Right-angled, 100mm jaw



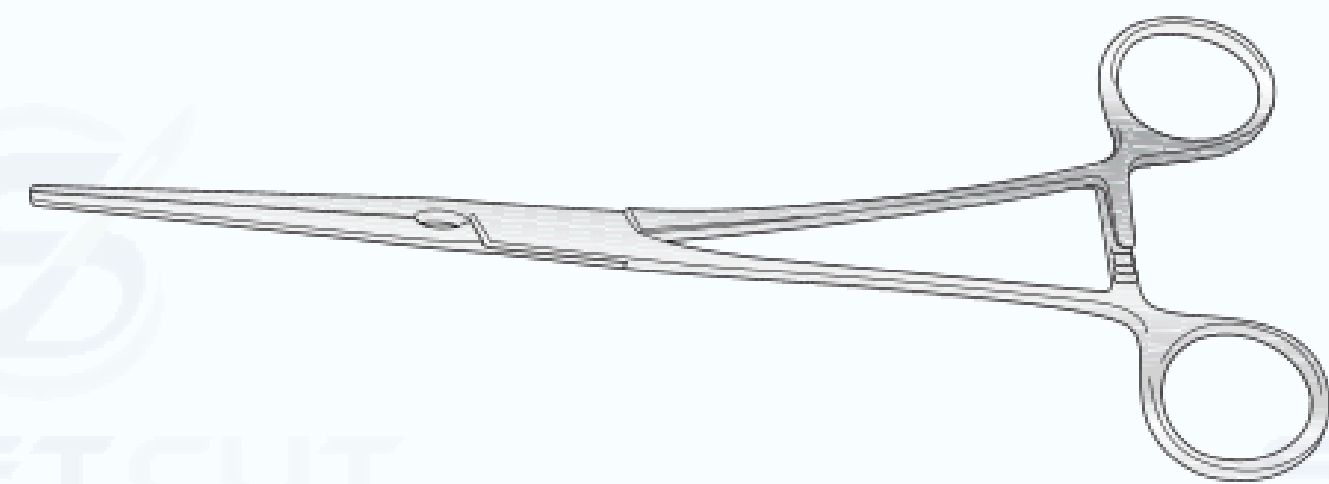
SC-THO/047	280mm long
------------	------------

DeBakey Coarctation Clamp

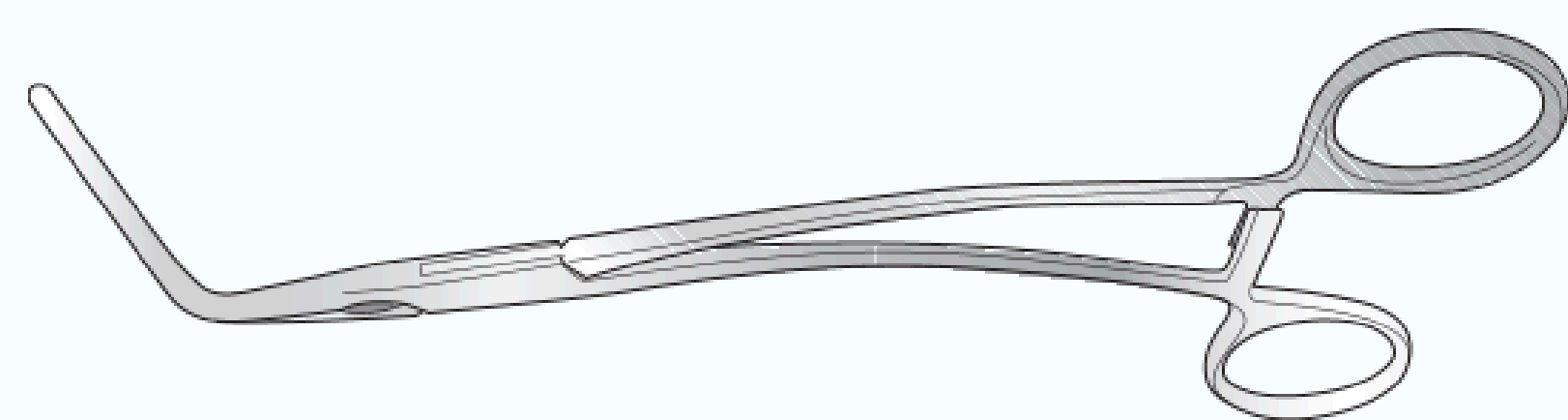
Angled, 225mm long



SC-THO/052



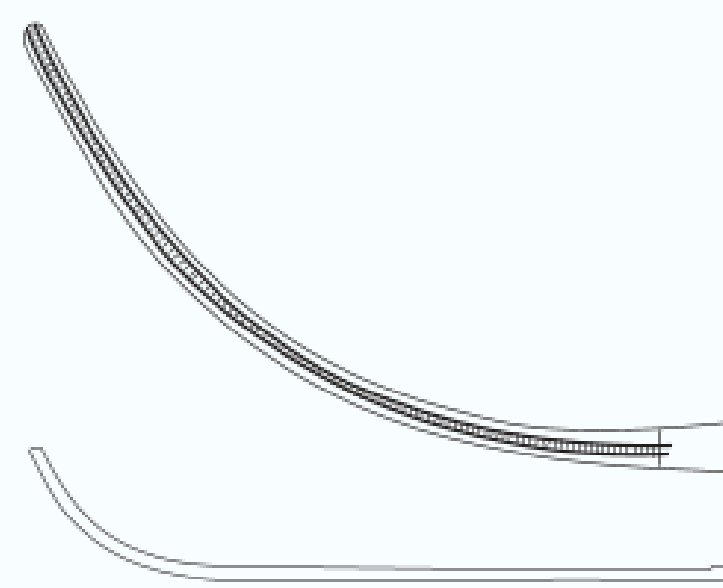
DeBakey Multipurpose Clamp



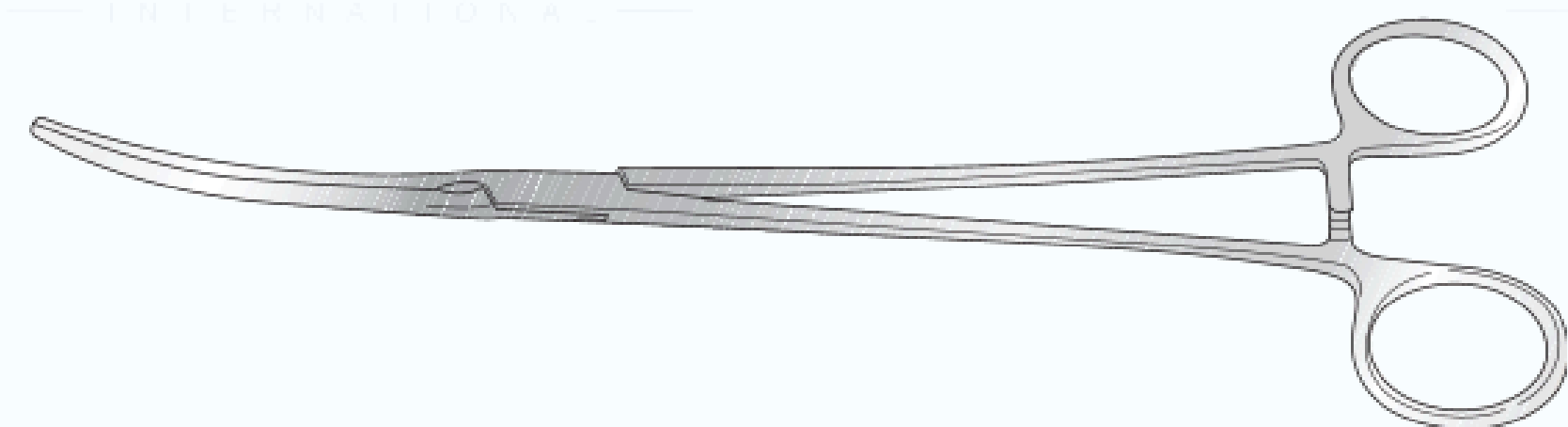
SC-THO/095 85mm jaw, 230mm long
SC-THO/064 100mm jaw, 280mm long

DeBakey Multipurpose Clamp

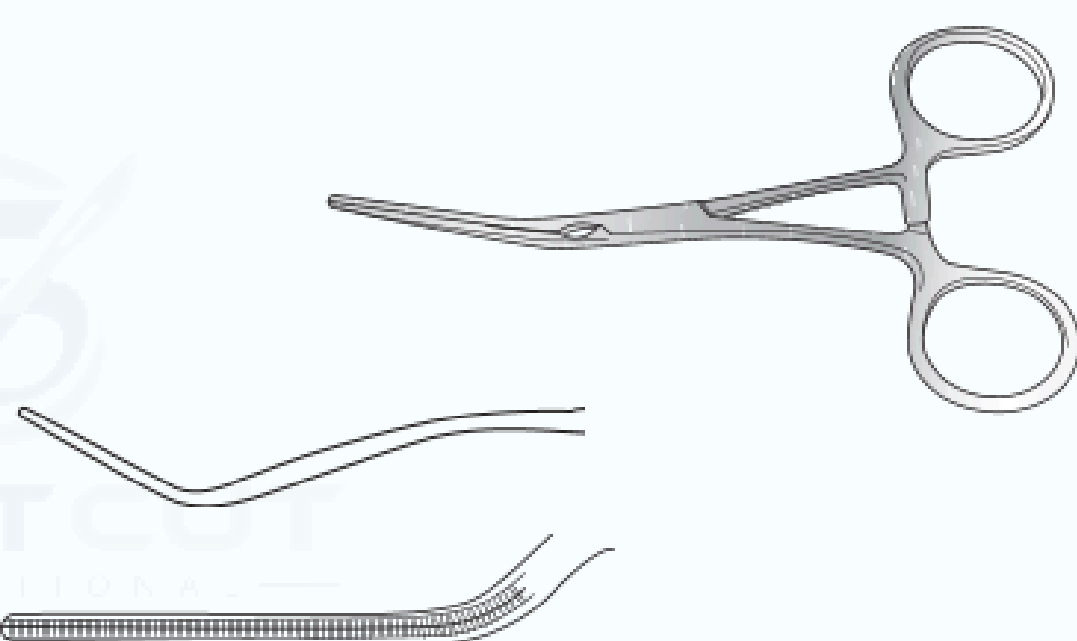
Obtuse angled 60°, 280mm long



SC-THO/053

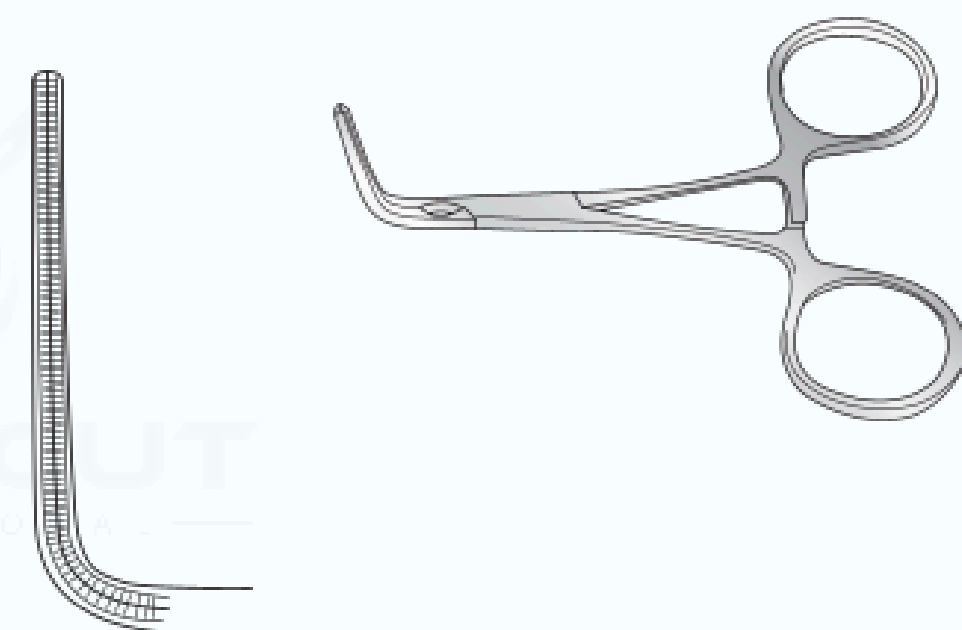


DeBakey 45° Paediatric Clamp



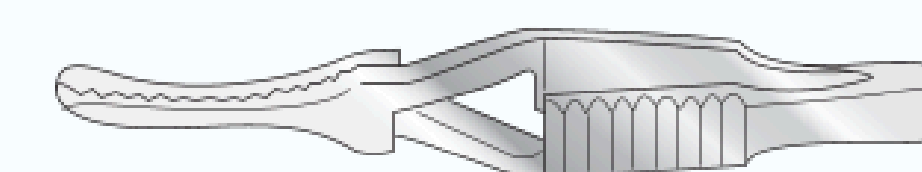
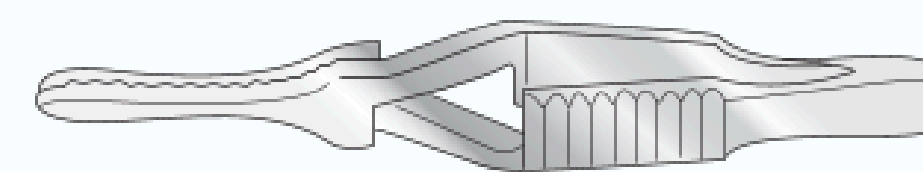
SC-THO/050 130mm long

DeBakey 90° Paediatric Clamp



SC-THO/051 105mm long

Dieffenbach Bulldog Clamp



Straight, serrated

SC-GI/112	1.2mm fine jaw, 40mm long
SC-GI/113	1.2mm fine jaw, 45mm long
SC-GI/108	1.8mm jaw, 30mm long
SC-GI/109	1.8mm jaw, 35mm long
SC-GI/110	2.5mm jaw, 40mm long
SC-GI/111	2.5mm jaw, 45mm long
SC-GI/107	6mm heavy jaw, 60mm long
SC-GI/455	20mm jaw, 75mm long
SC-GI/455a	30mm jaw, 85mm long
SC-GI/455b	45mm jaw, 105mm long
SC-GI/455c	65mm jaw, 120mm long

Straight, plain

SC-GI/129	1.2mm fine jaw, 40mm long
SC-GI/131	1.2mm fine jaw, 45mm long
SC-GI/121	1.8mm jaw, 30mm long
SC-GI/123	1.8mm jaw, 35mm long
SC-GI/125	2.5mm jaw, 40mm long
SC-GI/127	2.5mm jaw, 45mm long

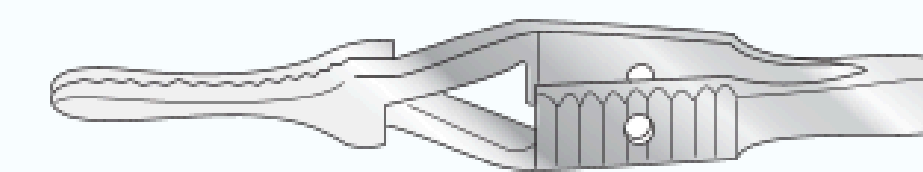
Curved, serrated

SC-GI/119	1.2mm fine jaw, 40mm long
SC-GI/120	1.2mm fine jaw, 45mm long
SC-GI/115	1.8mm jaw, 30mm long
SC-GI/116	1.8mm jaw, 35mm long
SC-GI/117	2.5mm jaw, 40mm long
SC-GI/118	2.5mm jaw, 45mm long
SC-GI/114	6mm heavy jaw, 60mm long
SC-GI/456	20mm jaw, 75mm long
SC-GI/456a	30mm jaw, 85mm long
SC-GI/456b	45mm jaw, 105mm long
SC-GI/456c	65mm jaw, 120mm long

Curved, plain

SC-GI/130	1.2mm fine jaw, 40mm long
SC-GI/132	1.2mm fine jaw, 45mm long
SC-GI/122	1.8mm jaw, 30mm long
SC-GI/124	1.8mm jaw, 35mm long
SC-GI/126	2.5mm jaw, 40mm long
SC-GI/128	2.5mm jaw, 45mm long

Blalock Bulldog Clamp



Serrated, with hole in handle

Straight

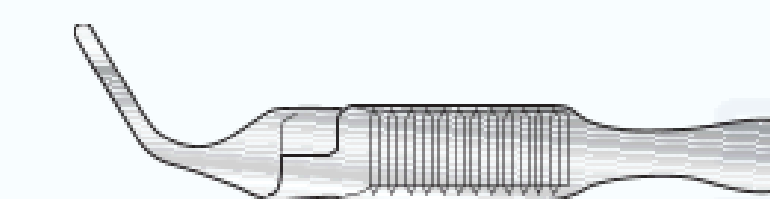
SC-GI/480	11mm jaw, 38mm long
SC-GI/482	14mm jaw, 48mm long
SC-GI/493	17mm jaw, 60mm long
SC-GI/481	27mm jaw, 70mm long

Curved

SC-GI/478	11mm jaw, 38mm long
SC-GI/479	14mm jaw, 48mm long
SC-GI/491	17mm jaw, 60mm long
SC-GI/492	27mm jaw, 70mm long

Diethrich Bulldog Clamp

Angled 12mm jaw



SC-JD-GI/8097 44mm long

Plain, with hole in handle

Straight

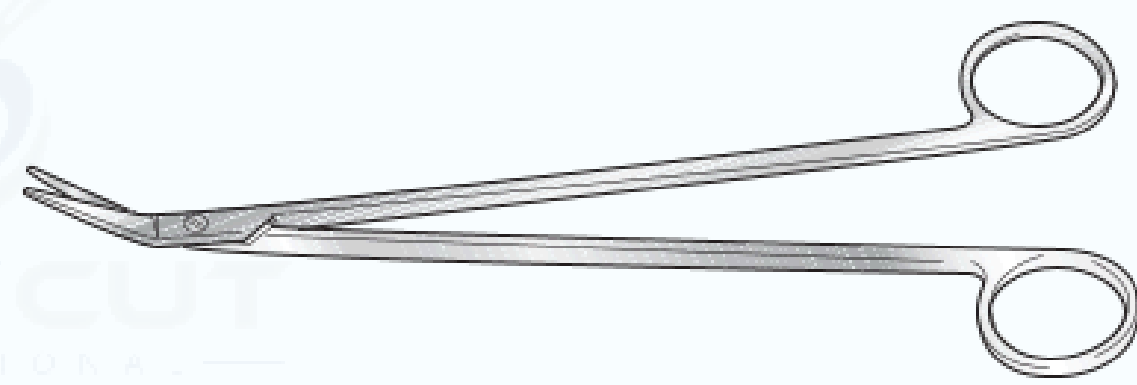
SC-GI/486	11mm jaw, 38mm long
SC-GI/487	14mm jaw, 48mm long
SC-GI/488	17mm jaw, 60mm long
SC-GI/489	27mm jaw, 70mm long

Curved

SC-GI/483	11mm jaw, 38mm long
SC-GI/484	14mm jaw, 48mm long
SC-GI/485	17mm jaw, 60mm long
SC-GI/490	27mm jaw, 70mm long

Potts Scissors

Satinfinish, 190mmlong



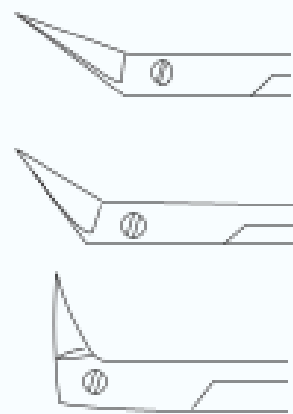
SC-THO/019	Angled on flat 45°
SC-THO/020a	Angled to side 45°
SC-THO/020b	Acute angle to side

Potts Diethrich Scissors

Supercut, 190mmlong

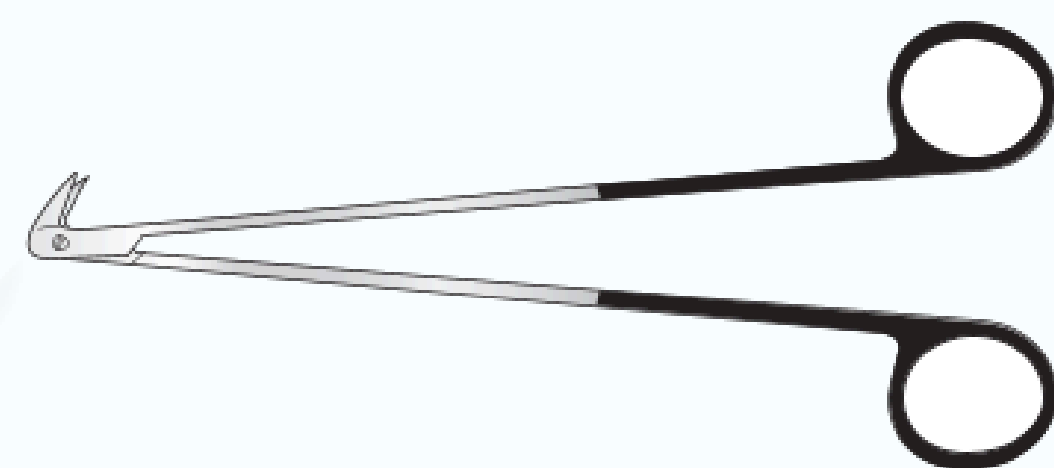


S C-T H O/07 8	25° angled on side
S C-T H O/07 9	45° angled on side
SC-THO/080	90° angled on side



Diethrich Circumflex Artery Scissors

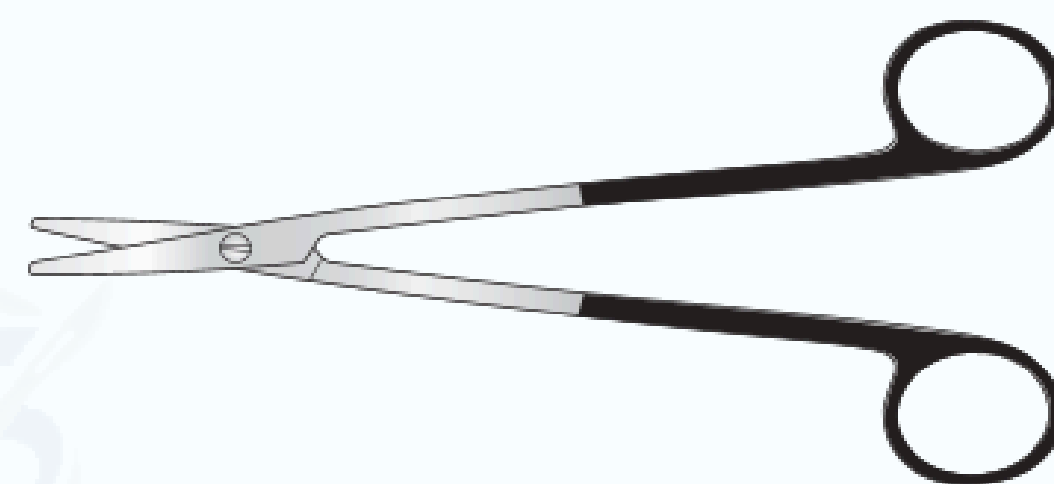
Supercut, 175mm long



S C-T H O/07 7	125° angled on side
----------------	---------------------

Boyd Scissor

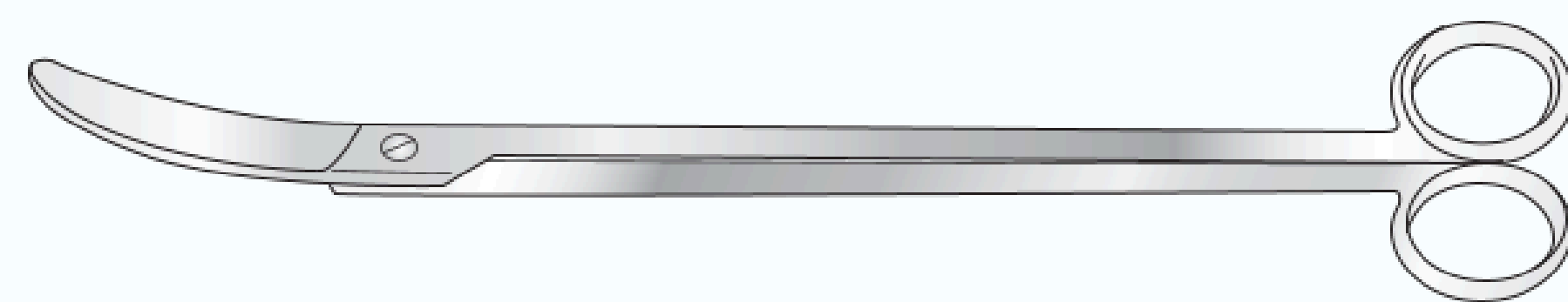
Supercut, slight curve



S C-T H O/0 47	180mm long
----------------	------------

Lobectomy Scissors

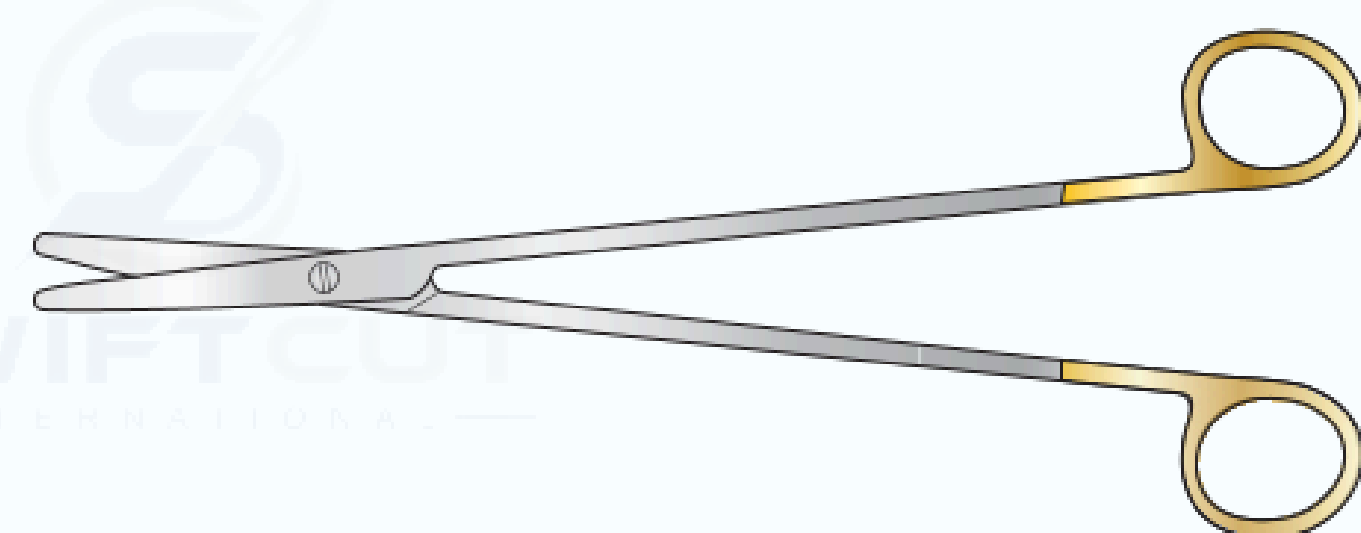
Curved on flat



SC-THO/001b	305mm long
-------------	------------

Nelson Lobectomy Scissor

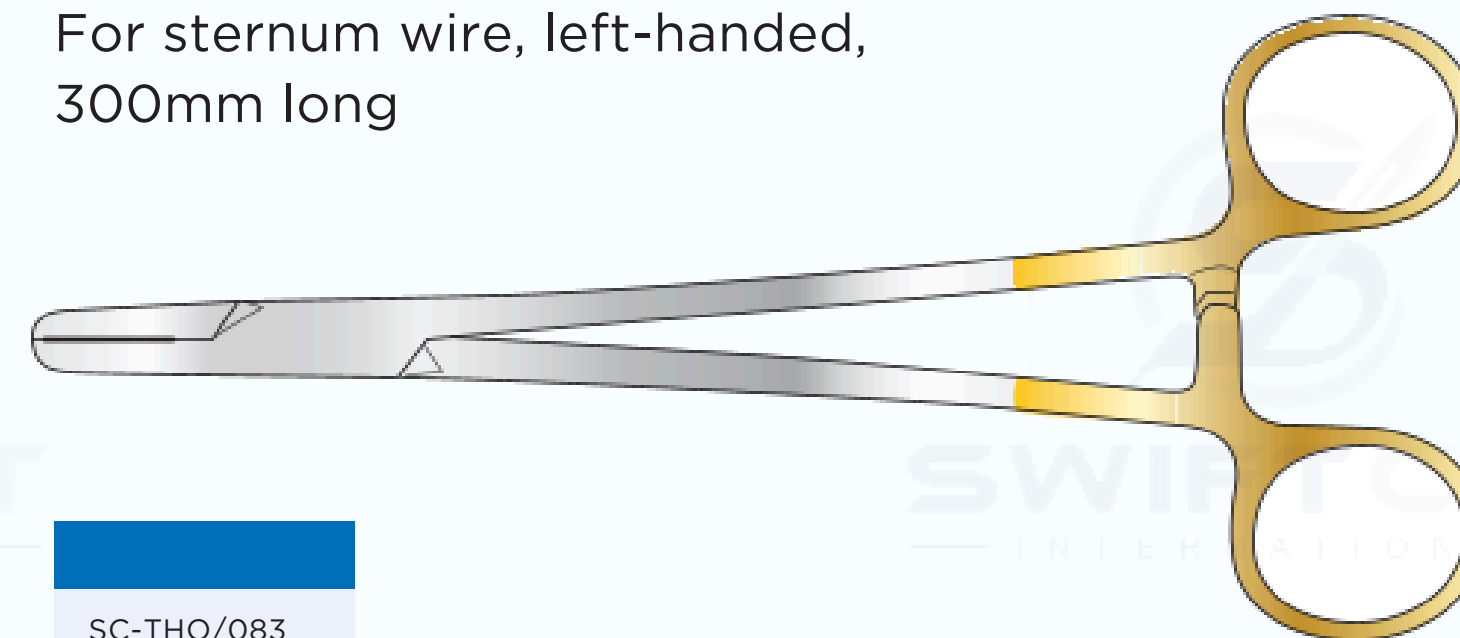
Tungsten carbide, curved on flat, 230mm long



SC-THO/057	
------------	--

Needle Holder and Wire Twister

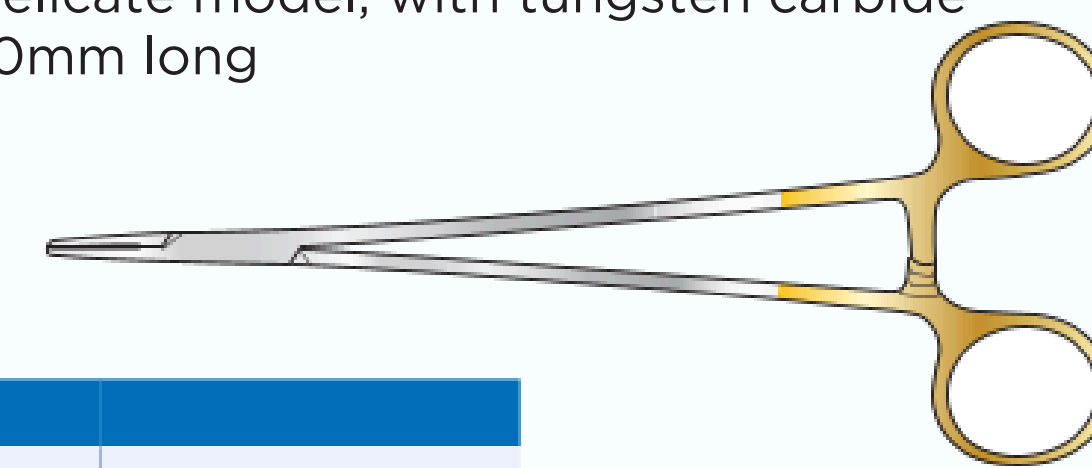
For sternum wire, left-handed, 300mm long



SC-THO/083

Rochester Needle Holder

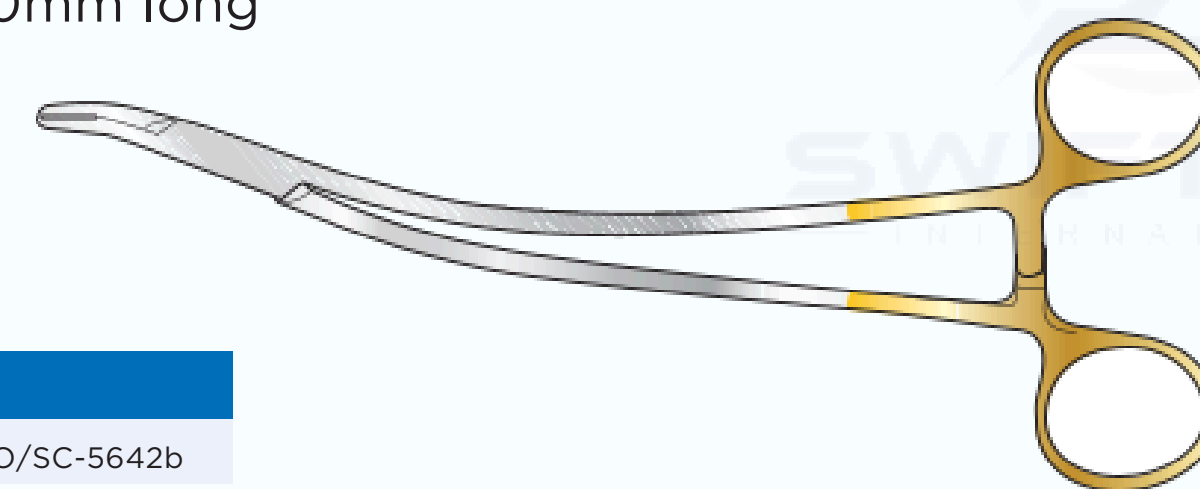
Light, delicate model, with tungsten carbide jaws 190mm long



SC-THO/082	
SC-THO/082a	Left-handed

Stratte Needle Holder

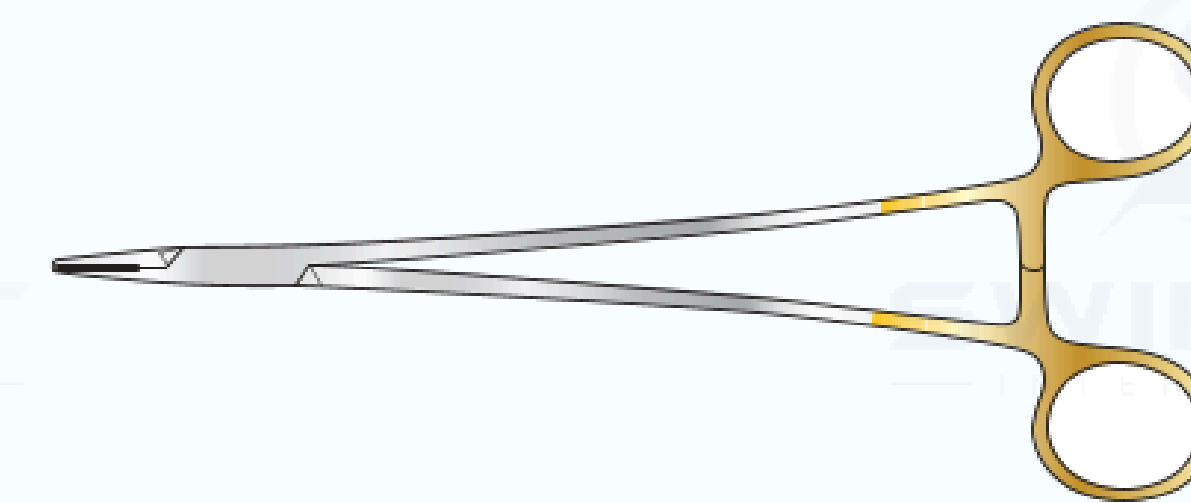
210mm long



THO/SC-5642b

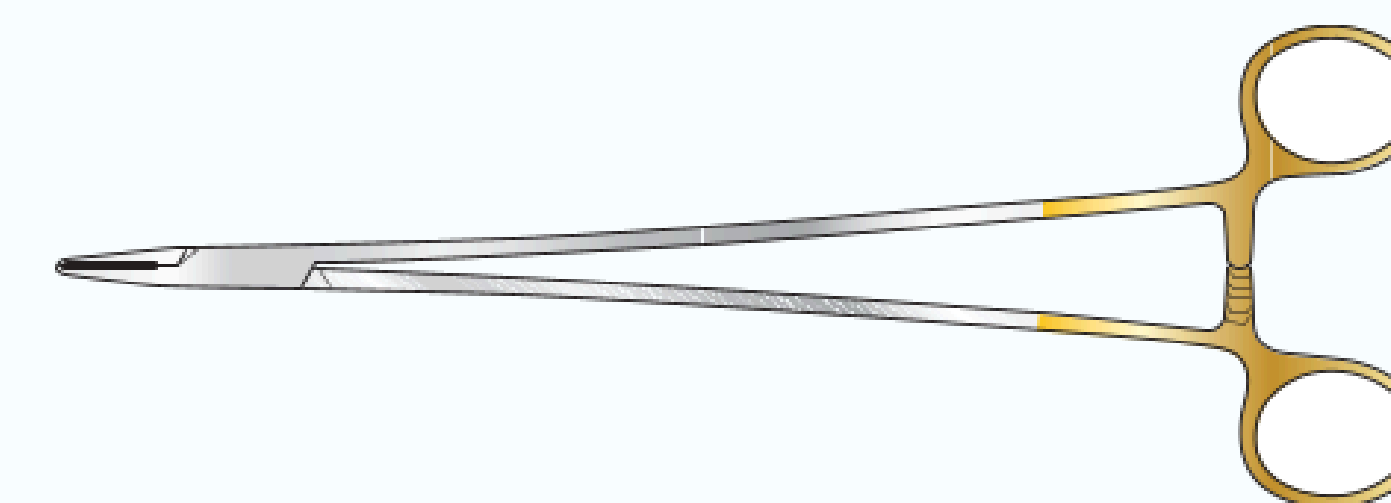
Julian Needle Holder

Light, delicate model, with tungsten carbide jaws 220mm long



SC-THO/081	
SC-THO/081a	Left-handed

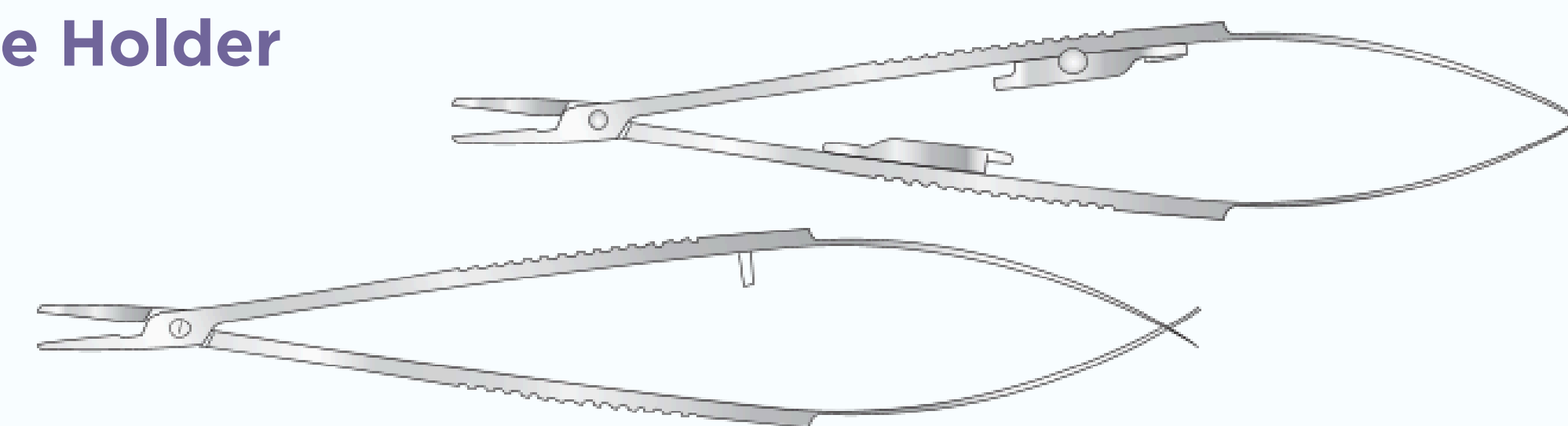
DeBakey Needle Holder



THO/SC-5642a	250mm long
SC-GI/502A	165mm very delicate
SC-GI/502	180mm tungsten carbide
SH003944	260mm long straight with tungsten carbide inserts
SC-5642A	240mm long
SC-GI/036BM	Tungsten carbide delicate 230mm long
SC-GI/037BM	Tungsten carbide delicate 250mm long
SC-GI/038BM	Tungsten carbide delicate 305mm long

Castroviejo Needle Holder

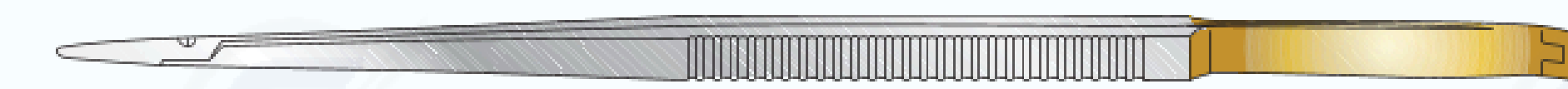
SC-OP/021	140mm long, with catch
SC-OP/020	140mm long, without catch



Diamond dust jaws

SC-THO/060	180mm long, without catch
SC-THO/061	200mm long, without catch
SC-THO/062	215mm long, without catch

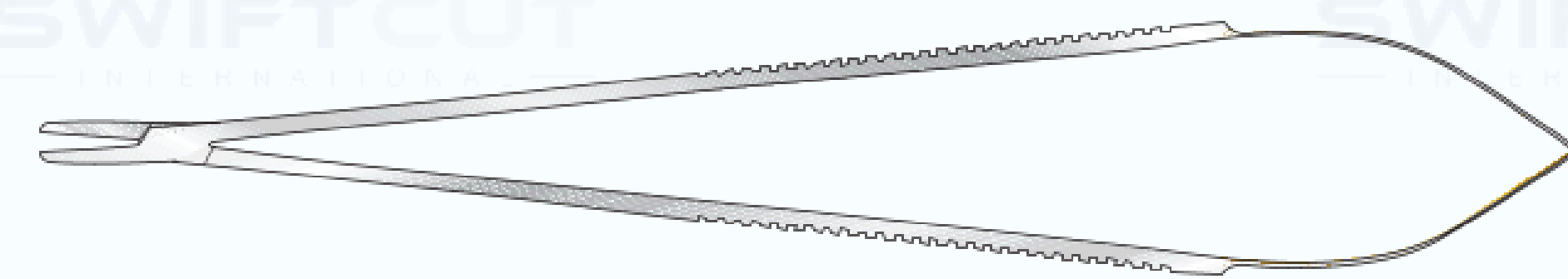
ALSO AVAILABLE WITH CATCH - ADD SUFFIX CTH TO



Tungsten carbide jaws

SC-THO/058a	180mm long
SC-THO/058	200mm long
SC-THO/059	215mm long

ALSO AVAILABLE WITH CATCH - ADD SUFFIX CTH TO



Blanco Valve Leaflet Retractor

280mm long

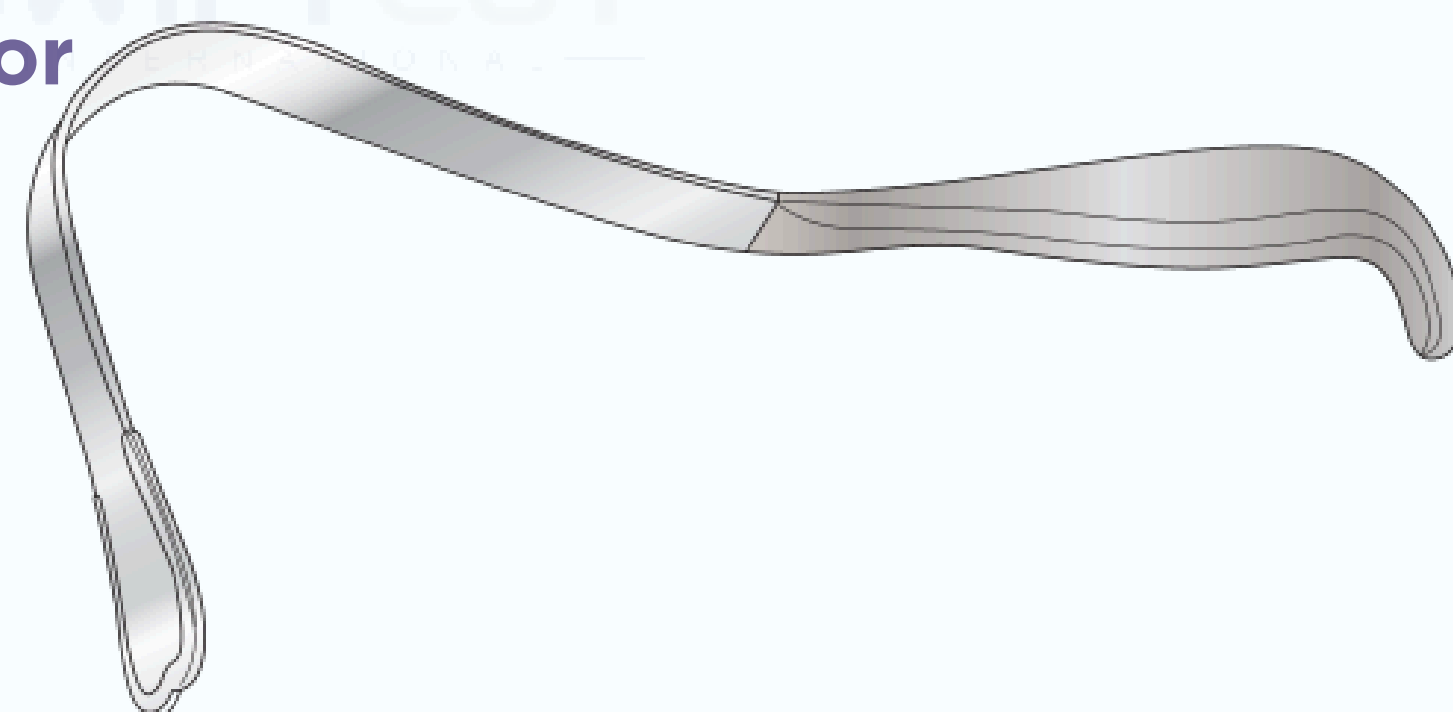
SC-THO/041



Harrington Splanchnic Retractor

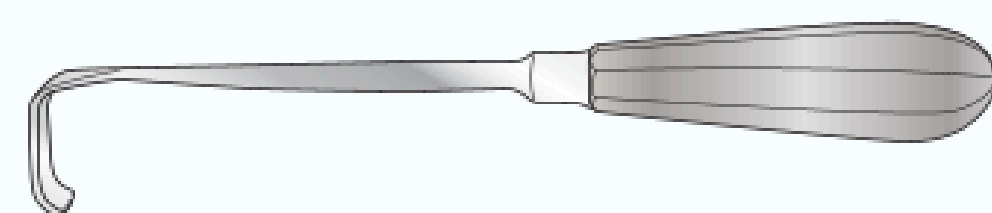
Small size, end of blade
38mm wide x 127mm deep
satin finish handle

SC-THO/011 320mm long



Brocks Erecton Spinal Back End Retractor

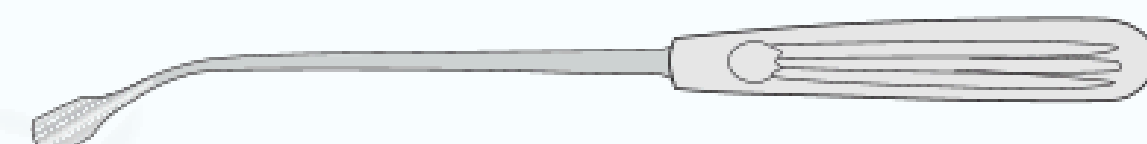
215mm long



SC-THO/054 13 x 28mm

Cleland Valve Leaflet Retractor

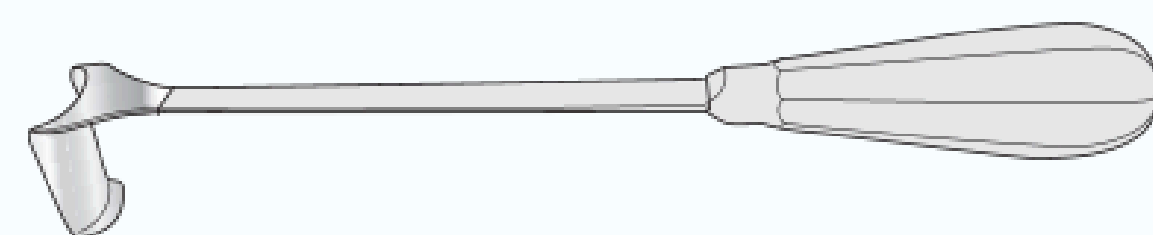
250mm long



SC-THO/097

Ross Retractor

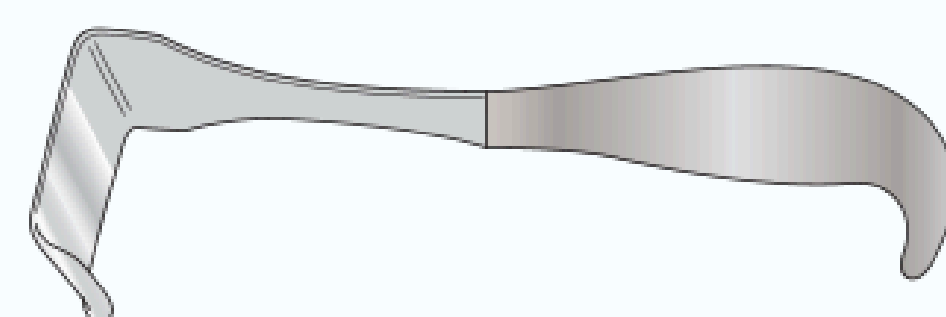
250mm long



SC-THO/089	16mm x 15mm blade	SC-THO/089c	27mm x 13mm blade
SC-THO/089a	23mm x 13mm blade	SC-THO/089d	27mm x 27mm blade
SC-THO/089b	24mm x 16mm blade	SC-THO/089e	25mm x 38mm blade

Tudor Edwards Retractor

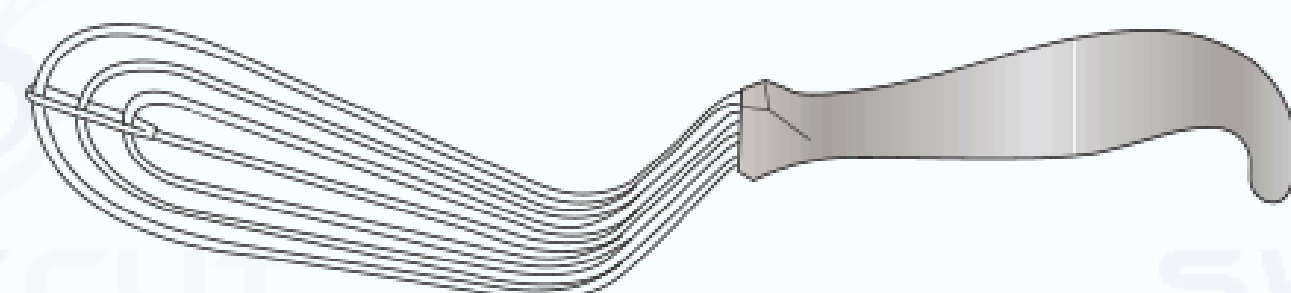
25mm Wide



SC-THO/013 205mm long

Allison Lung Retractor

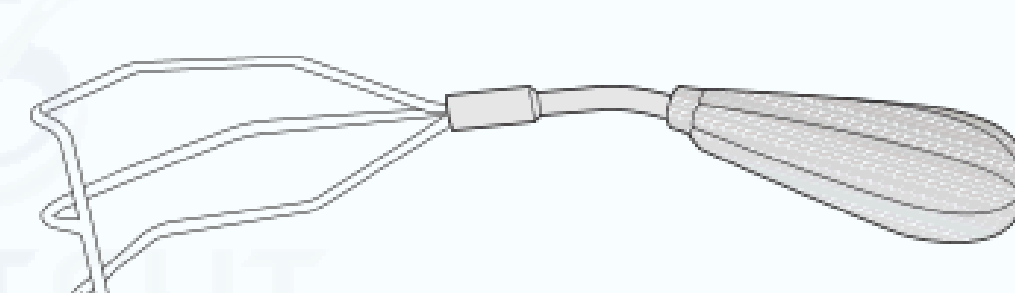
Satin finish handle



SC-THO/012a	Infant
SC-THO/012b	Child, 280mm blade
SC-THO/012c	Adult, 300mm blade

Cooley Atrial Retractor

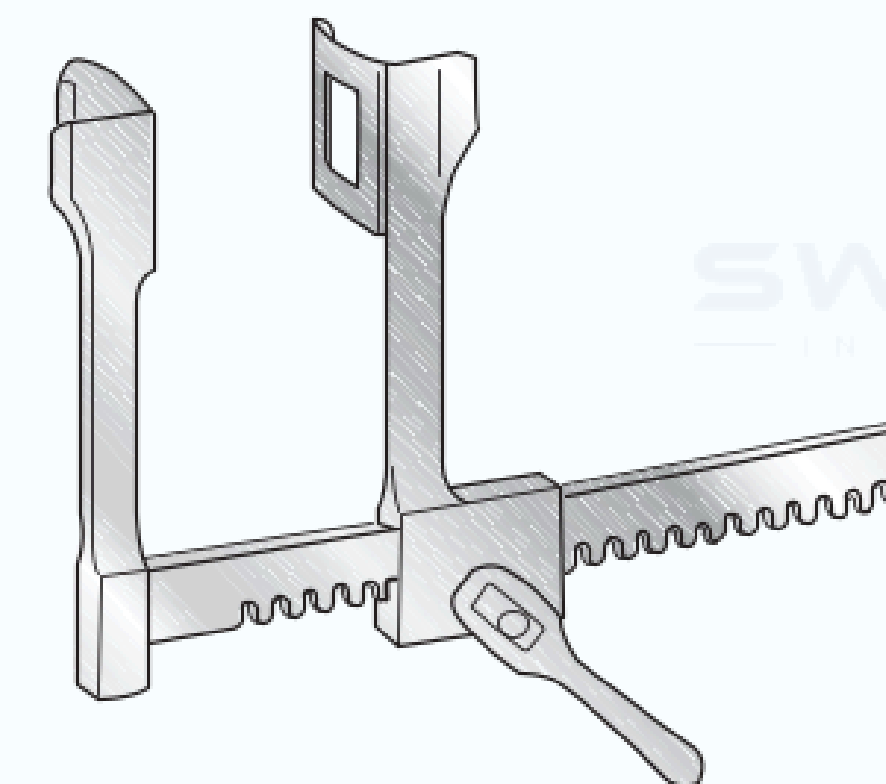
260mm overall length



SC-THO/046	Right
SC-THO/046a	Left

Finochietto Rib Spreader

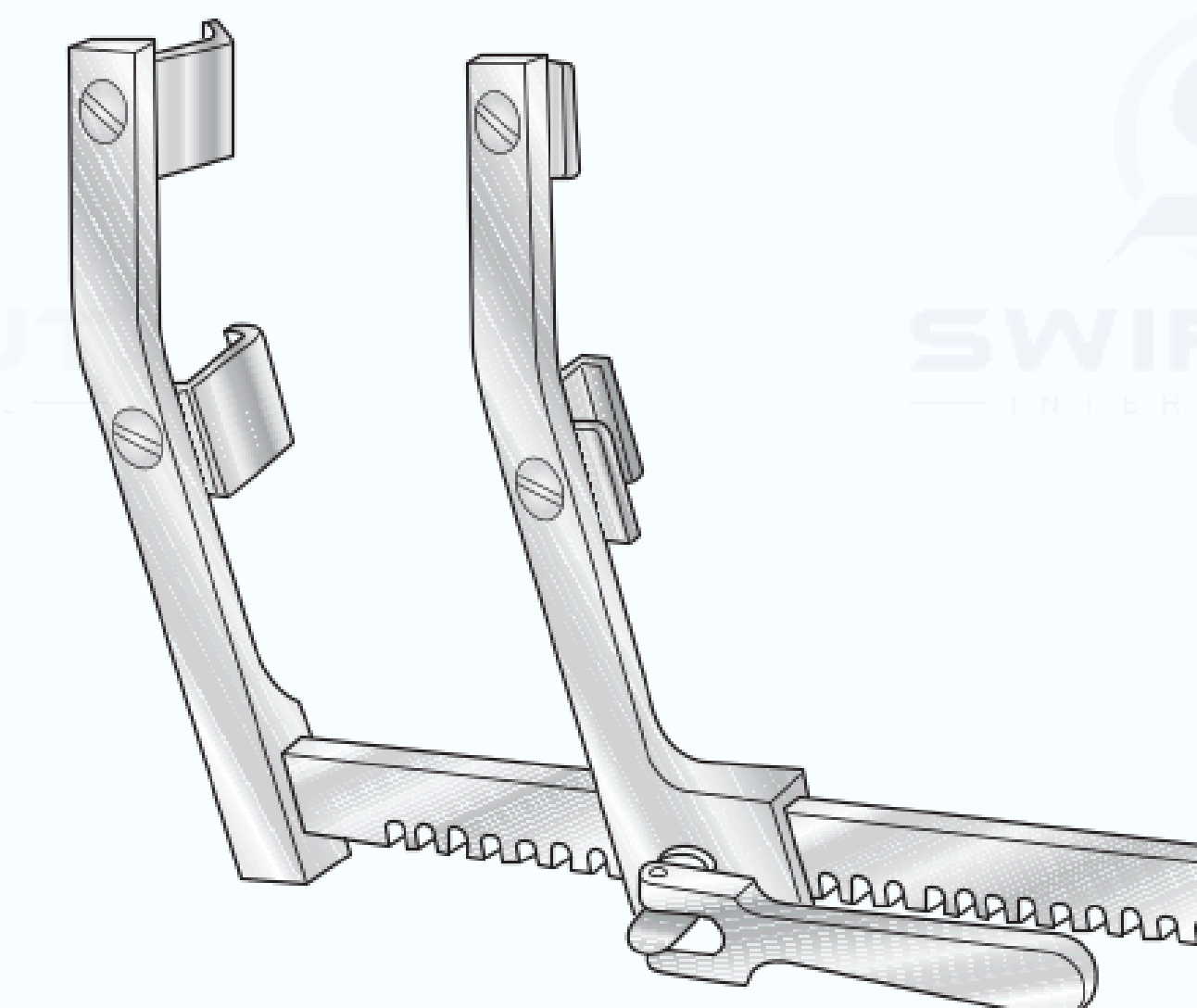
Straight arms, 20mm square blades



SC-THO/006	Infant, maximum opening 80mm x 60mm long
SC-THO/037	Adult, maximum opening 200mm, blades 44 x 65mm

Morse-Favaloro Rib Spreader

Curved arms, 275mm long



SC-THO/103	Swivel blades 215mm long
SC-THO/103a	Swivel blades 185mm long

IMA Rib Spreader

Converts left or right

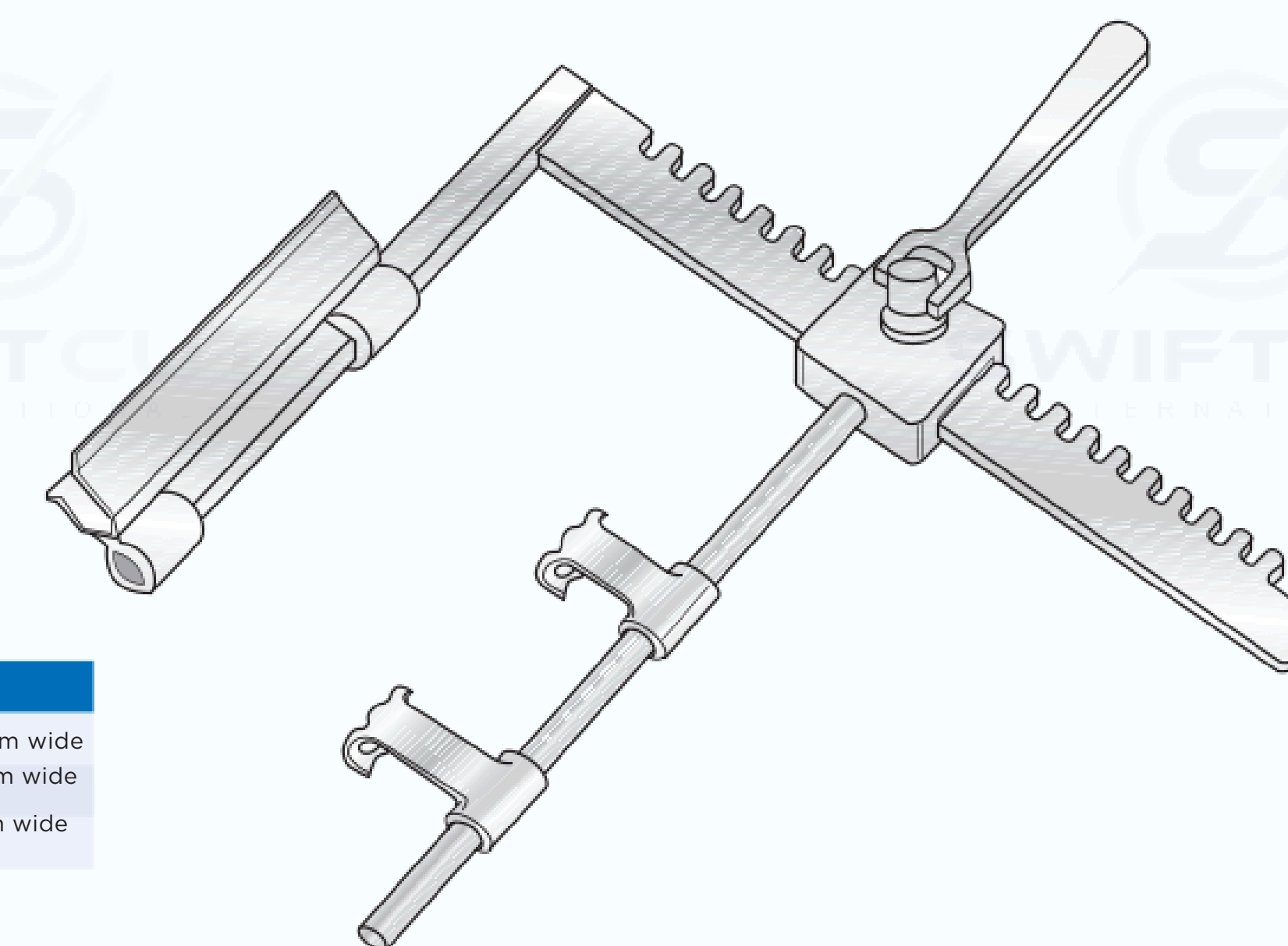
SC-THO/102	Standard frame only
SC-THO/102a	Ministernotomy frame only
SC-THO/102b	Complete, standard, 1 x frame, 1 x 100mm long x 20mm wide U shaped blade, 1 x claw blades 28mm and 32mm deep
SC-THO/102c	Complete, ministernotomy, 1 x frame, 1 x 30mm long x 20mm wide U shaped blade, 1 x claw blades 43mm and 50mm deep

Claw blade only

SC-THO/102d	28mm deep
SC-THO/102e	32mm deep
SC-THO/102f	38mm deep
SC-THO/102g	43mm deep
SC-THO/102h	50mm deep

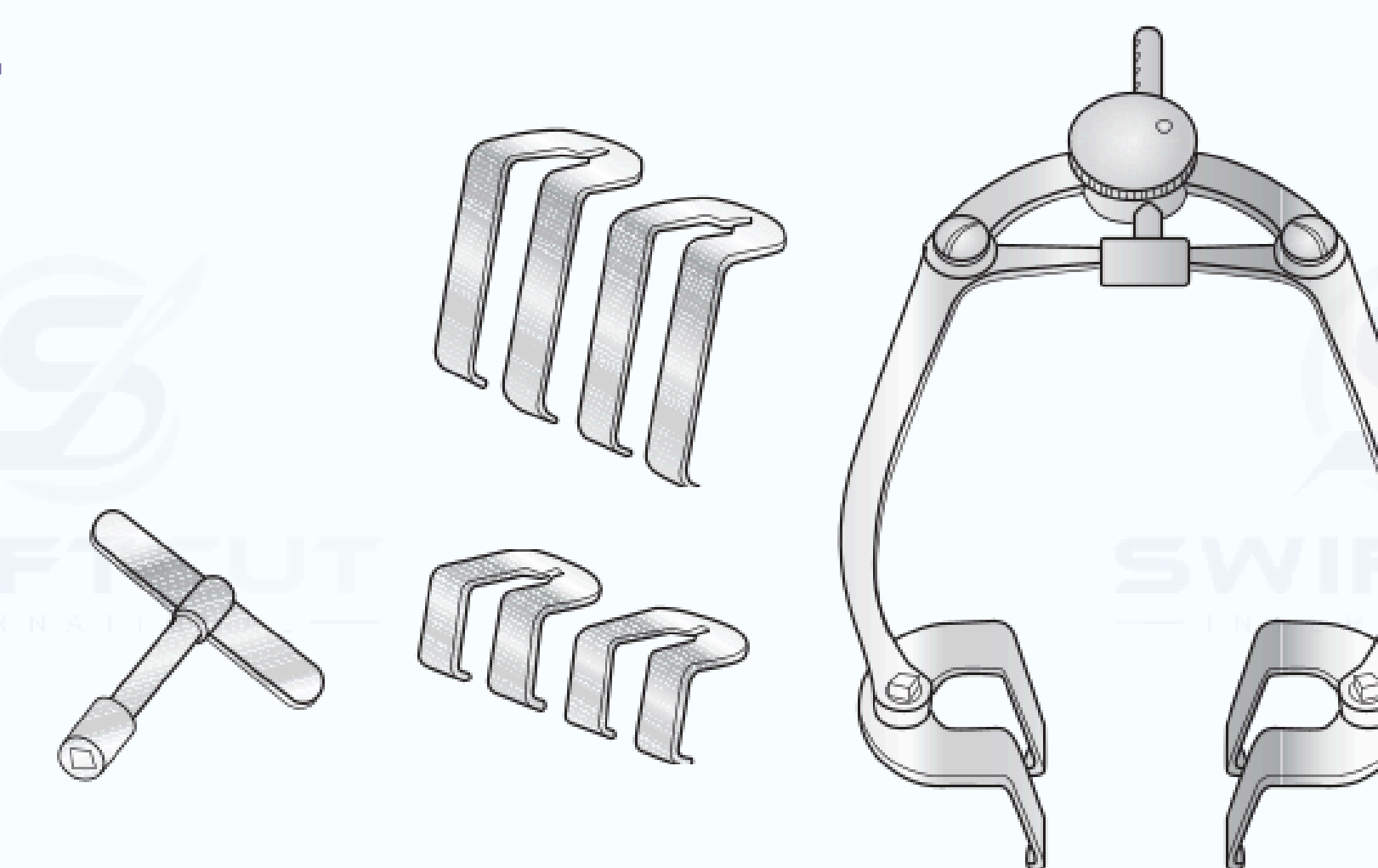
U shaped blade only

SC-THO/102i	100mm long x 20mm wide
SC-THO/102j	100mm long x 25mm wide
SC-THO/102k	30mm long x 20mm wide

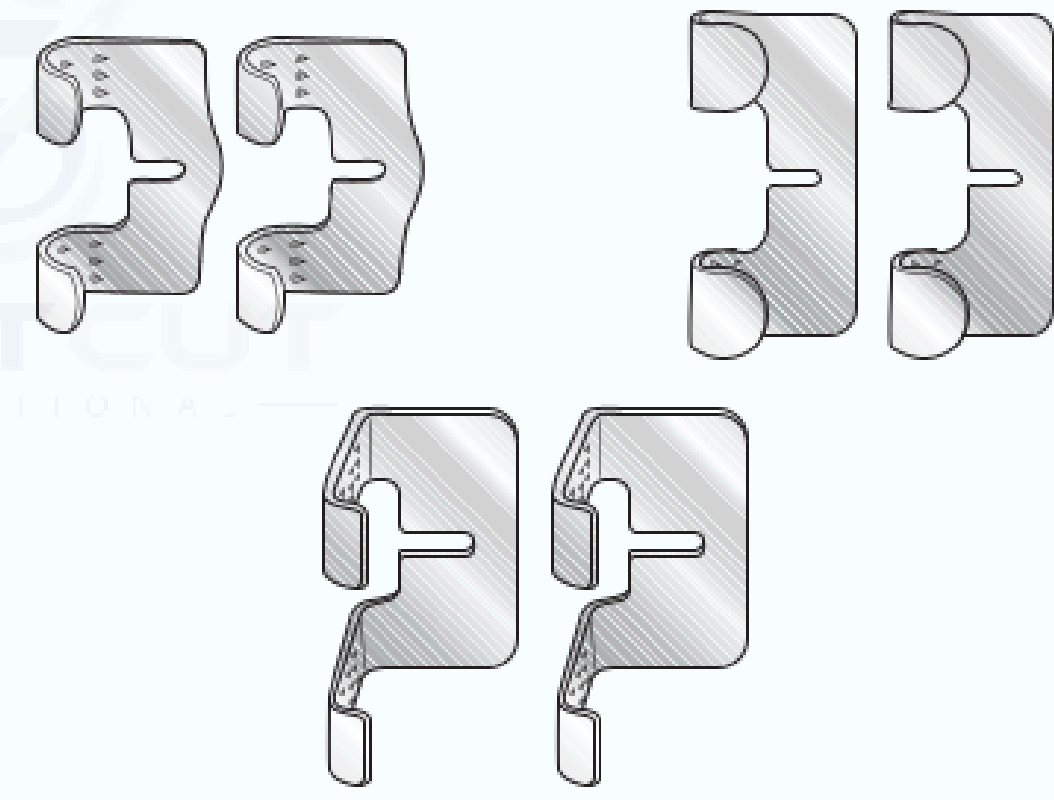
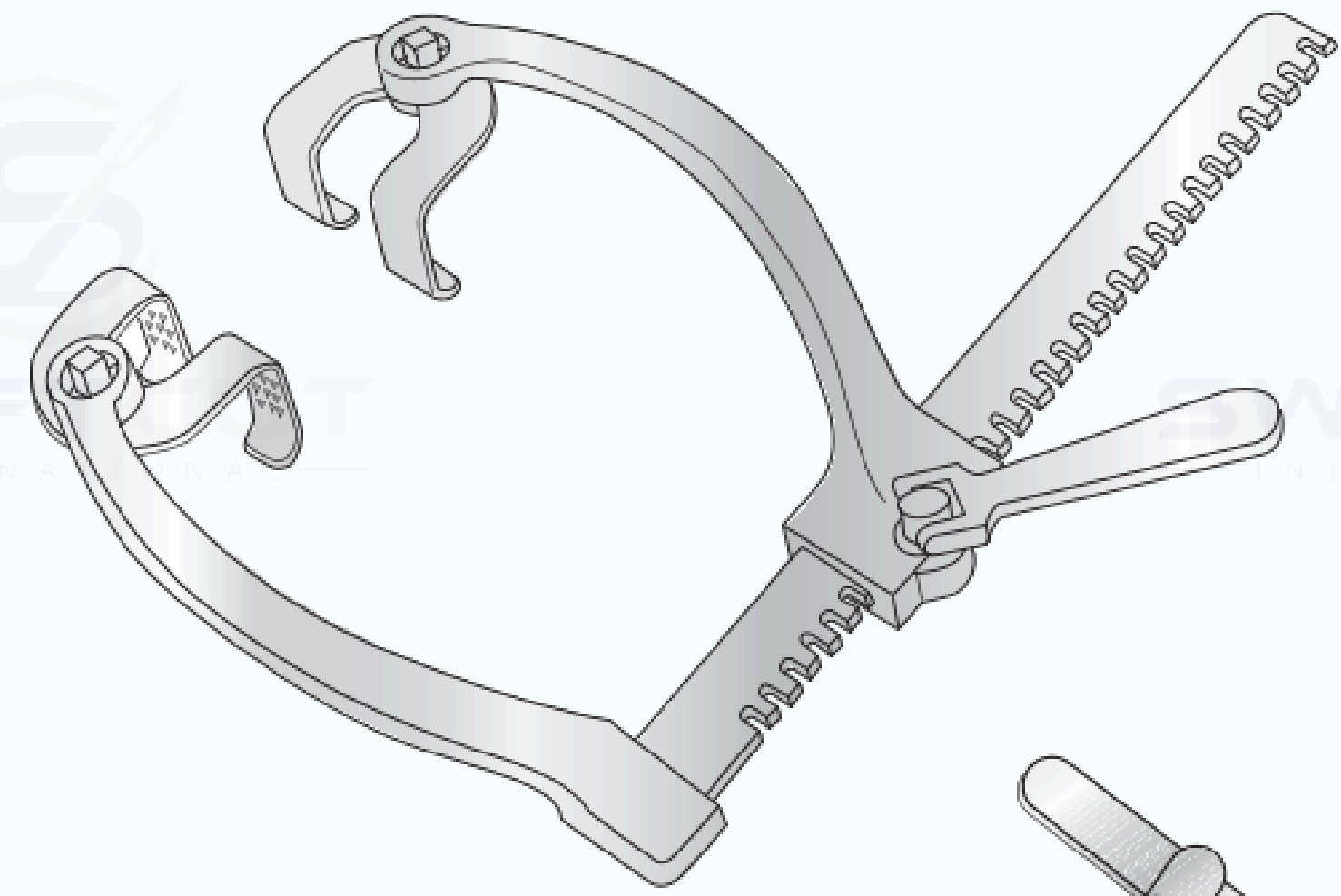


Price Thomas Rib Spreader

SC-THO/99	Complete with 3 pairs of blades, key, 250, 215, 68mm
SC-THO/99a	Blade only, 50mm x 38mm, pair
SC-THO/99b	Blade only, 50mm x 45mm, pair
SC-THO/99c	Blade only, 50mm x 65mm, pair
SC-THO/99d	Nut and bolt for blade only
SC-THO/99e	Frame only
SC-THO/99f	Key only



Sellors Rib Spreader



SC-THO/100	Complete with 3 pairs of blades, key,
SC-THO/100a	Blade only, 50mm x 38mm, pair
SC-THO/100b	Blade only, 50mm x 45mm, pair
SC-THO/100c	Blade only, 50mm x 65mm, pair
SC-THO/100d	Frame only
SC-THO/100e	Nut and bolt for blade only
SC-THO/100f	Key only

Harefield sternal blade only, pair

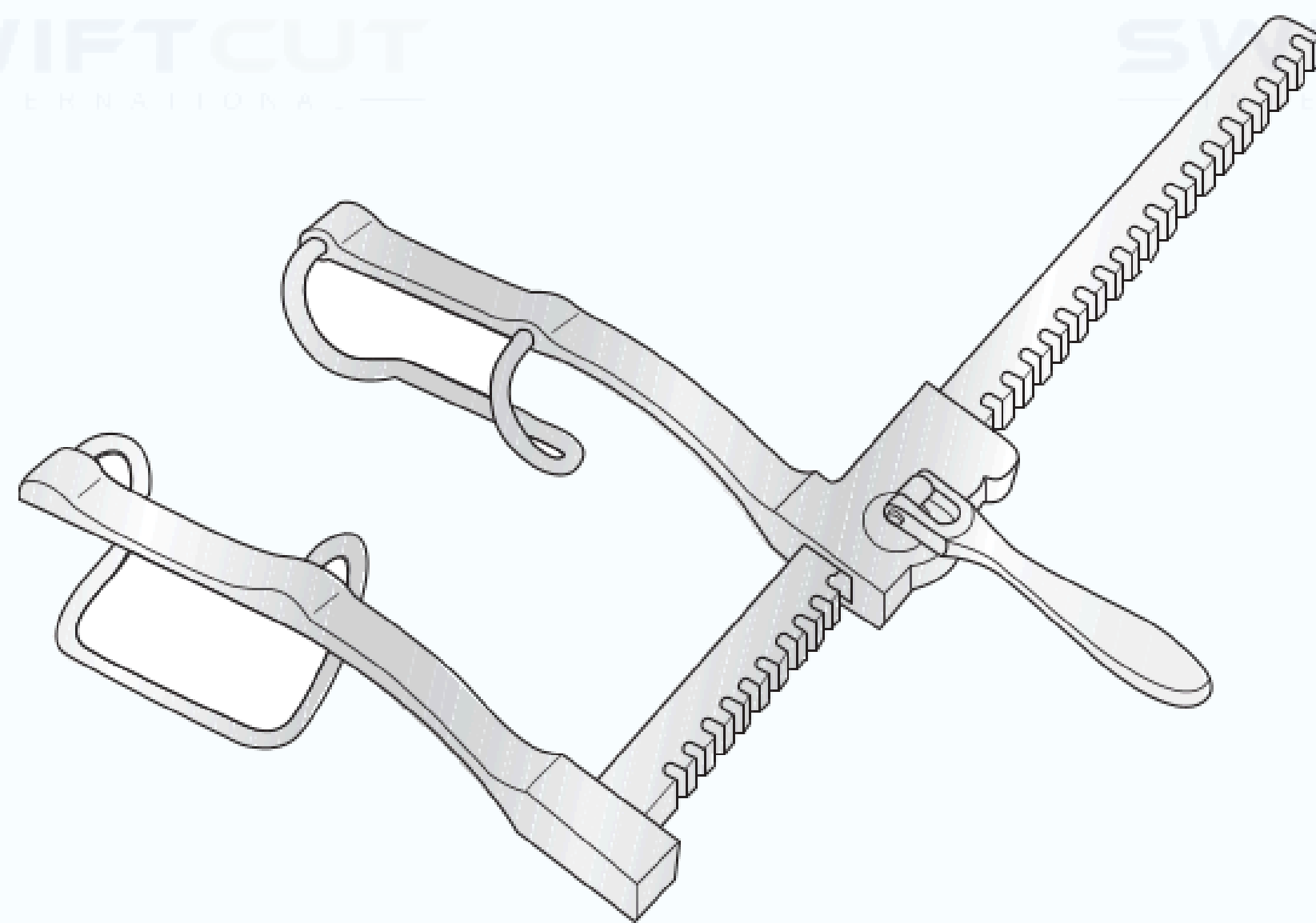
SC-THO/100g	70 x 30mm
SC-THO/100h	120 x 30mm

Harefield scapula blade only, pair

SC-THO/100i	75 x 70mm
-------------	-----------

Ronald Edwards Rib Spreader

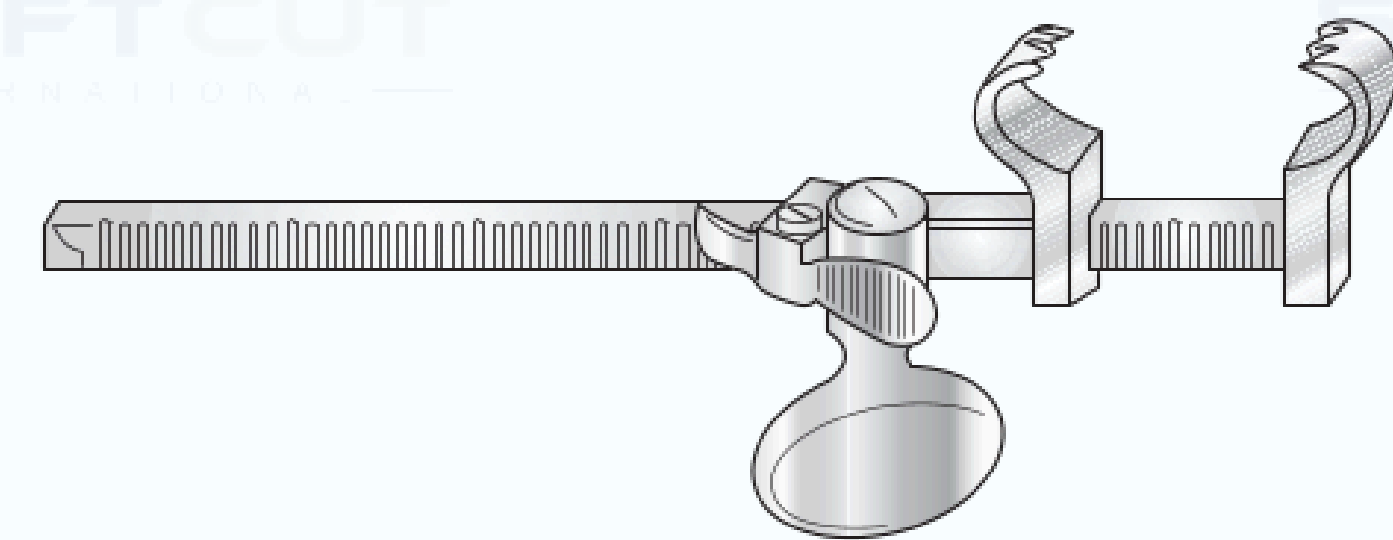
Curvedarms, fenestrated



SC-THO/104	Infant, 100mm, 25mm x 30mm blades
SC-SH-5158	Child, 150mm, 30mm x 50mm blades
SC-SH-5720	Adult, 245mm, 65mm x 75mm blades

Bailey Rib Approximator and Spreader

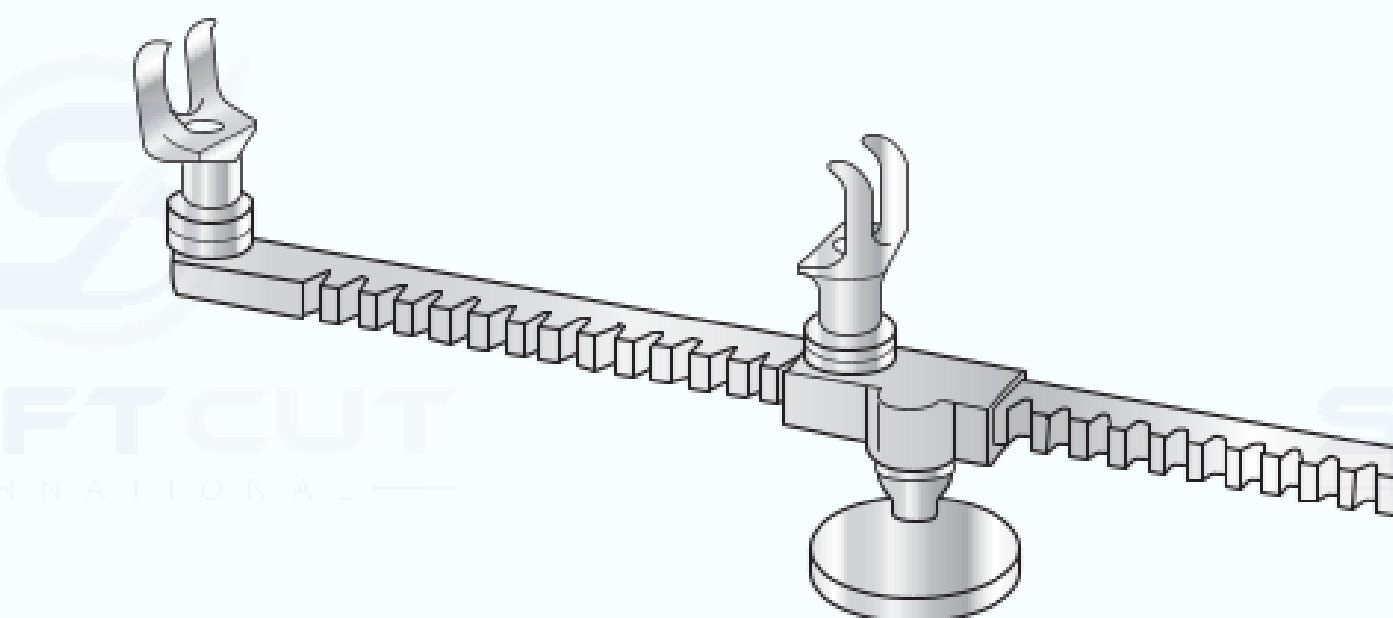
Combined, satin finish



SC-THO/003	160mm long
------------	------------

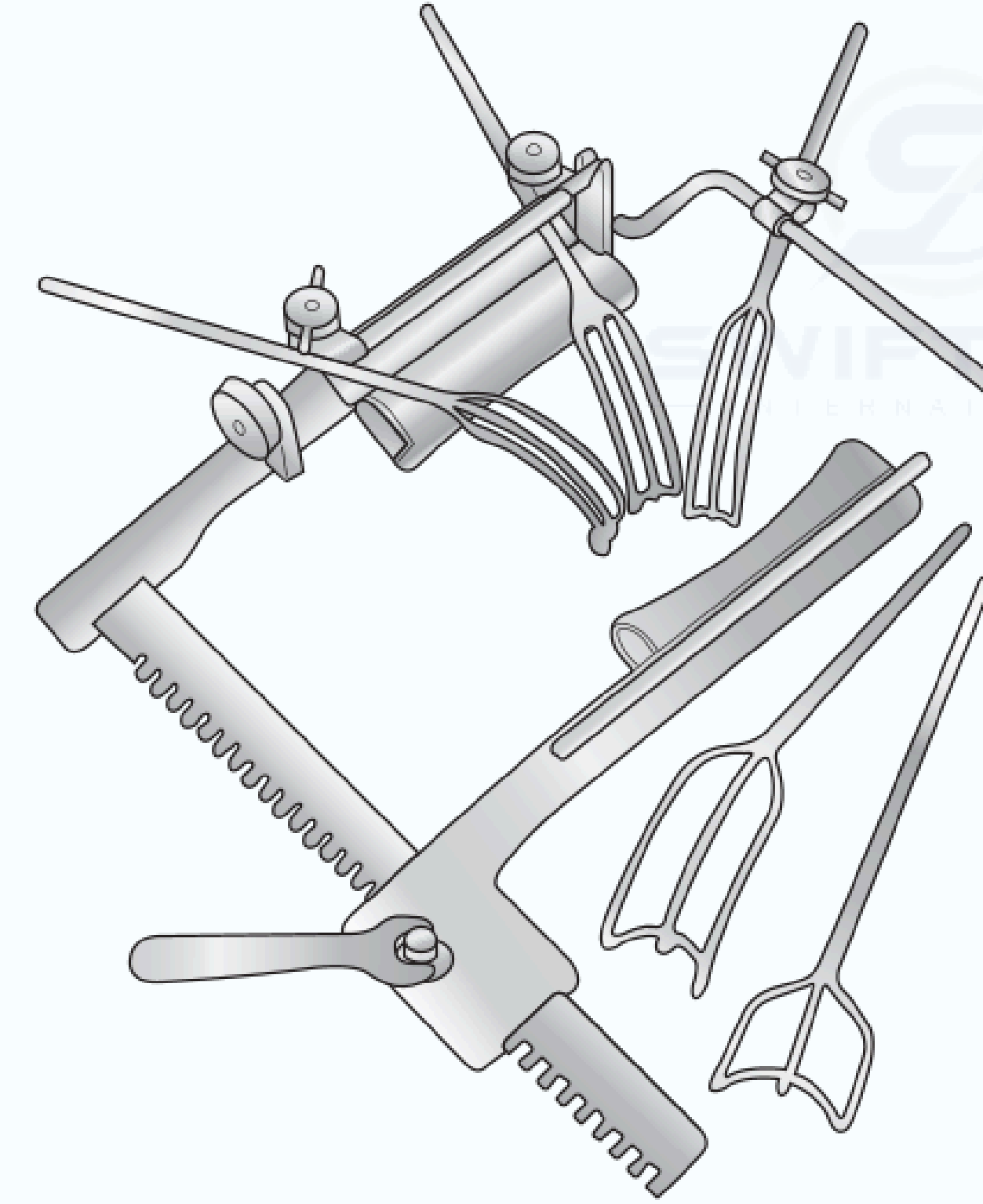
Sellors Rib Approximator and Spreader

Combined action, satin finish



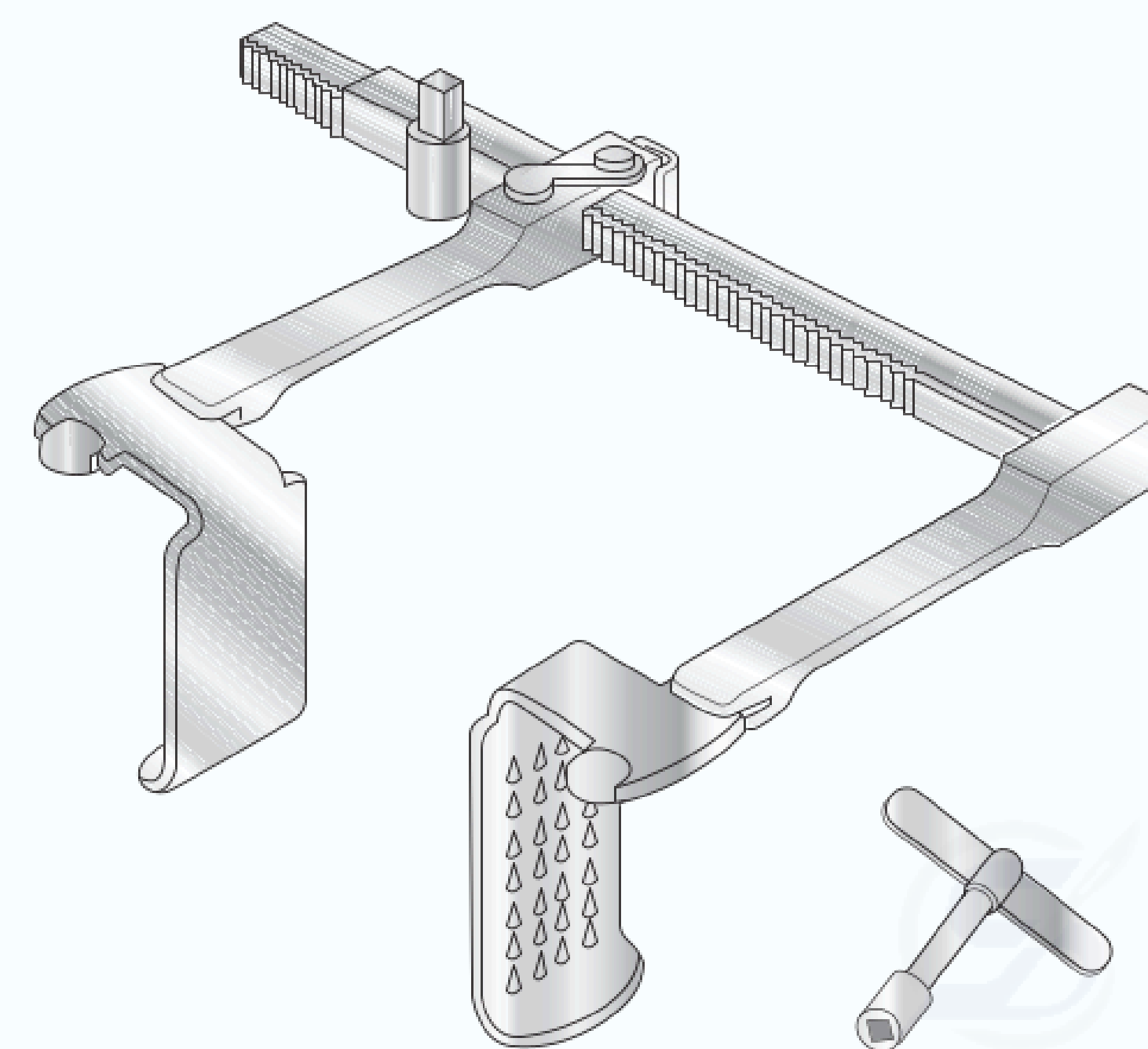
SC-THO/002	195mm long
------------	------------

Cooley Rib Spreader



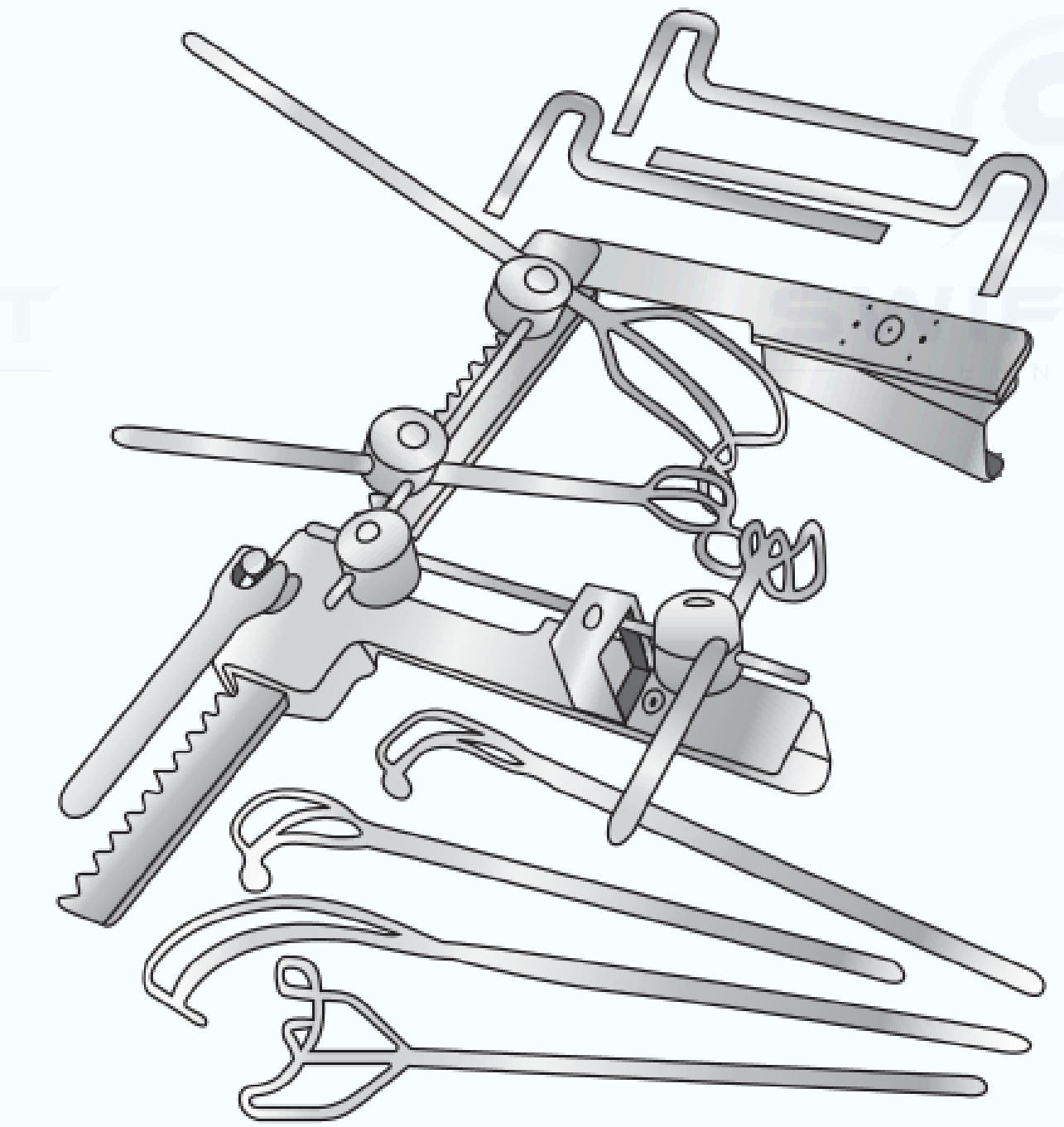
SC-43950-50	Adult, 40mm x 110mm blades, complete with cosgrove mounting bars
SC-43950-90	Adult, 40mm x 110mm blades, complete with cosgrove mitral valve retractor attachment, 5 x blades, 3 x clamp, 1 x side arm

Tudor Edwards Rib Spreader



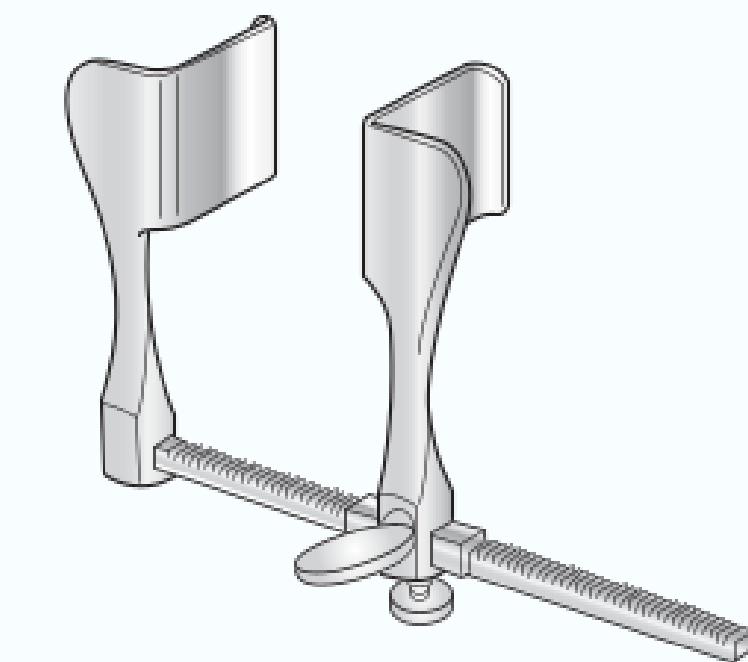
SC-THO/101	Complete, 2 of each blade, plus key
SC-THO/101a	25mm blade only, pair
SC-THO/101b	50mm blade only, pair
SC-THO/101c	75mm blade only, pair

Wells Rib Spreader



SC-44080-65	Small rake retractor on shaft
SC-44080-80	Frame only, 90mm wide x 25mm deep blades
SC-44080-90	Complete, frame, pillar clamp, 4 x ball clamps, 2 x mounting bars, hex keys, 1 x tricuspid rake ret, 2 x small, medium and large rake ret

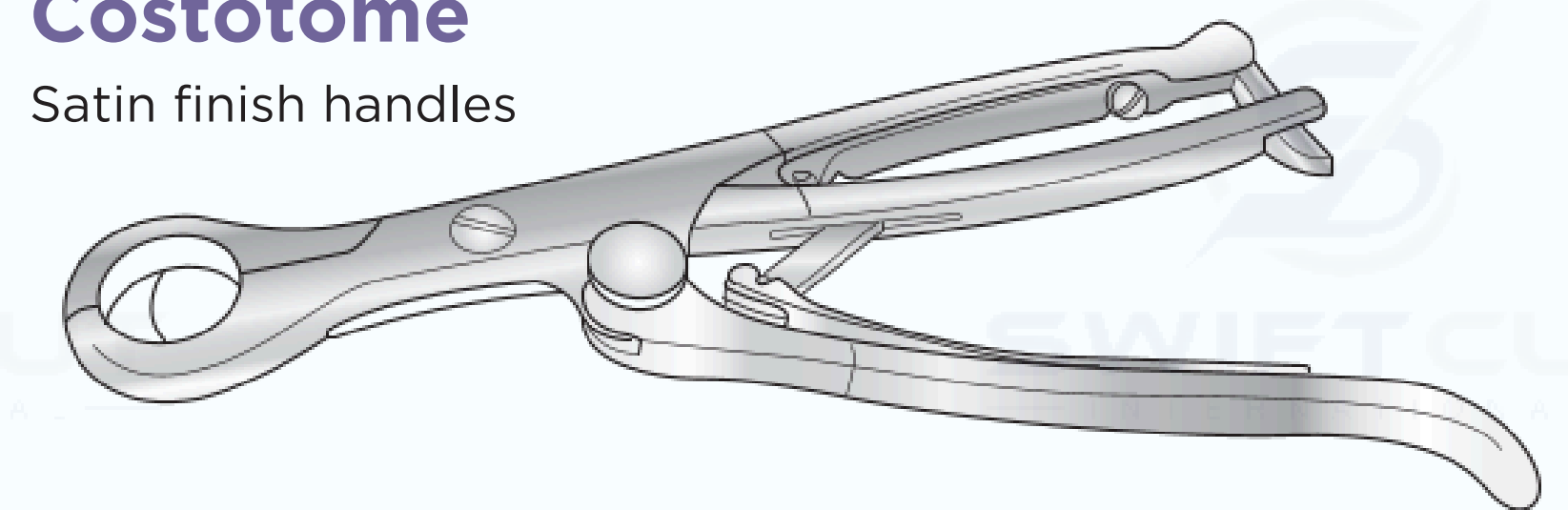
Tuffier Rib Spreader



SC-THO/005	Blades 25mm deep x 19mm wide
------------	------------------------------

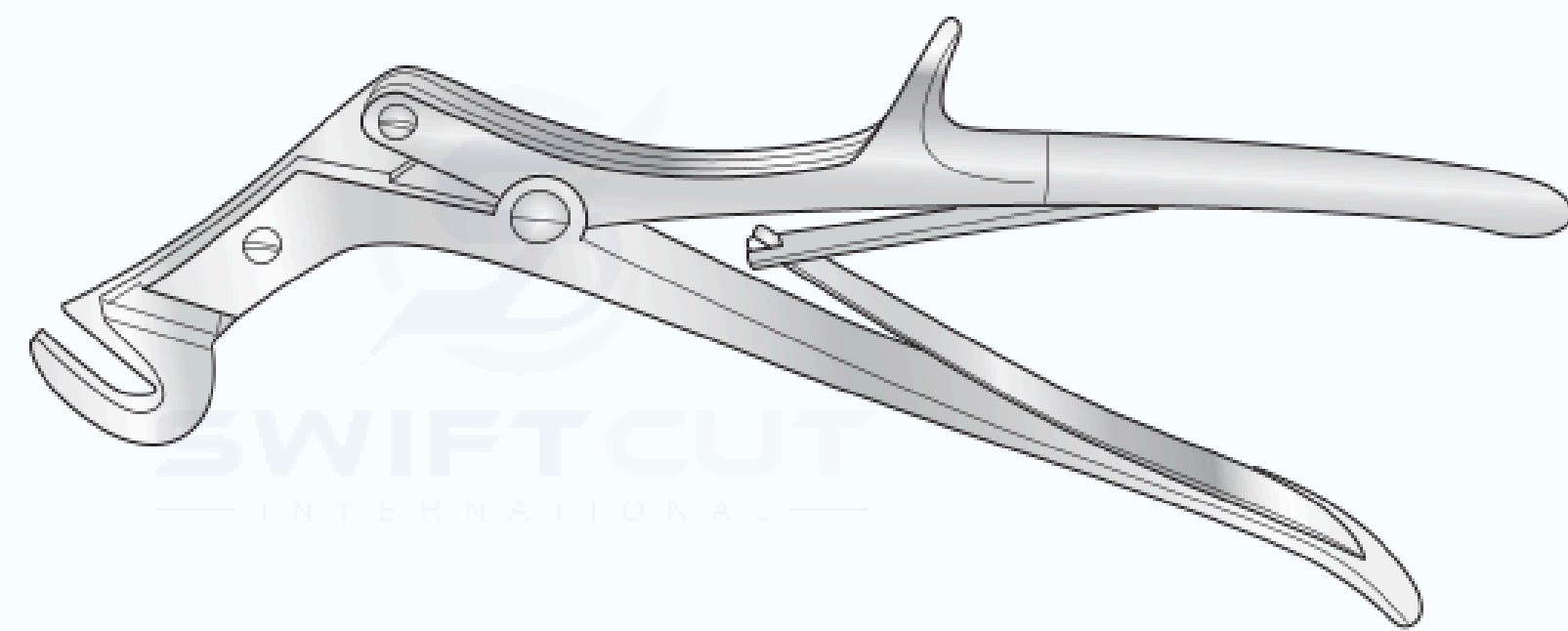
Vehmehren Rib Holder and Costotome

Satin finish handles



SC-THO/010	240mm long
------------	------------

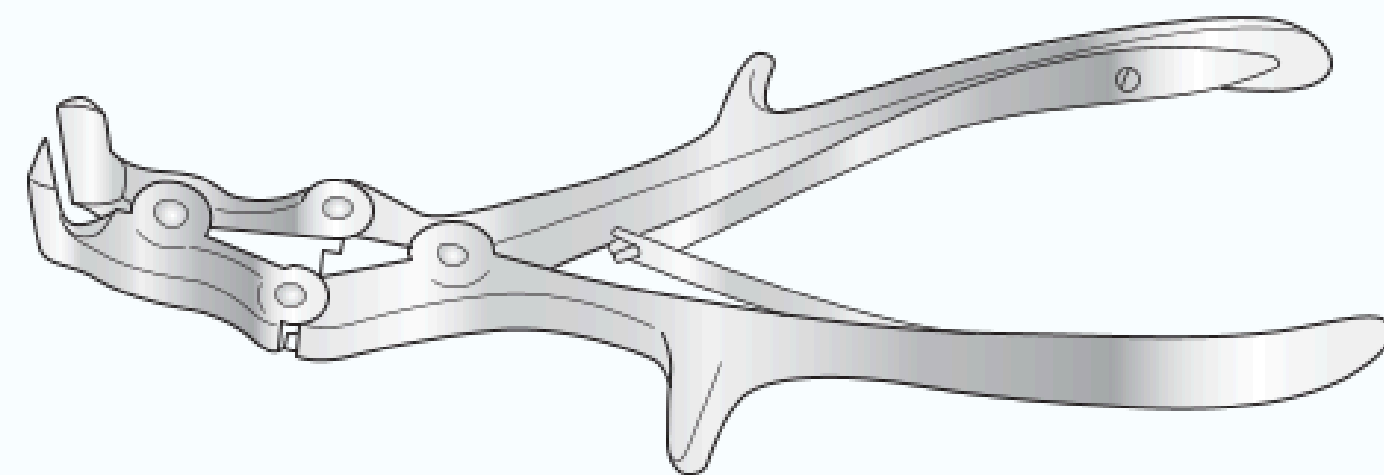
Giertz Rib Shears



S C-T H O/O 41	270mm long
----------------	------------

Tudor Edwards Rib Shears

Compound action, anterior



S C-T H O/O 42	235mm long
----------------	------------

Mayo Lung Forceps

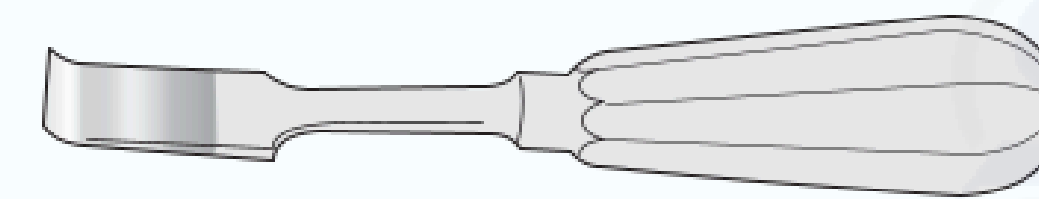
Fenestrated, semi-circular jaw, satin finish



SC-THO/014	230mm long
------------	------------

Tudor Edwards Periosteal Elevator

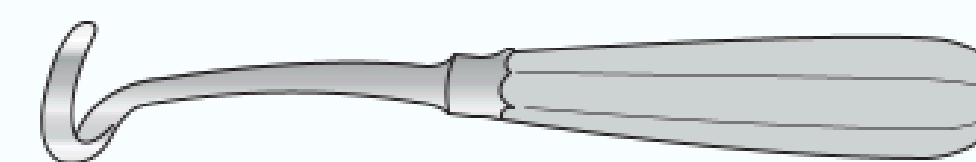
First rib, 175mm long



SC-THO/009b	18mm wide
-------------	-----------

Doyen Periosteal Elevator

Satin finish handle



165mm long

SC-OR/N031	Right
SC-OR/N032	Left

180mm long

SC-OR/256	Right
SC-OR/255	Left

Blalock Hook

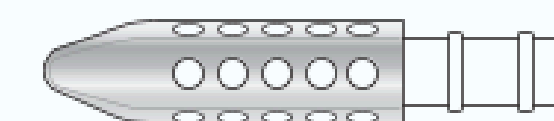
249mm long



S C-T H O/O 42	45° angle, 5mm tip
SC-THO/043b	90° angle, 5mm tip

Ross (Papworth) Ventricular Sucker

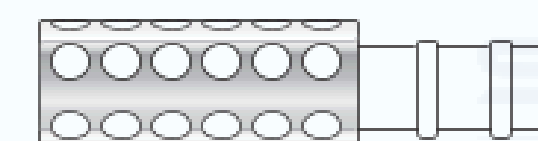
33mm long



SC-THO/PAP001	Bullet
---------------	--------

Ross (Papworth) Sump Sucker

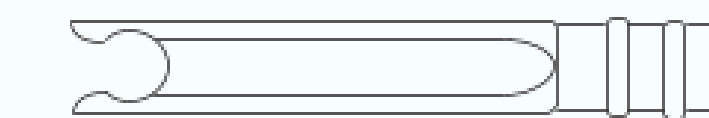
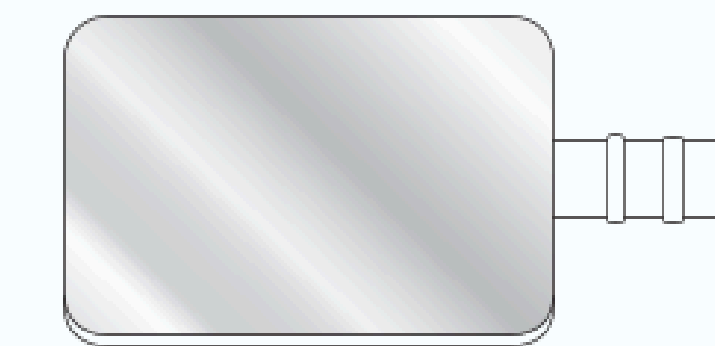
42mm long



SC-THO/PAP002	Round end
---------------	-----------

Ross (Papworth) Flat Sucker

42mm long



SC-THO/PAP003

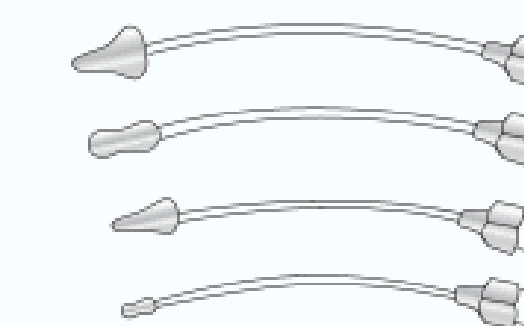
Ross Probe

200mm long



SC-THO/055	1mm
SC-THO/055a	1.5mm

Tibbs Arterial Cannula



GU pattern

SC-TIB/001	Set of four	SC-TIB/006	Large cone
SC-TIB/002	Large cone	SC-TIB/007	Large olive
SC-TIB/003	Large olive	SC-TIB/008	Small cone
SC-TIB/004	Small cone	SC-TIB/009	Small olive
SC-TIB/005	Small olive	SC-TIB/010	Set of four