

PROCTOLOGY

A focused selection of instruments for diagnostic and surgical procedures of the anorectal region. Includes proctoscopes, anosopes, sigmoidoscopes, biopsy forceps, hemorrhoidal clamps, ligators, and retractors. Designed to provide optimal visualization and access within confined anatomy while ensuring atraumatic tissue handling. Crafted from premium stainless steel with smooth, polished surfaces for patient comfort and reliable, long-term performance.



Officer Biopsy Forceps

With 8mm cup jaw, to use through a sigmoidoscope



SC-PR/001	Shaft length 430mm
-----------	--------------------

Yeoman Basket

Jawed to use through a sigmoidoscope



SC-PR/002a	Shaft length 250mm
SC-PR/002b	Shaft length 355mm
SC-PR/002c	Shaft length 430mm

Lloyd-Davis Sigmoidoscope

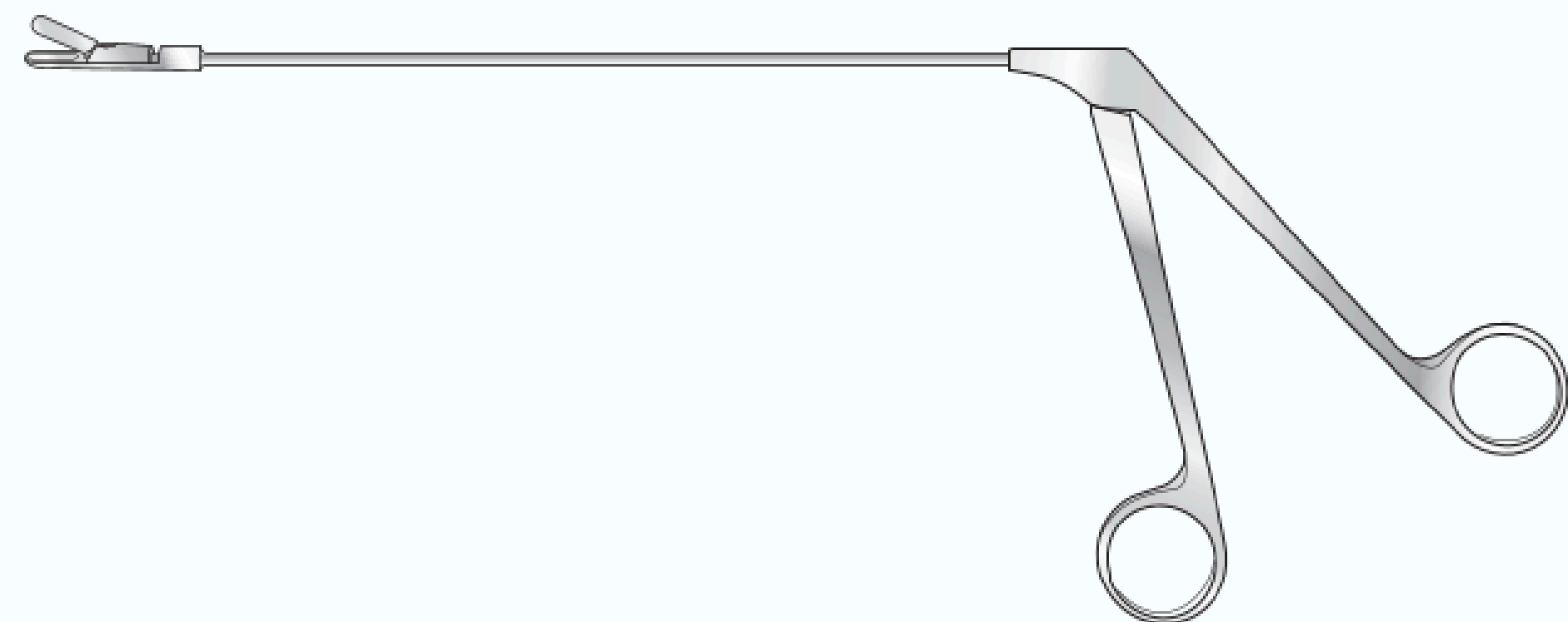
Biopsy forceps



SC-PR/020a	Shaft length 350mm
SC-PR/020b	Shaft length 450mm

Walton Rectal Biopsy Forceps

With laterally angled shanks



SC-PR/022	Shaft length 203mm
-----------	--------------------

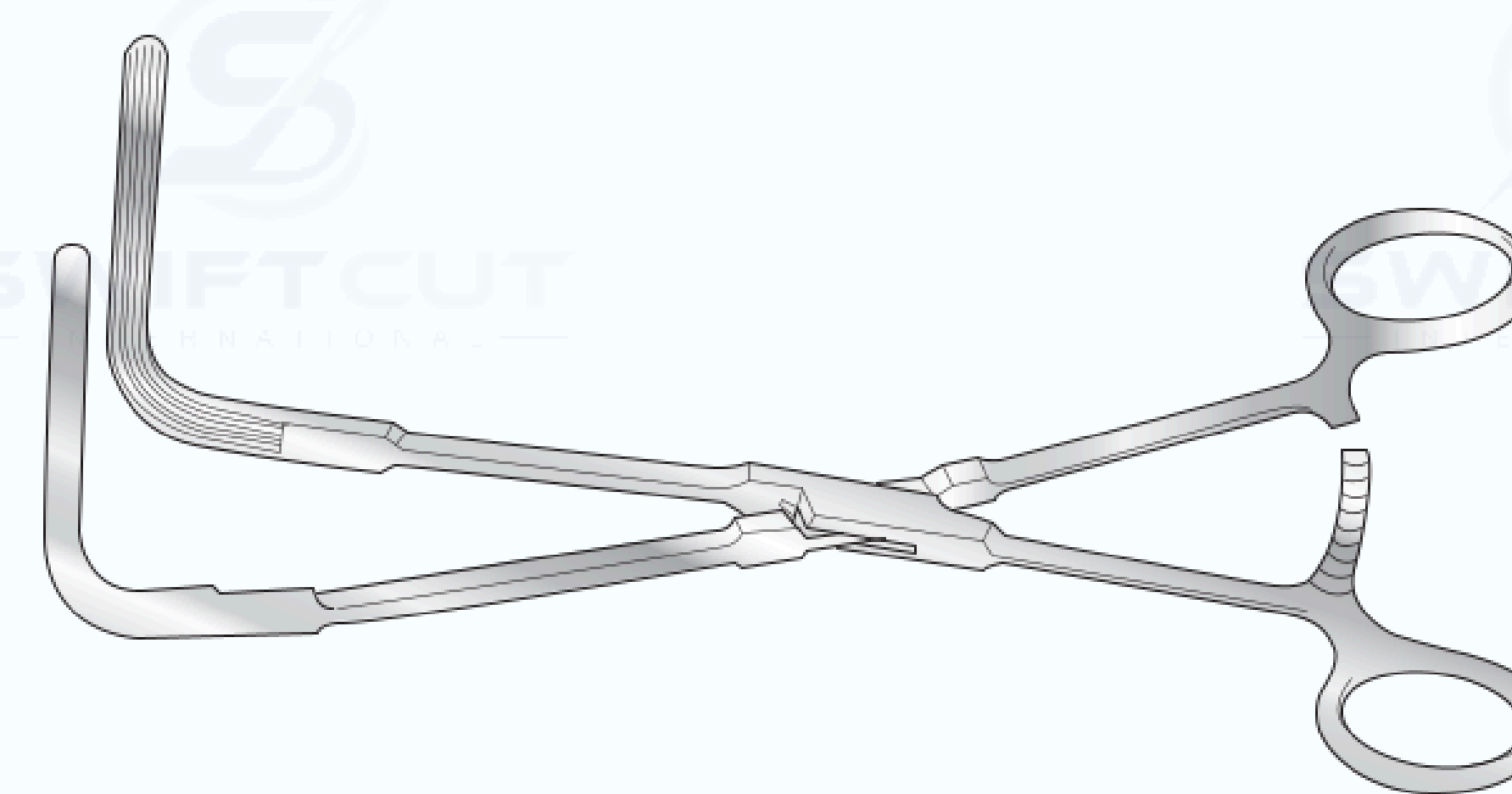
Officer Dissecting Forceps



SC-PR/008a	2-3 fine teeth, 150mm long	SC-PR/008c	4-5 fine teeth, 200mm long
SC-PR/008b	2-3 fine teeth, 200mm long	SC-PR/008d	4-5 fine teeth, 250mm long

Lloyd-Davis Rectal Occlusion Forceps

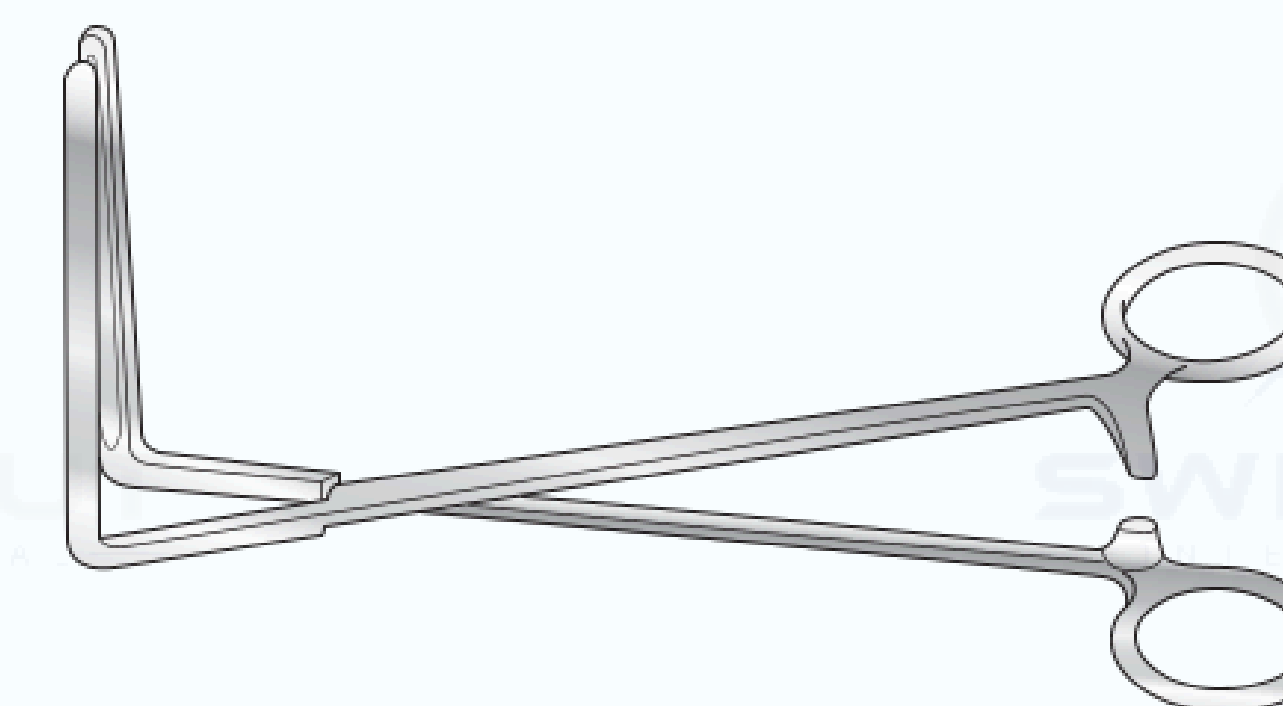
With longitudinal serrations



SC-PR/023	300mm long
-----------	------------

Finch Excision Clamp

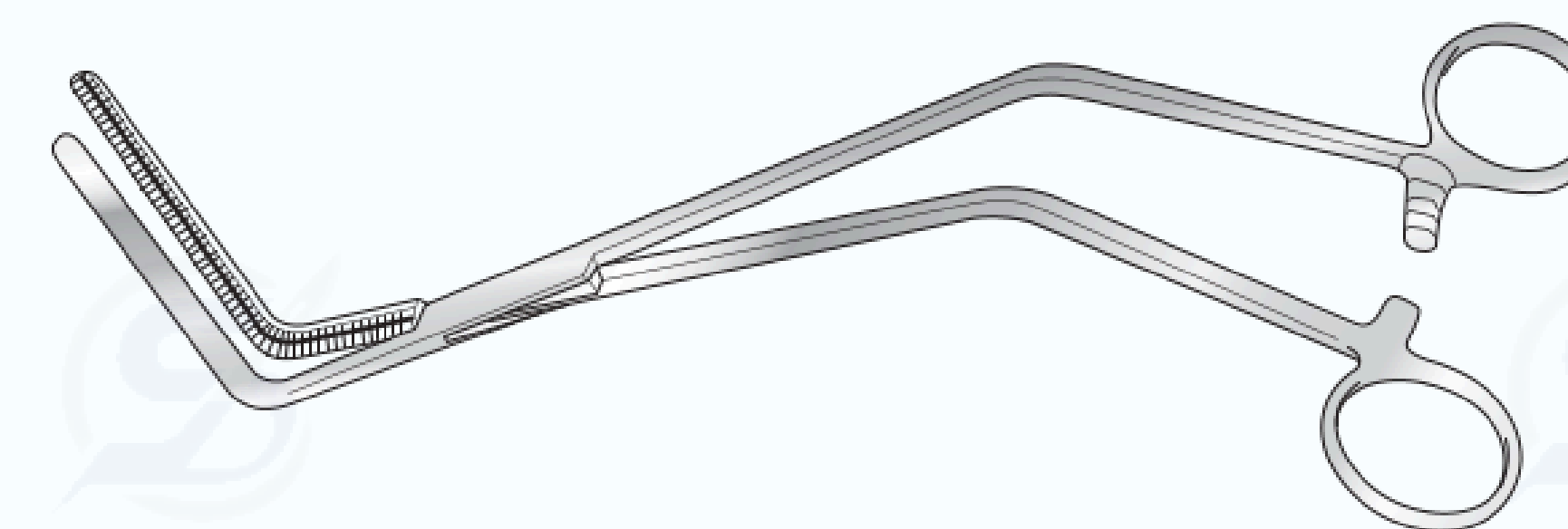
With hollowed jaws



SC-PR/003	75mm blade, 215mm long
-----------	------------------------

Hays Colon Resection Clamp

Angled at 70°

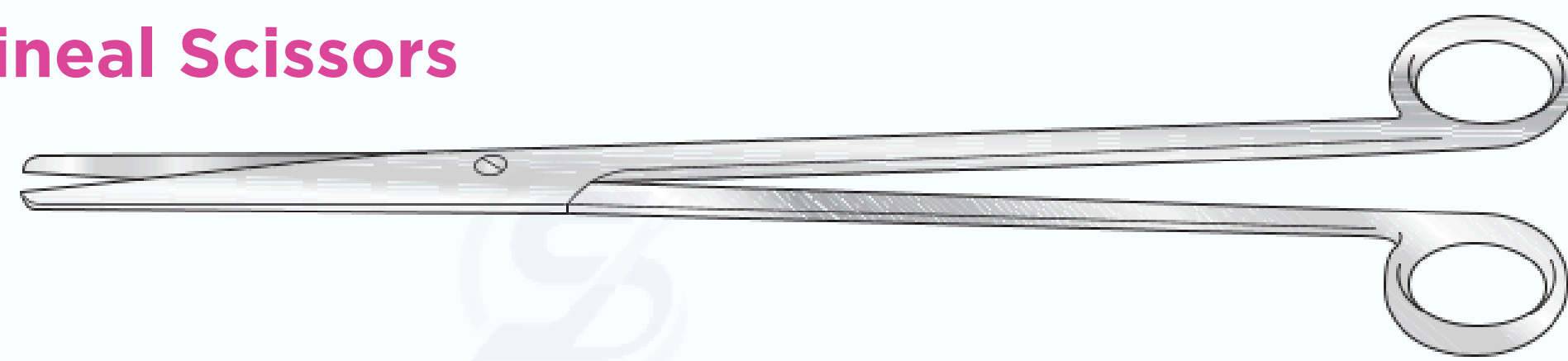


SC-PR/004a	Jaw length 80mm 270mm long
SC-PR/004	Jaw length 100mm 285mm long

Abel Abdominal-Perineal Scissors

Straight

SC-PR/016	320mm long
-----------	------------



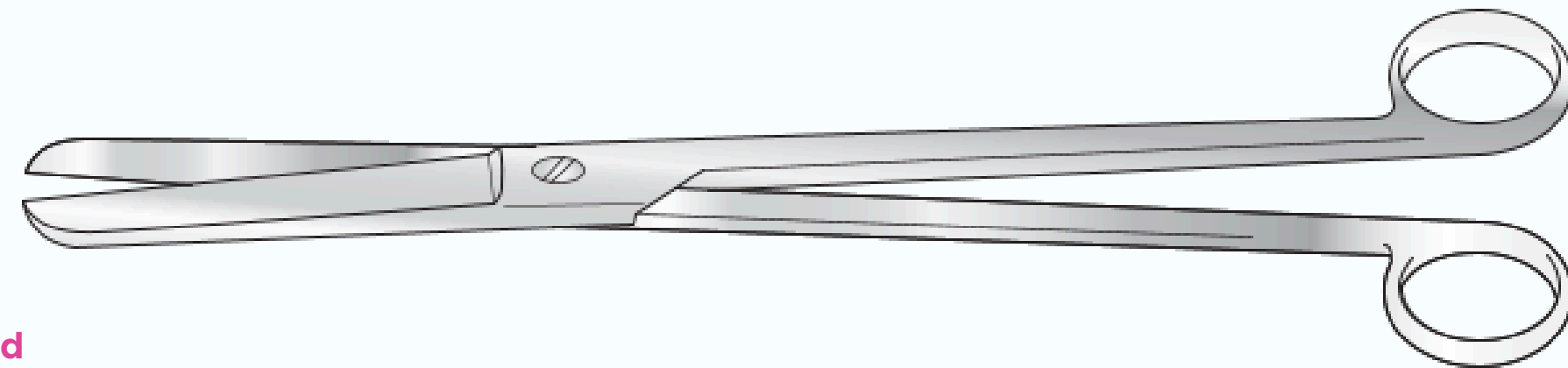
Goligher Scissors

Straight

SC-PR/017a	300mm long
SC-PR/017b	330mm long

Curved

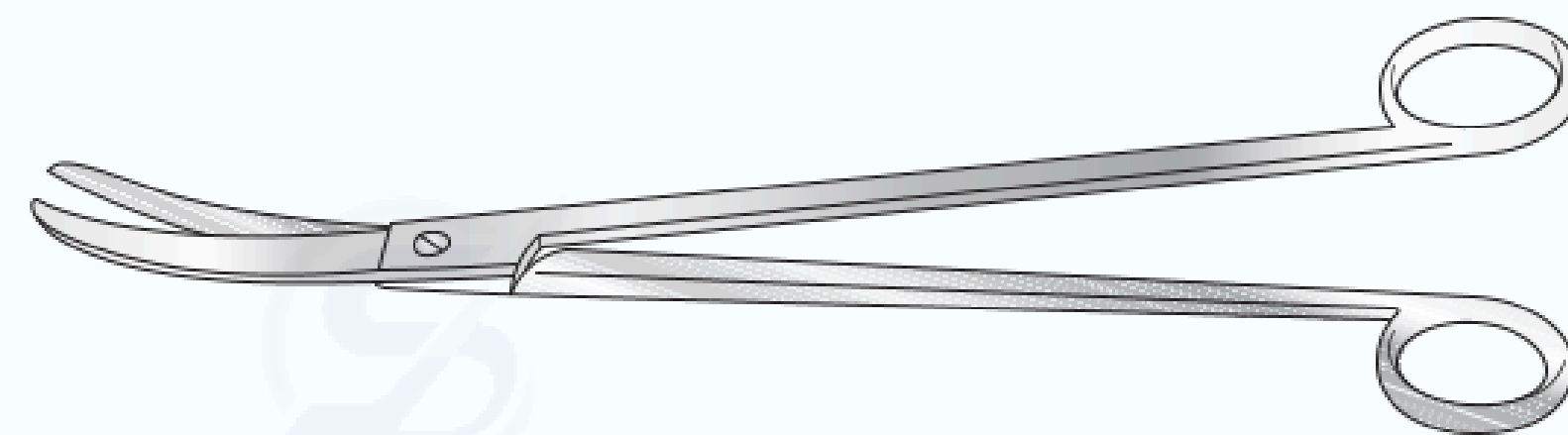
SC-PR/017c	300mm long
SC-PR/017d	330mm long



Lloyd-Davis Rectal Scissors

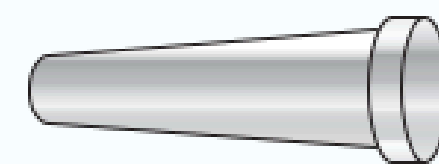
Flattened blades, blunt points
265mm long

SC-PR/018a	Straight
SC-PR/018b	Curved on flat



St Mark's Rectal Dilator

SC-PR/005a	Small, 14mm x 19mm
SC-PR/005b	Large, 16mm x 25mm



Lockhart Mummery Fistula Director

165mm long

Straight

SC-PR/006a1	With 1mm hole
-------------	---------------

90° curve

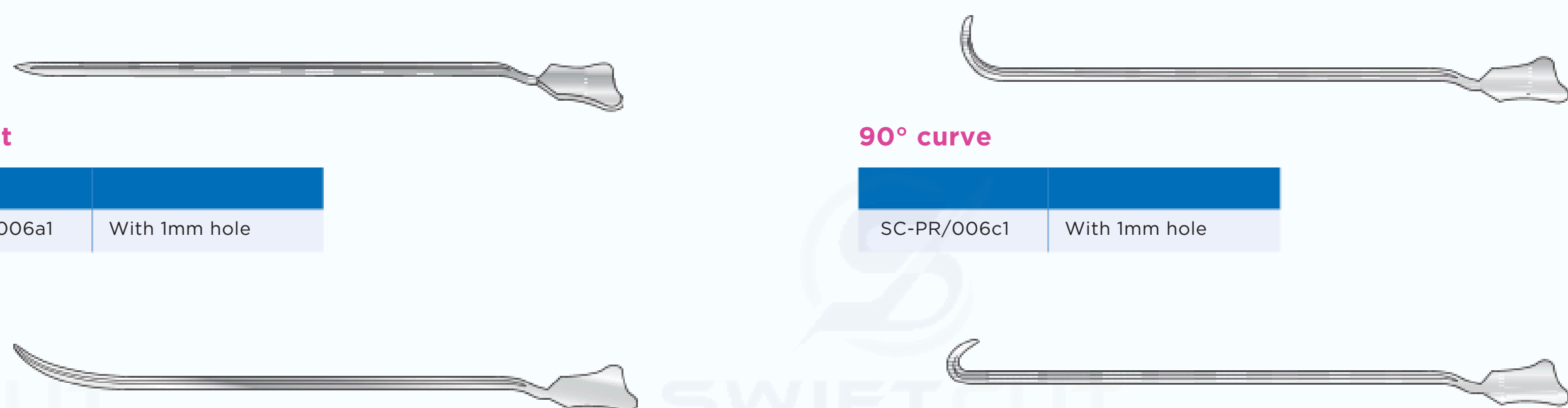
SC-PR/006c1	With 1mm hole
-------------	---------------

45° curve

SC-PR/006b	With 1mm hole
------------	---------------

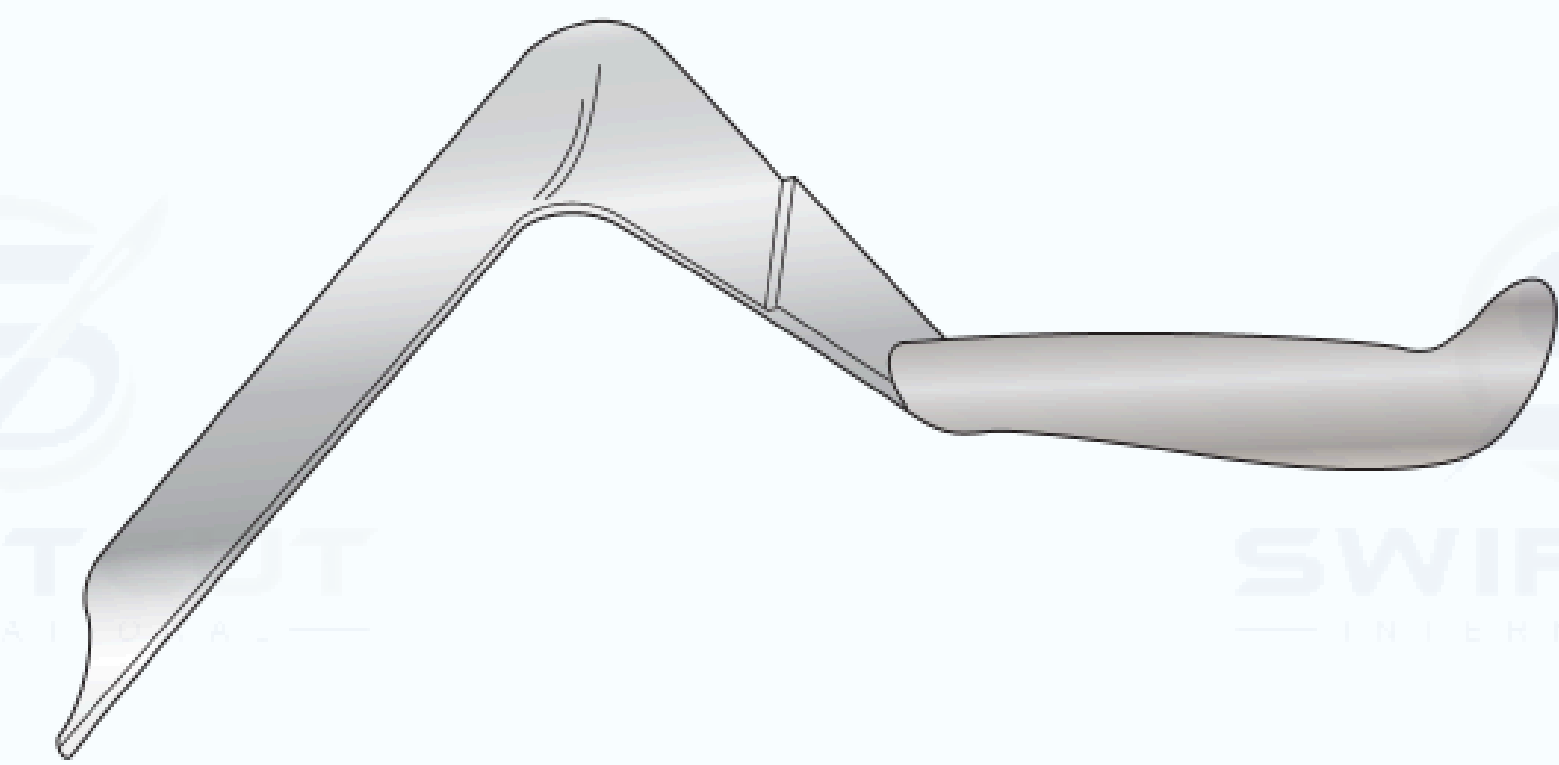
Retrograde

SC-PR/006d1	With 1mm hole
-------------	---------------



Lloyd-Davis Retractor

SC-PR/013a	Short, without tapered end, 125mm x 55mm
SC-PR/013b	Long, with tapered end, 170mm x 65mm x 50mm

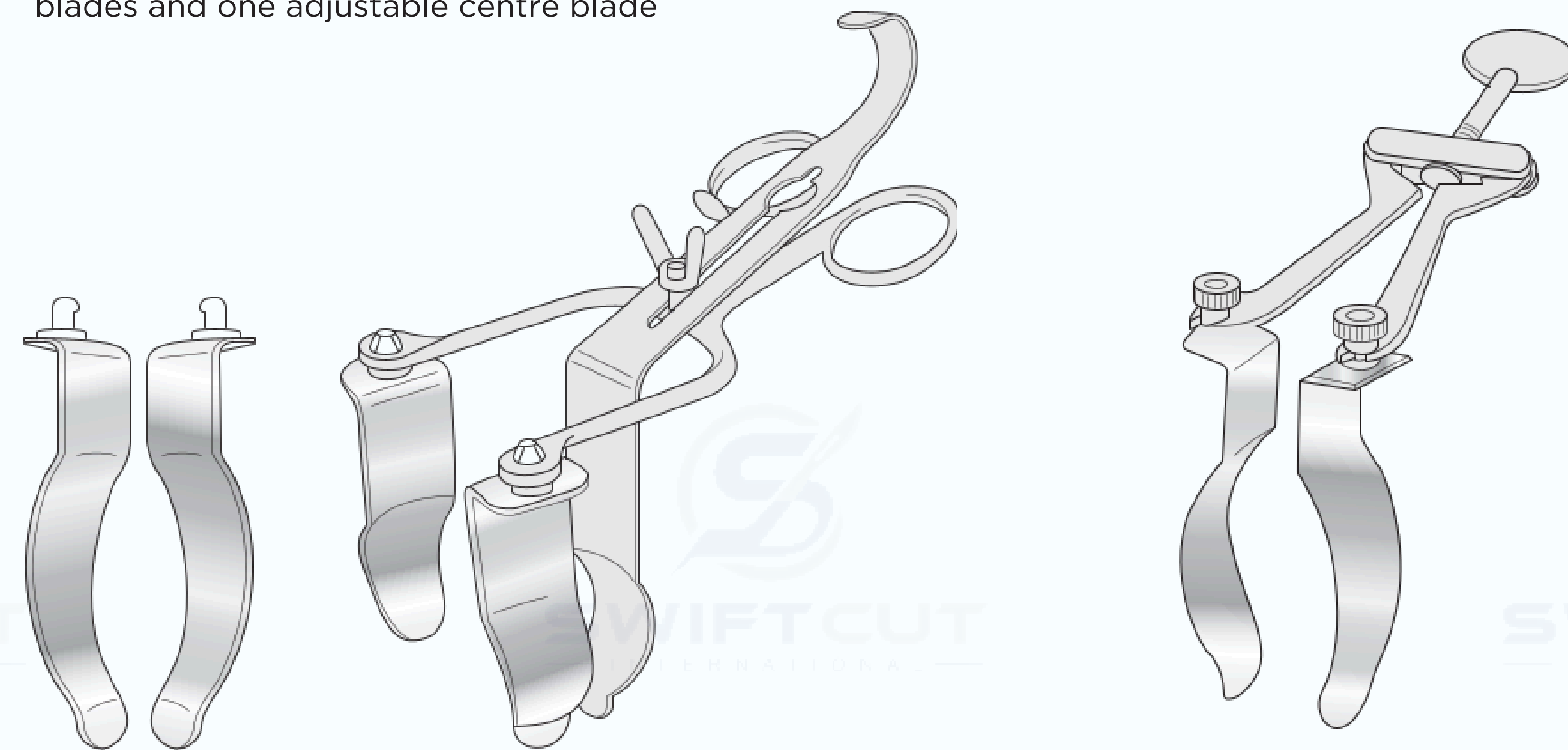


Park Combined Anal Retractor

Self retaining, with 2 sets of interchangeable blades and one adjustable centre blade

Park Anal Retractor

Self retaining

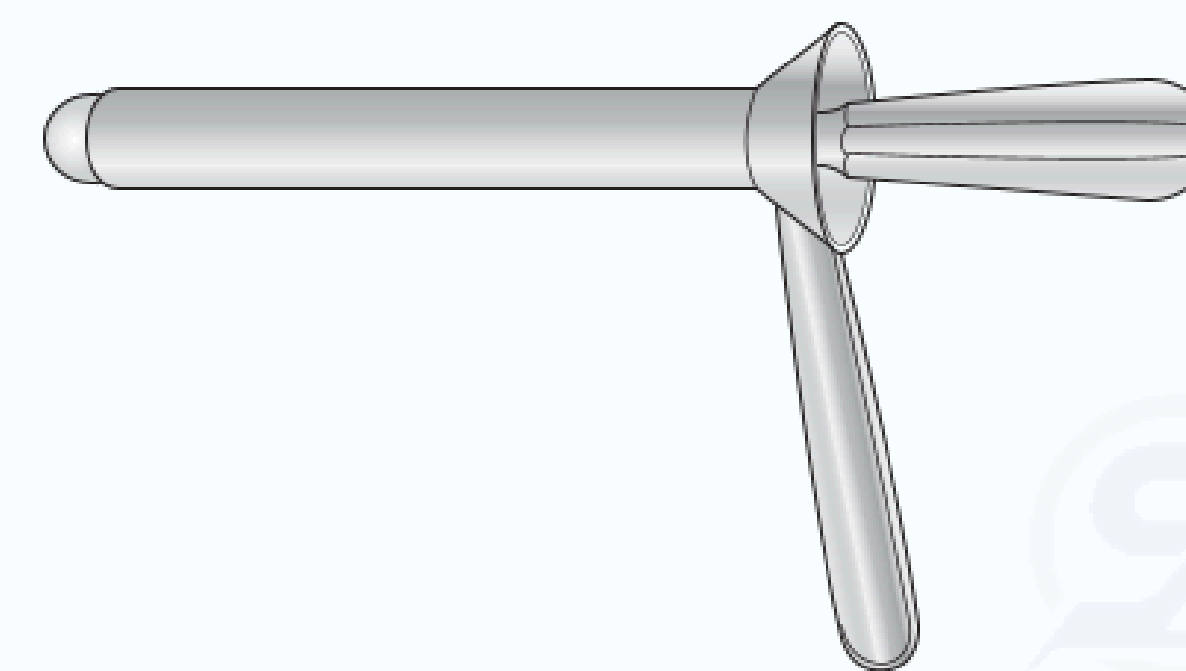


SC-PR/015	140mm long
-----------	------------

SC-PR/014	130mm, 95mm
-----------	-------------

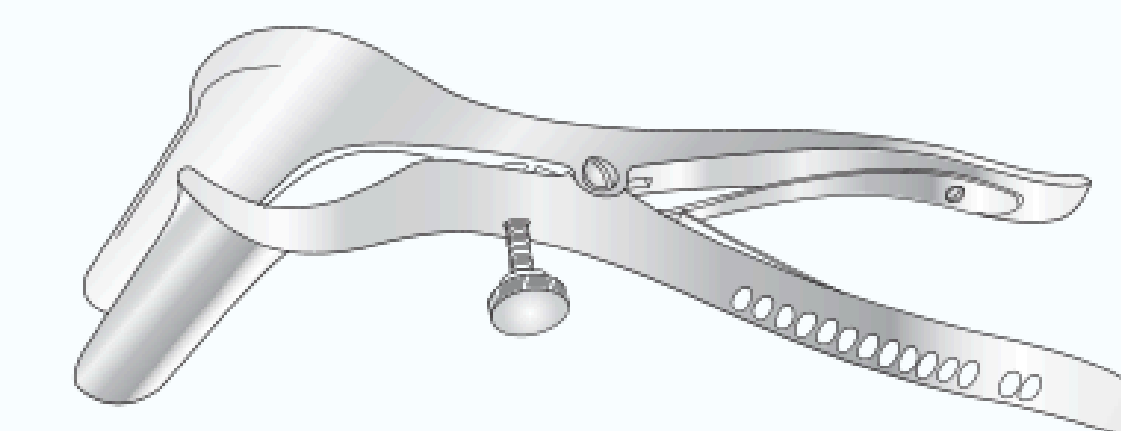
Kelly Proctoscope

With obturator, lumen



SC-PR/012a	140mm long
SC-PR/012b	200mm long
SC-PR/012c	Tapered, 22mm ø, x 100mm

Eisenhammer Speculum



SC-SH/4120	Blade 70mm long x 20mm wide
SC-SH/41201	Blade 95mm long x 20mm wide