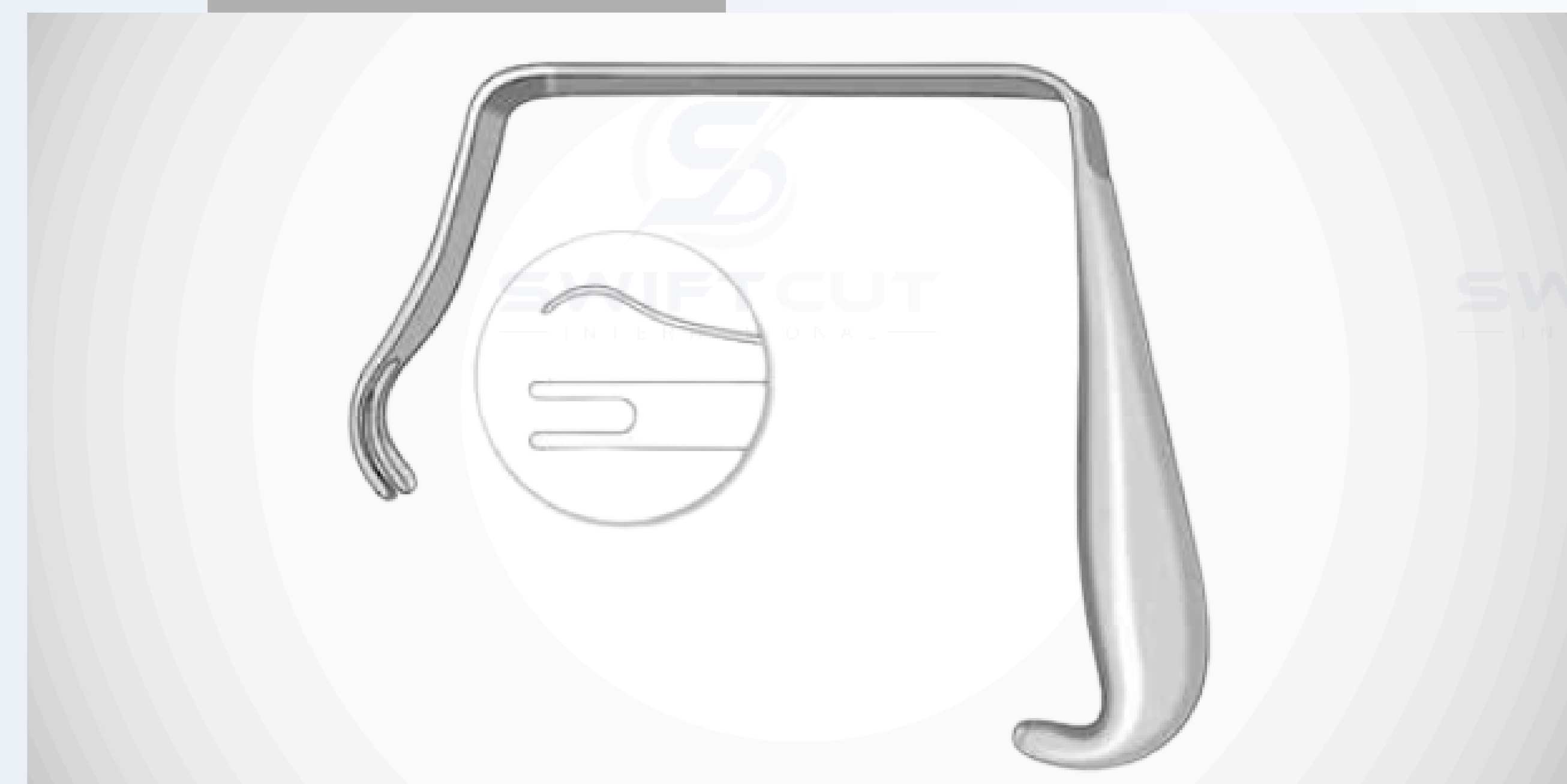


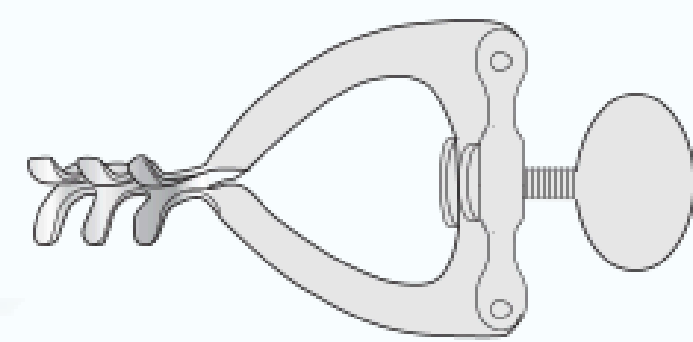
# NEURO/ SPINAL SURGERY

A precision-focused collection for delicate cranial and spinal procedures. Includes self-retaining retractors, rongeurs (Kerrison, pituitary), dissectors, microsurgical forceps, scissors, elevators, and curettes. Designed for minimal tissue trauma, precise bone removal, and controlled access to confined neural structures. Fine-tipped, balanced instruments with non-glare finishes support accurate manipulation under the microscope or loupes. Crafted from durable, high-grade stainless steel for reliable long-term performance.



### Mastoid Retractor

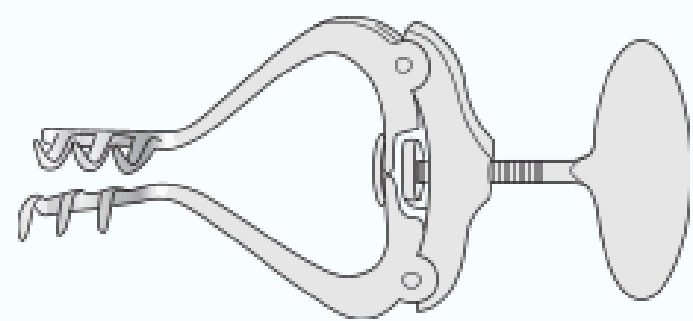
3 x 3 blunt hooks



SC-NEU/N30350 114mm long

### Jansen (Shea) Retractor

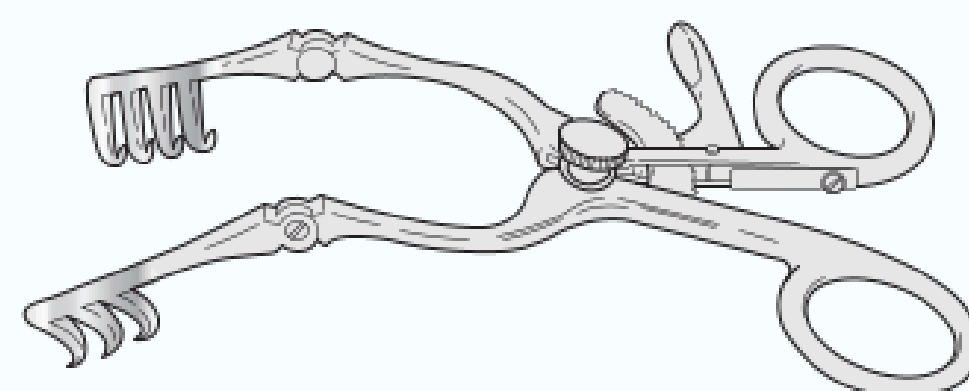
Self retaining, blunt blades



SC-NEU/028 114mm long

### Cone Retractor

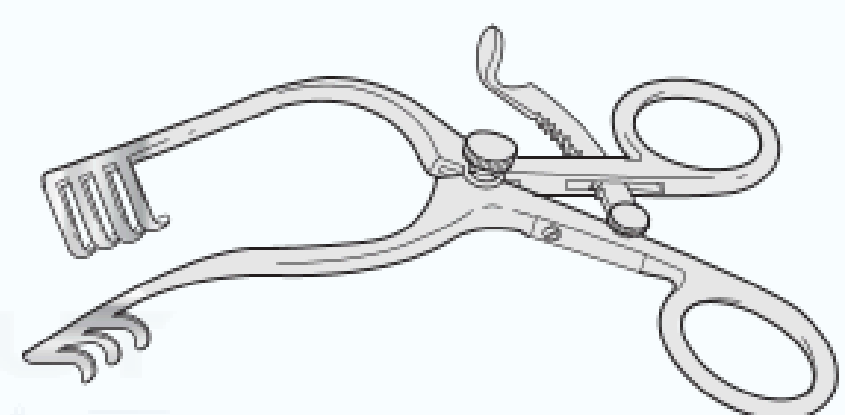
Selfretaining,hingedarms, for use in ventriculography



SC-NEU/027 165mm long

### Jefferson Retractor

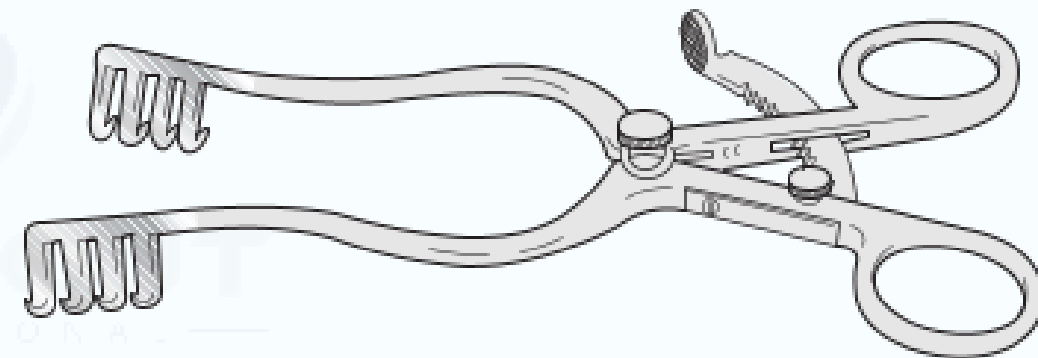
Self retaining, curved, blunt pointed blades



SC-NEU/029 140mm long

### Henderson Retractor

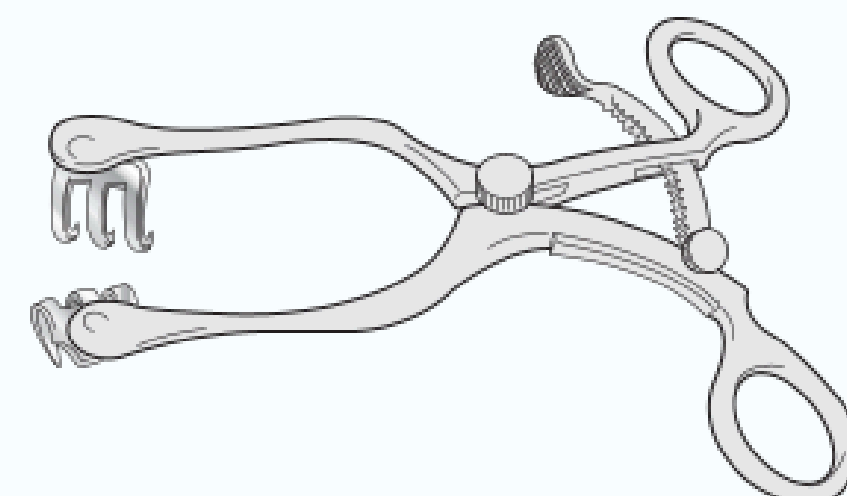
Self retaining, straight, 4x4 blunt pointed blades



SC-NEU/030a 178mm long

### Cairns Scalp Retractor

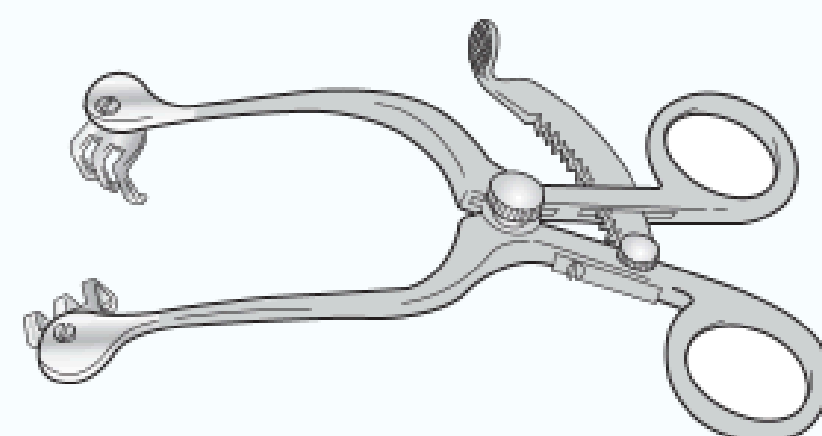
Curved, self retaining, swivel blades



SC-NEU/025b 140mm long

### Schnitker Scalp Retractor

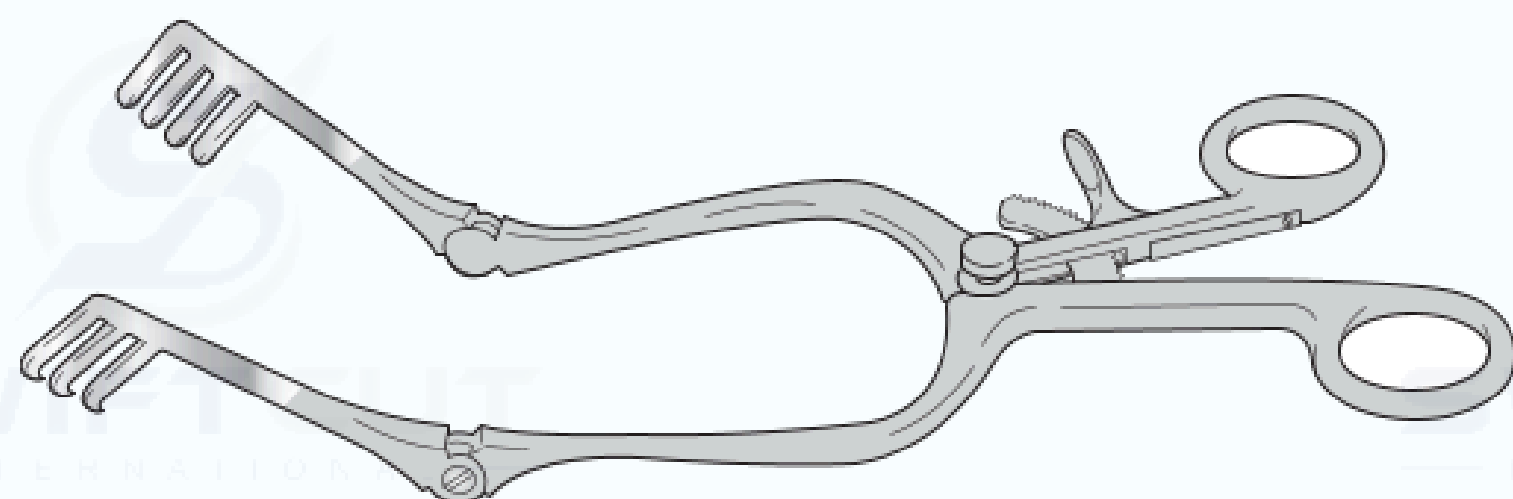
Curved, self retaining, blunt swivel blades



SC-NEU/026 140mm long

### Cone Laminectomy Retractor

Hinged arms, with cam rack

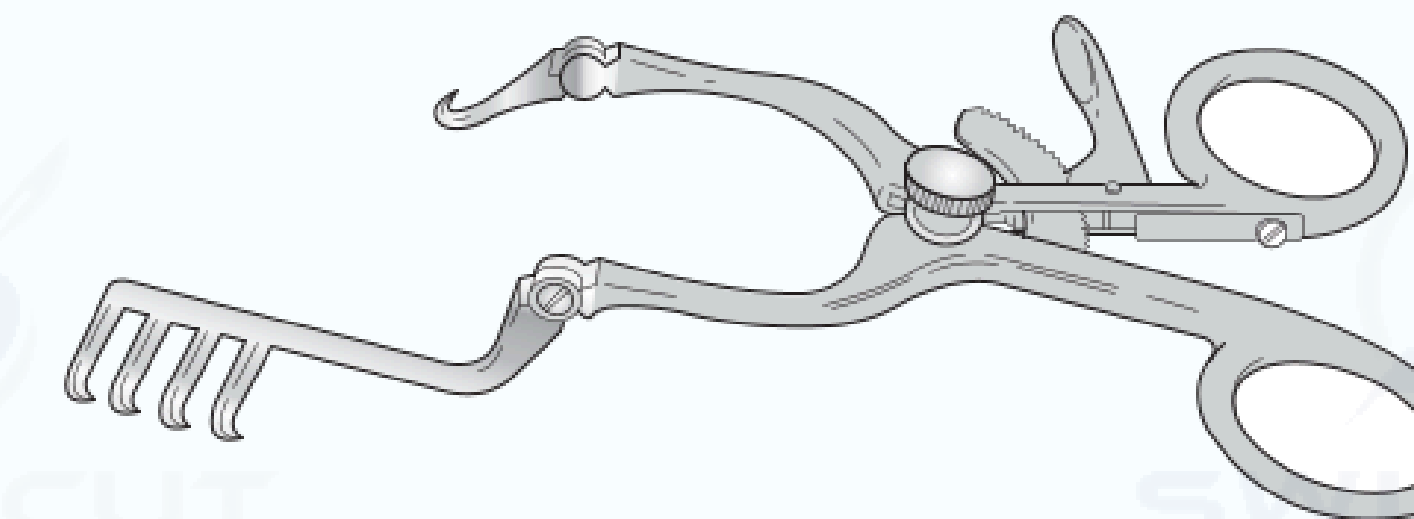


SC-NEU/051 254mm long

### Cone Laminectomy Retractor

Hinged arms

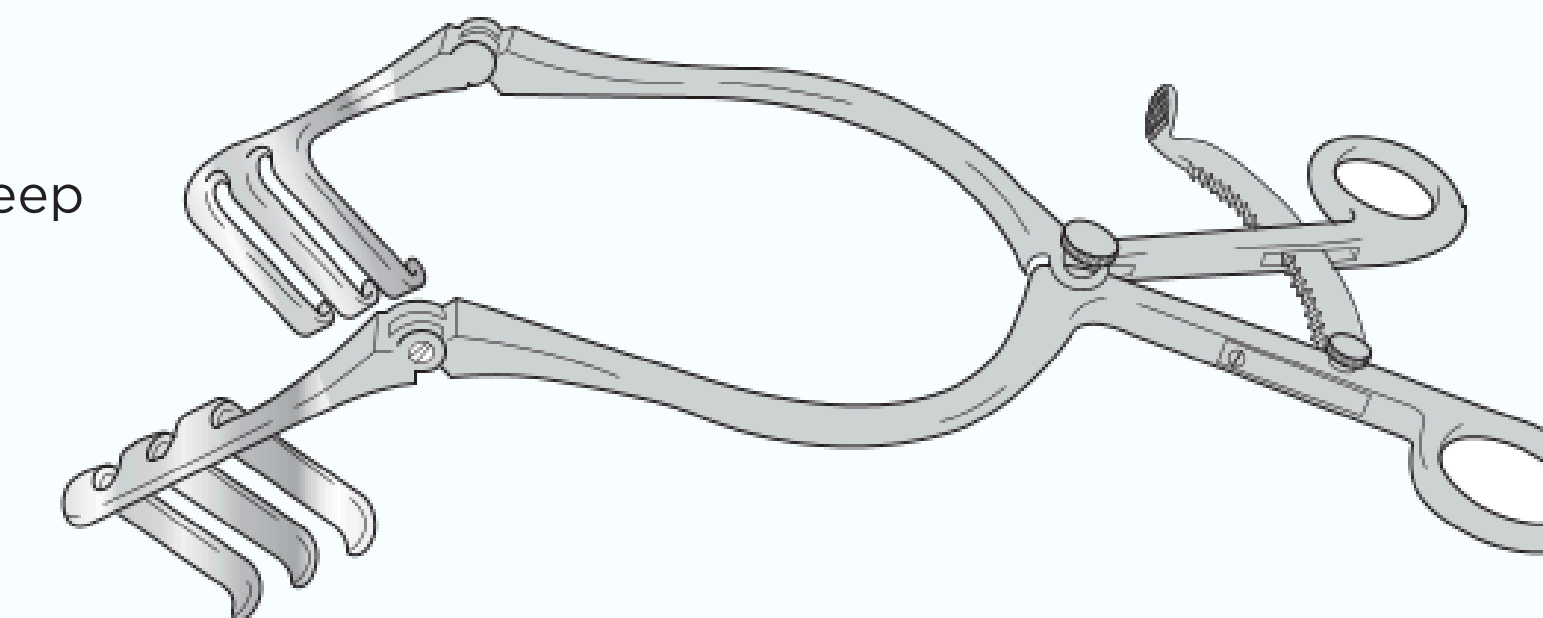
SC-NEU/052a	Left, 165mm long
SC-NEU/052b	Right, 165mm long
SC-NEU/052c	Left, 254mm long
SC-NEU/052d	Right, 254mm long



### Harvey-Jackson Laminectomy Retractor

Hinged arms, blades 38mm wide x 44mm deep

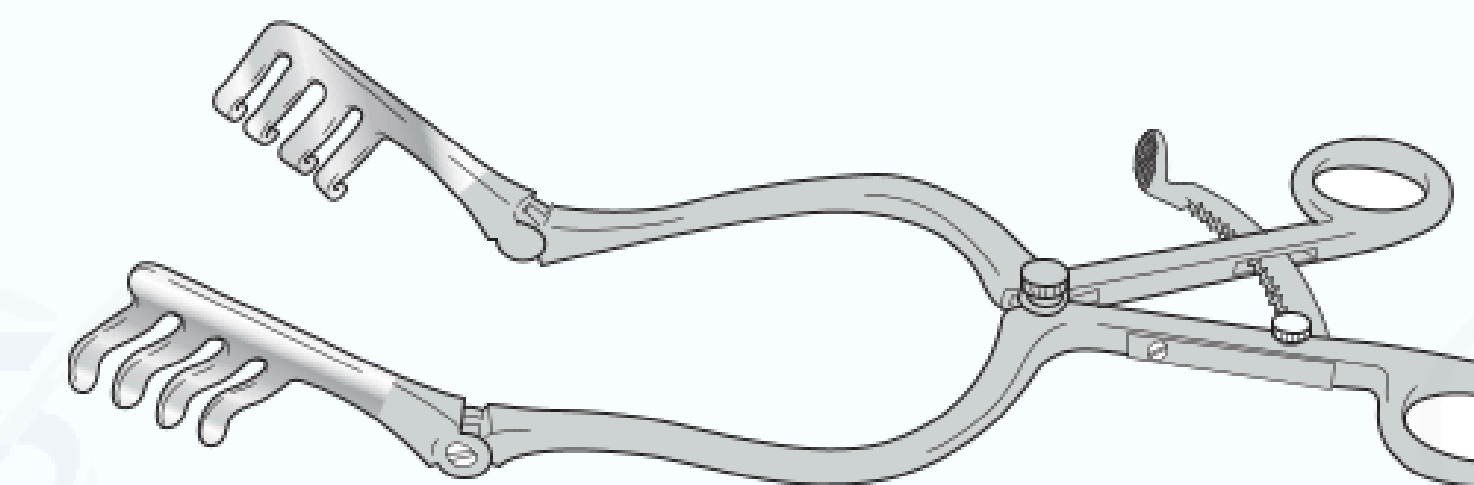
SC-NEU/053 305mm long



### Mayo-Adson (Beckmann) Laminectomy Retractor

Hinged arms

SC-NEU/054 292mm long



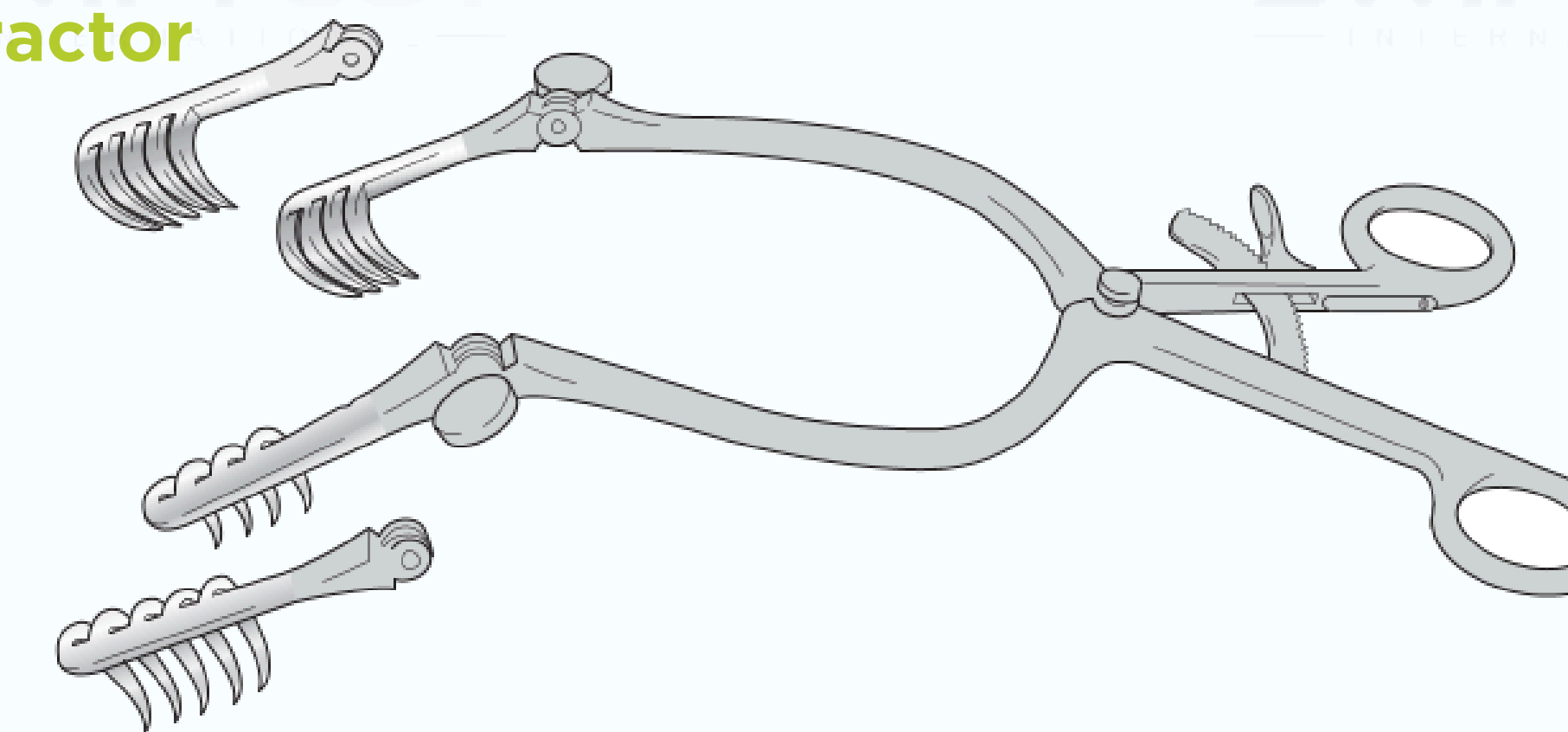
### Northfield (Cairns) Retractor

Hinged arms, one pair of blades

4 prong : 25mm wide x 16mm deep and one pair of blades

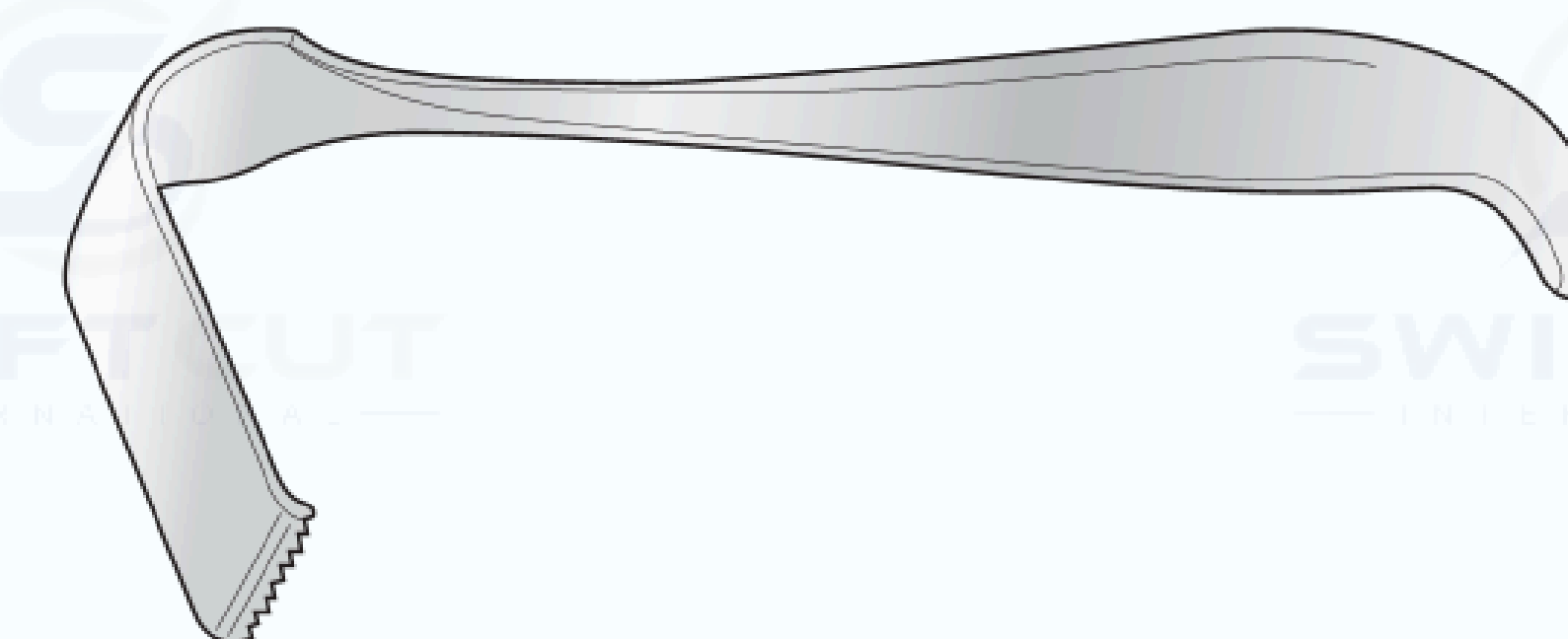
5 prong: 32mm wide x 25mm deep

SC-NEU/055 292mm long



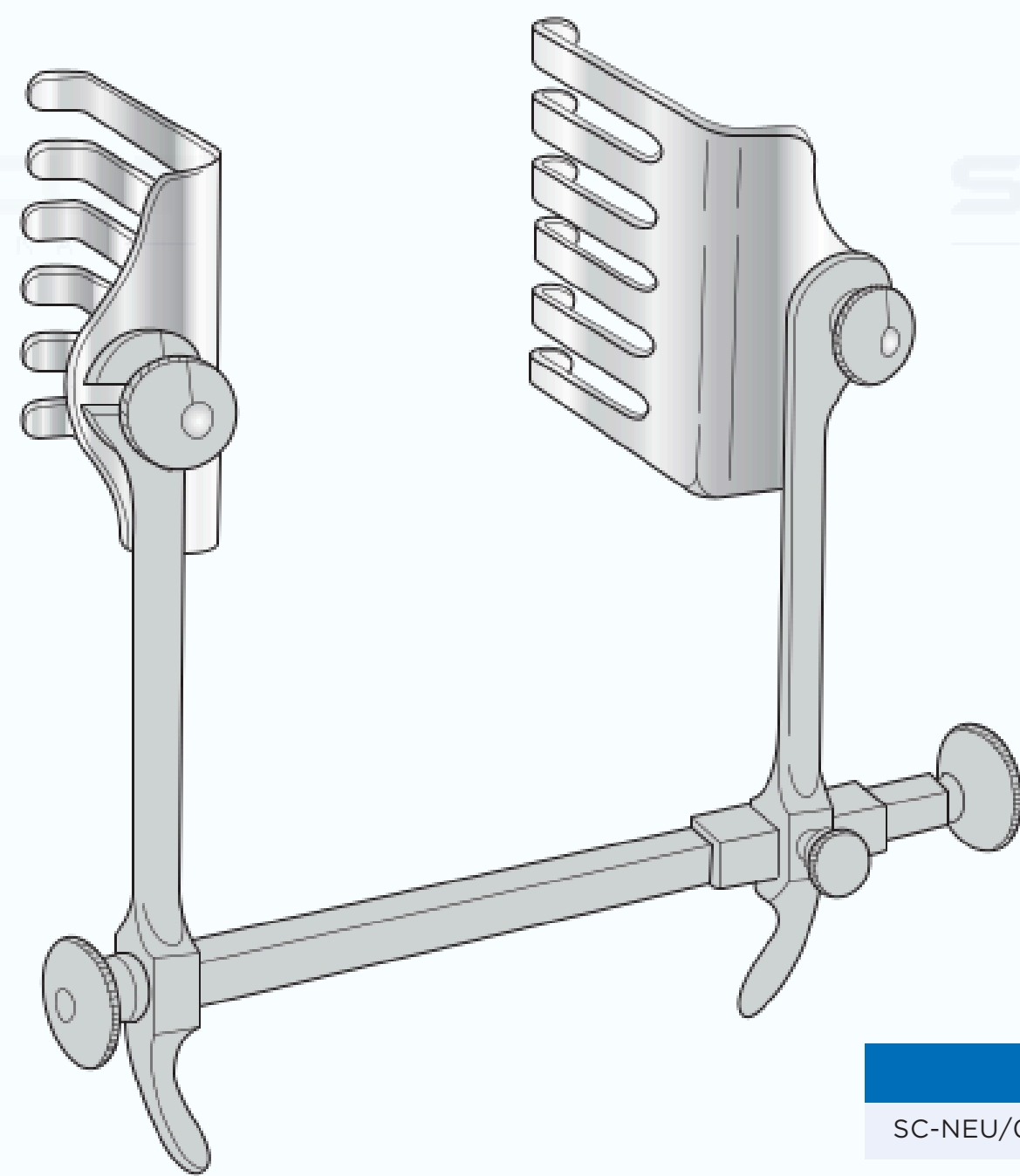
### Meyerding Hemi-Laminectomy Retractor

SC-NEU/216	18cm long 7" blade size 50 x 10mm
SC-NEU/219	18cm long 7" blade size 50 x 20mm
SC-NEU/217	18cm long 7" blade size 60 x 10mm
SC-NEU/220	18cm long 7" blade size 60 x 20mm
SC-NEU/218	18cm long 7" blade size 70 x 10mm
SC-NEU/221	18cm long 7" blade size 70 x 20mm
SC-NEU/224	18cm long blade left 90 x 10mm
SC-NEU/225	18cm long blades left 90 x 20mm
SC-NEU/222	18cm long blades right 90 x 10mm
SC-NEU/223	18cm long blades right 90 x 20mm



### Cairns-Northfield Laminectomy Retractor

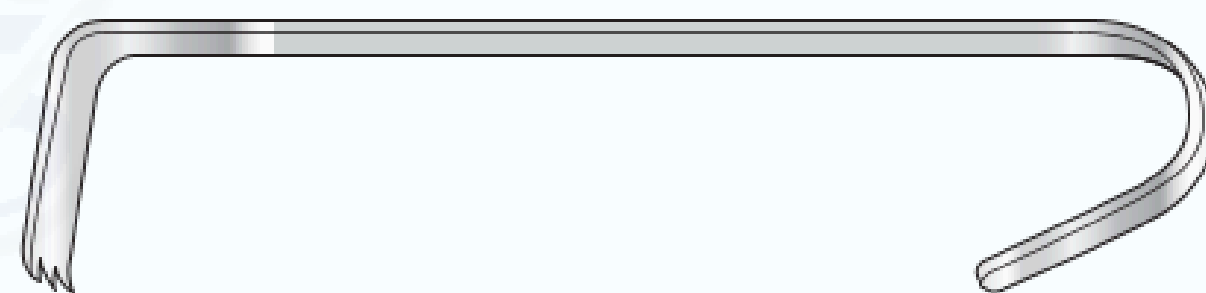
203mm arm length with three pairs of interchangeable swivelling blades, 76mm, 64mm, and 51mm



SC-NEU/036
------------

### Hibbs Retractor

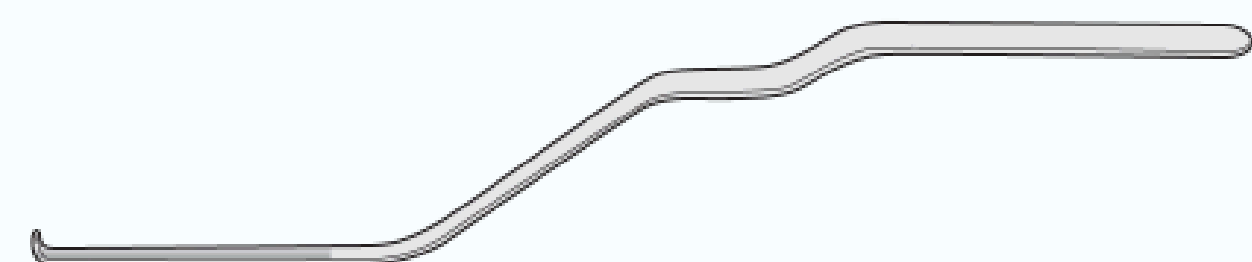
203mm long



SC-NEU/050a	Blades 10mm x 38mm
SC-NEU/050b	Blades 16mm x 54mm

### Krayenbuhl Retractor

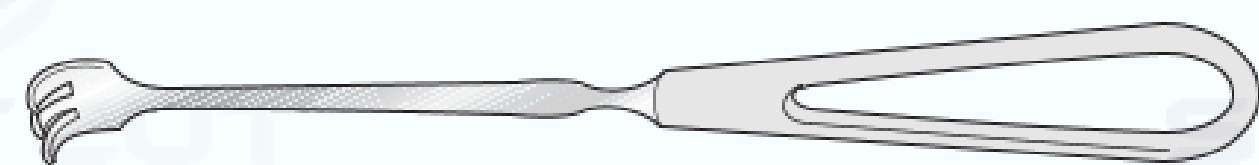
6mm wide



SC-NEU/5905	210mm long
SC-NEU/5905a	240mm long

### Cairns 'Rake' Scalp Retractor

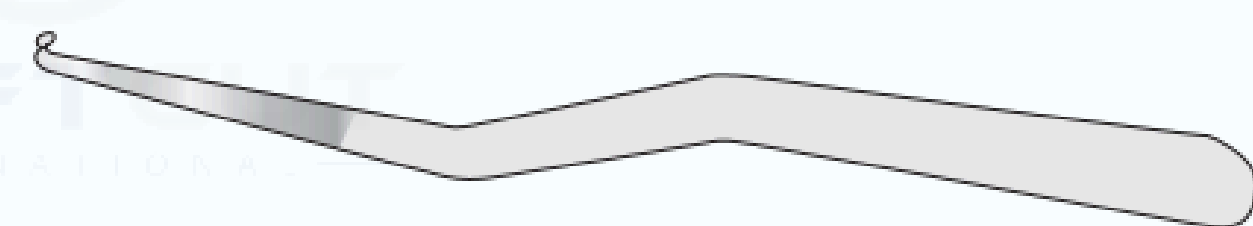
Sharp, 210mm long



SC-NEU/032a	3 prong, 16mm wide
SC-NEU/032b	4 prong, 19mm wide

### Love Retractor

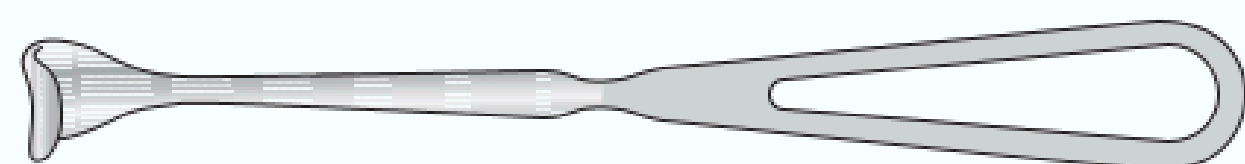
6mm wide



SC-NEU/5905b	210mm long
--------------	------------

### Cairns (Cushing) Scalp Retractor

Solid blade



SC-NEU/033	16mm wide, 210mm long
------------	-----------------------

### Love Retractor

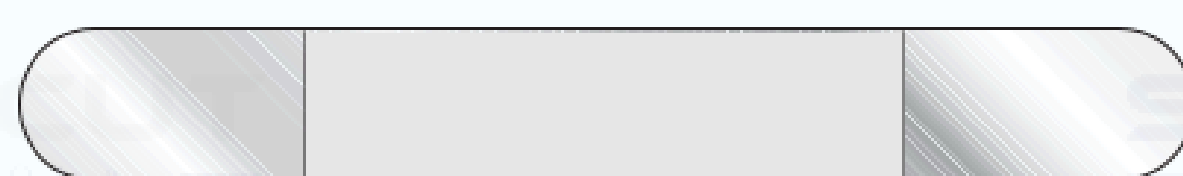
203mm long



SC-NEU/077a	Straight, blade 5mm x 5mm
SC-NEU/077b	Shaft angled 90° at handle
SC-NEU/077c	Shaft angled 45° at handle

### Cairns Strip Retractor

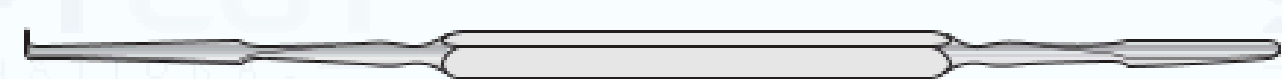
Malleable, 203mm long  
8 sizes: 6, 8, 10, 11, 13, 16, 19, 25mm



SC-NEU/034a	20 SWG
SC-NEU/034b	18 SWG

### O'Connell Retractor

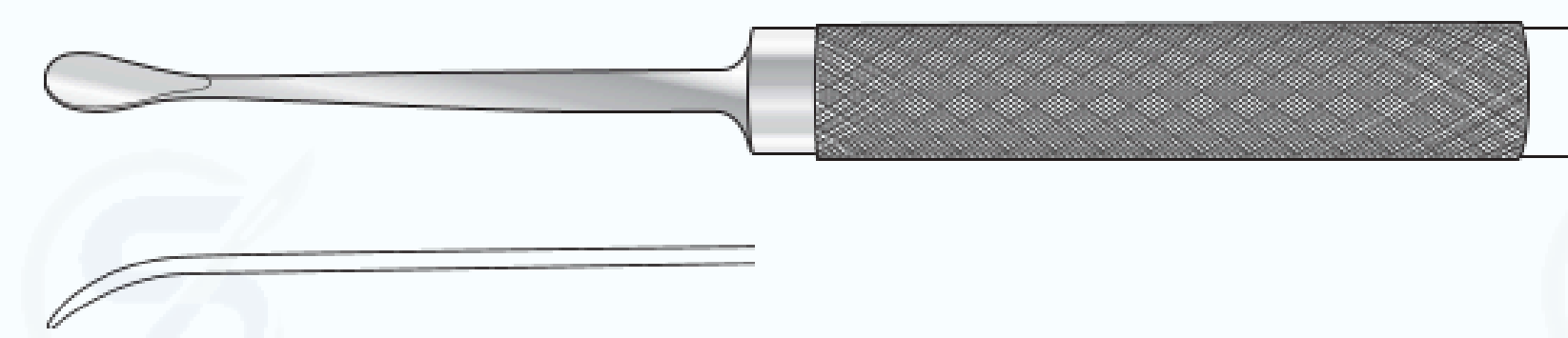
Double ended



SC-NEU/076	216mm long
------------	------------

### Cobb Spinal Elevator

13mm wide, knurled handle

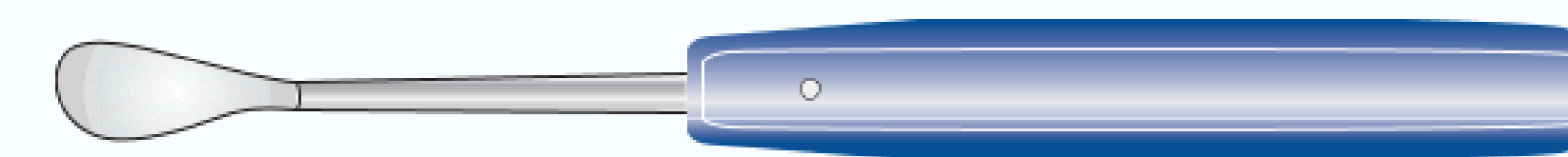


### Cobb Spinal Elevator

With blue acetal handles, 279mm long

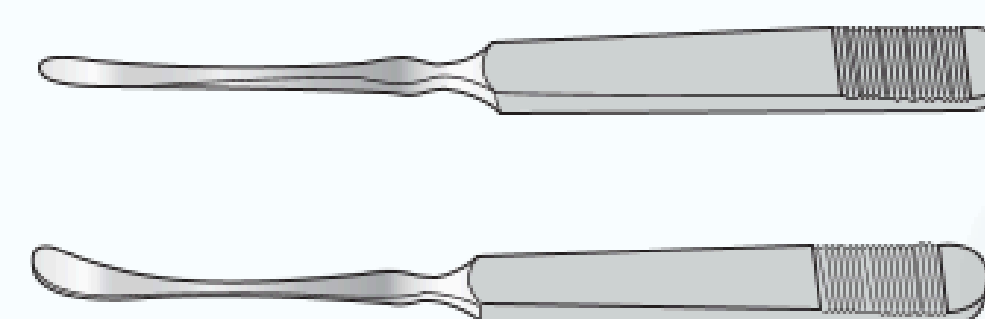
SC-NEU/073a	10mm wide
SC-NEU/073b	13mm wide
SC-NEU/073c	19mm wide

ALSO AVAILABLE WITH ACETAL SUREGRIP HANDLE  
ADD SUFFIX BH TO CATALOGUE NUMBER



### Adson Periosteal Elevator

Serrated grip, 165mm long



straight	
SC-OR/N028	7mm wide

curved	
SC-OR/N029	5mm wide
SC-OR/N030	7mm wide

### McKissock Spade Periosteal Elevator

Straight



SC-NEU/072	197mm long
------------	------------

### Cushing Periosteal Elevator

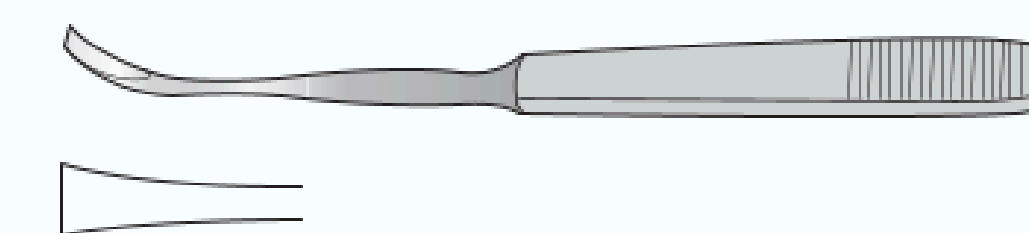
Slightly curved end



SC-NEU/071	197mm long
------------	------------

### Pennybacker Elevator

Curved, sharp, 171mm long



SC-OR/N025	6mm wide
------------	----------

### Cairns Guide and Director

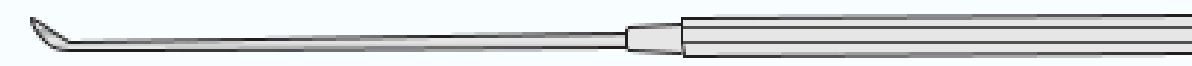
Malleable



SC-NEU/080	127mm long
------------	------------

### Dissector

200mm long



SC-NEU/N30210	Soft
SC-NEU/N30220	Soft, with hole

### Penfield Dissector



**No 1**  
Broad curve, with 7.5mm sharp round spoon, 184mm long



**No 2**  
7.5mm sharp round spoon with wax packer, 178mm long



**No 3**  
Fullcurve and wax packer, 197mm long



**No 4**  
Slightcurve, 4mm wide, 216mm long

SC-NEU/069a	No 1
SC-NEU/069b	No 2
SC-NEU/069c	No 3
SC-NEU/069d	No 4

### Pennybacker Probe Dissector

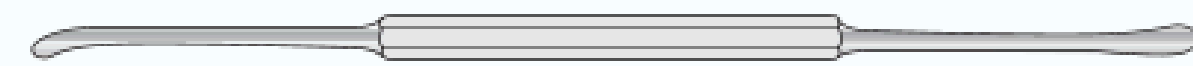
Double ended



SC-NEU/101	229mm long
------------	------------

### Swedish Dissector

Double ended



SC-NEU/100a	Light model, 178mm long
SC-NEU/100b	Heavy model, 200mm long

### Watson Cheyne Dissector

Fine, double-ended, with probe end



SC-GI/287	127mm long
SC-GI/288	191mm long
SC-GI/288a	230mm long
SC-GI/288b	255mm long

### Hooks

#### Adson Hook

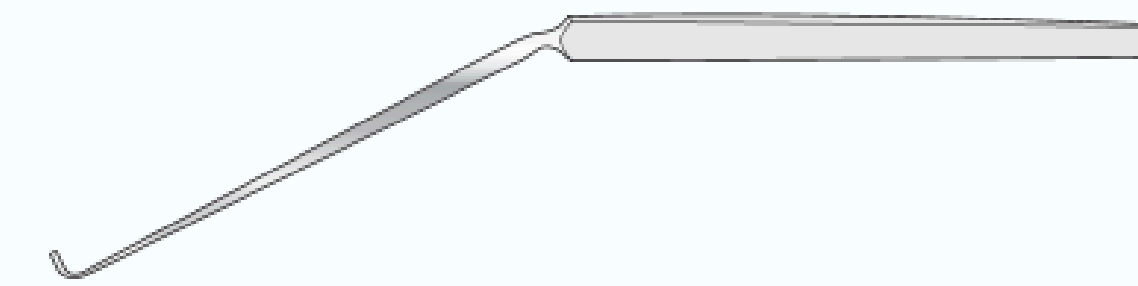
178mm long



SC-NEU/078a	Angled
SC-NEU/078b	Straight
SC-NEU/078b-b	Straight, blunt

#### Adson Oliver Neuro Hook

191mm long



SC-NEU/082a	Angled downward, blunt
SC-NEU/082b	Sharp
SC-NEU/082c	Angled upward, blunt

#### Cairns Tissue Hook

127mm long



SC-NEU/081b	Half round, sharp
SC-NEU/081c	Angled, sharp

#### Oliver Tissue Hook

Blunt

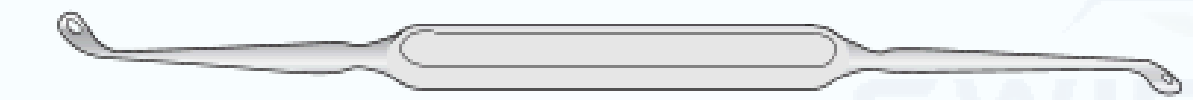


SC-NEU/081a	127mm long
-------------	------------

### Curettes

#### Falconer Scoop Curette

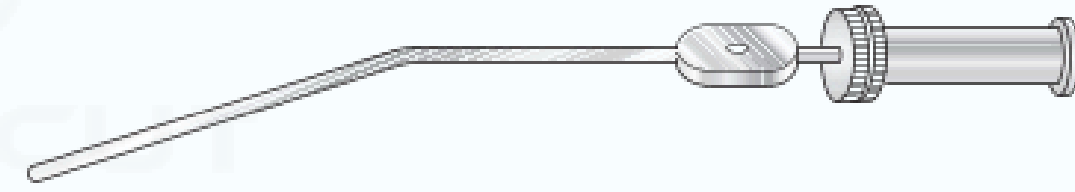
Double ended ,angled ends



SC-NEU/099	191mm long
------------	------------

### Adson Frazier Suction Tube

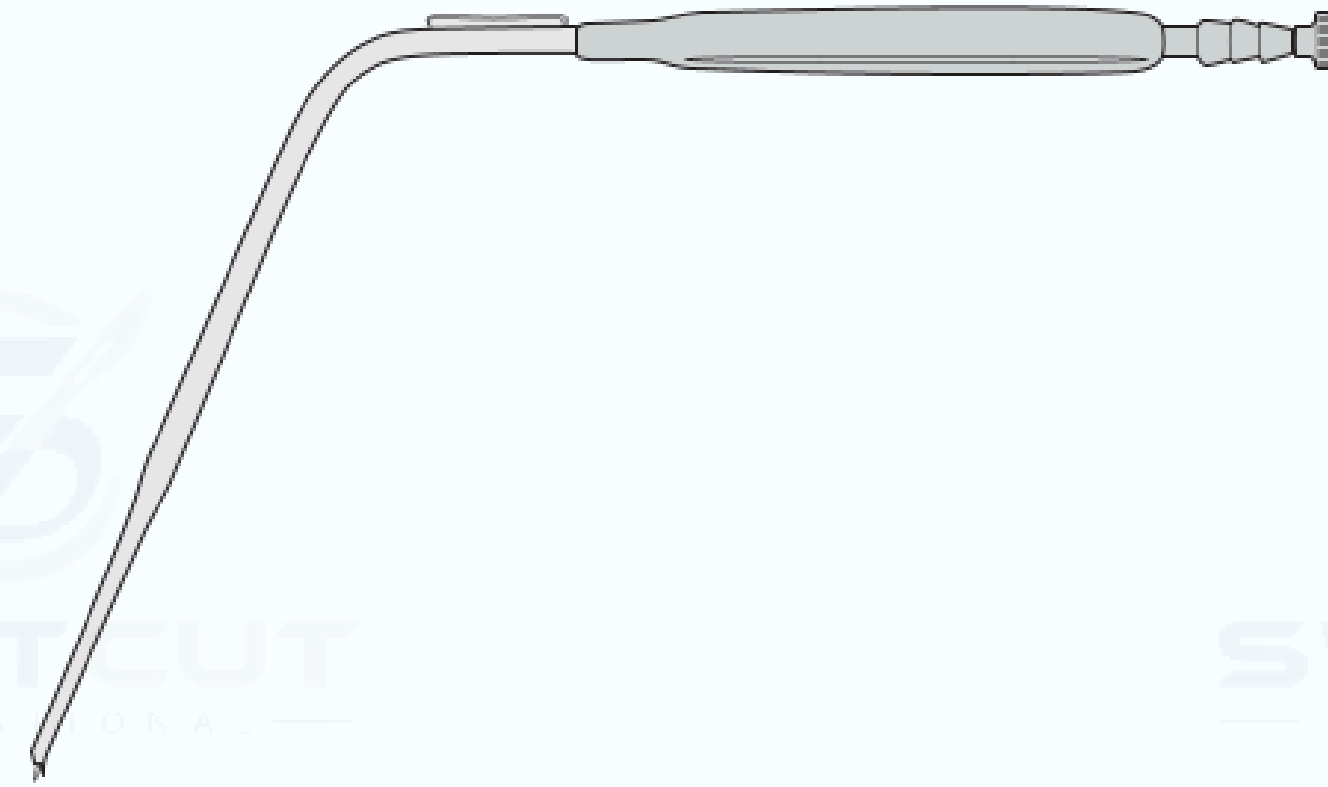
Angled, fully insulated, 180mm long



SC-NEU/094c	8 F.G.
-------------	--------

### Retractor Suction Tube

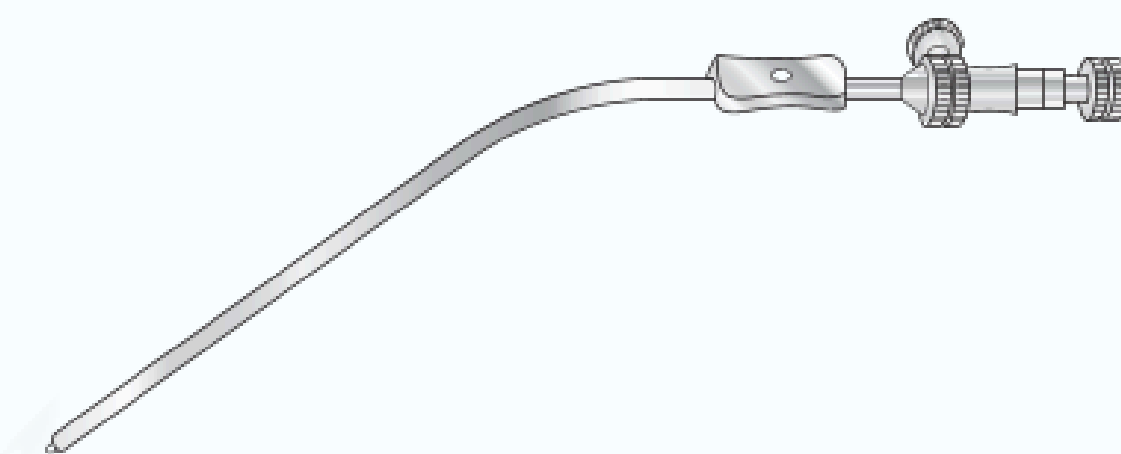
With stilette, 220mm long



SC-NEU/SK001STIL	Replacement stilette
------------------	----------------------

### Frazier Suction Tubes

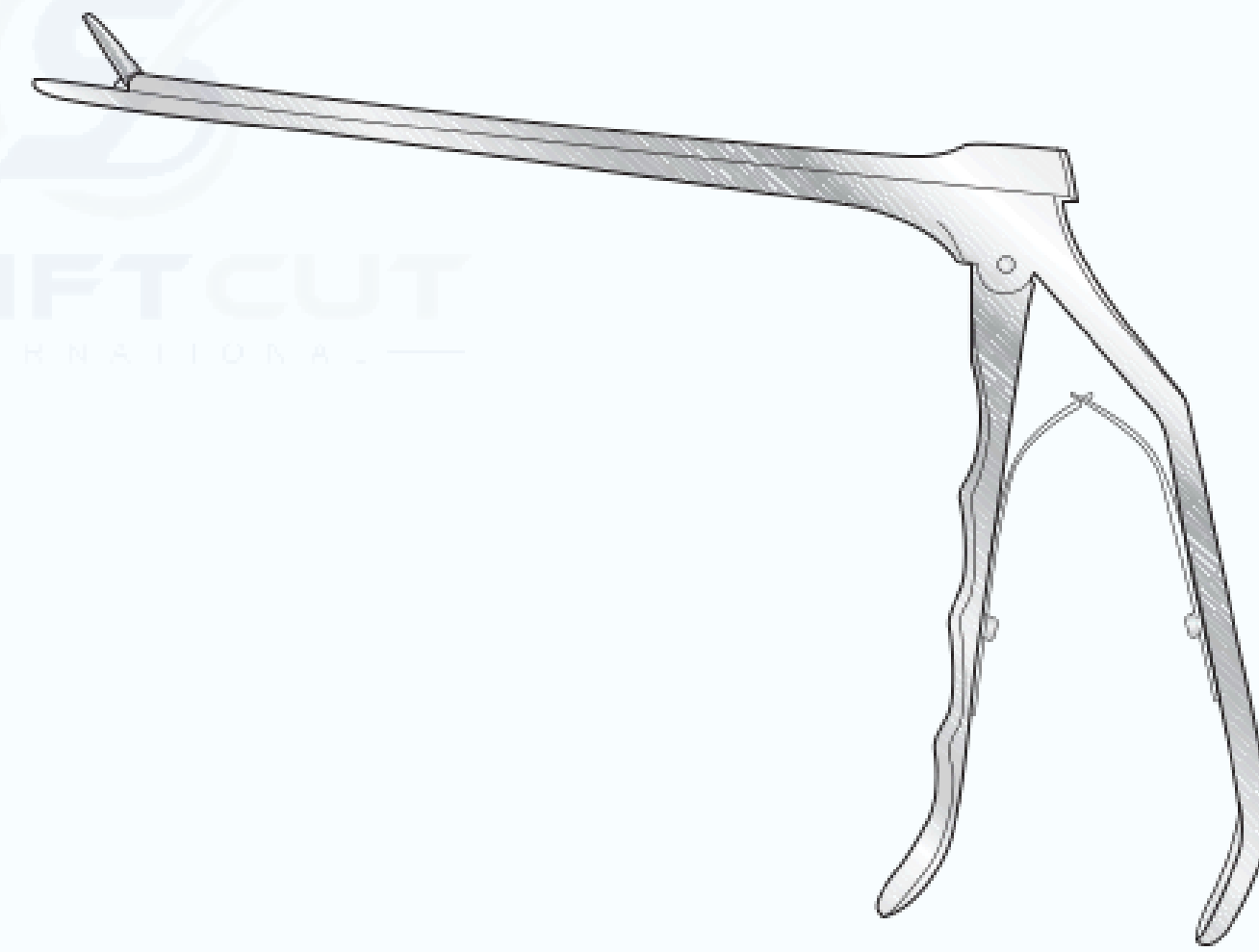
Malleable, silver, angled, 180mm long



SC-NEU/092a	7 F.G.
SC-NEU/092b	8 F.G.
SC-NEU/092c	9 F.G.

### Dandy Rongeur

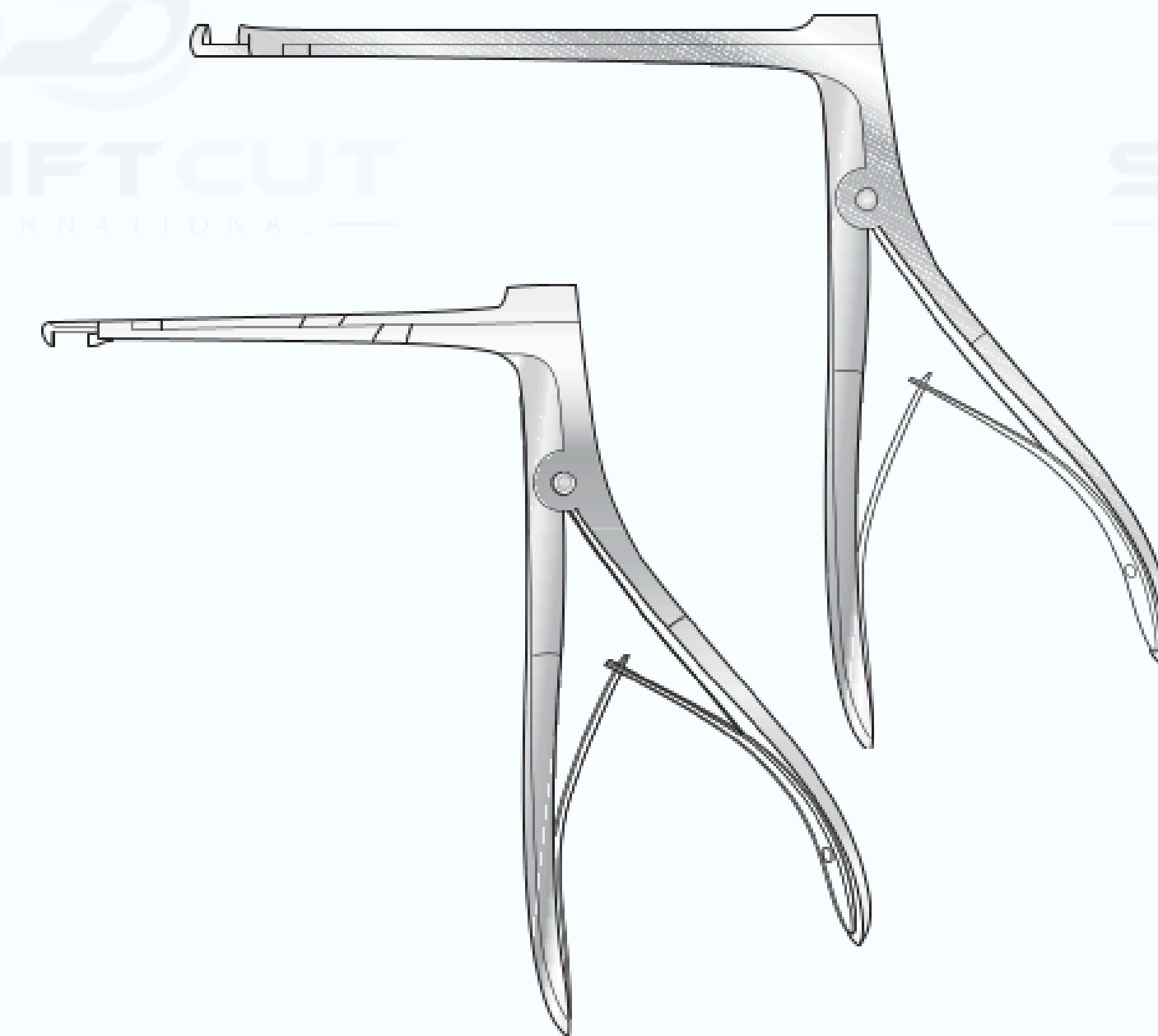
Straight



SC-NEU/134	3mm bite, 178mm shaft
------------	-----------------------

### Falconer Rongeur

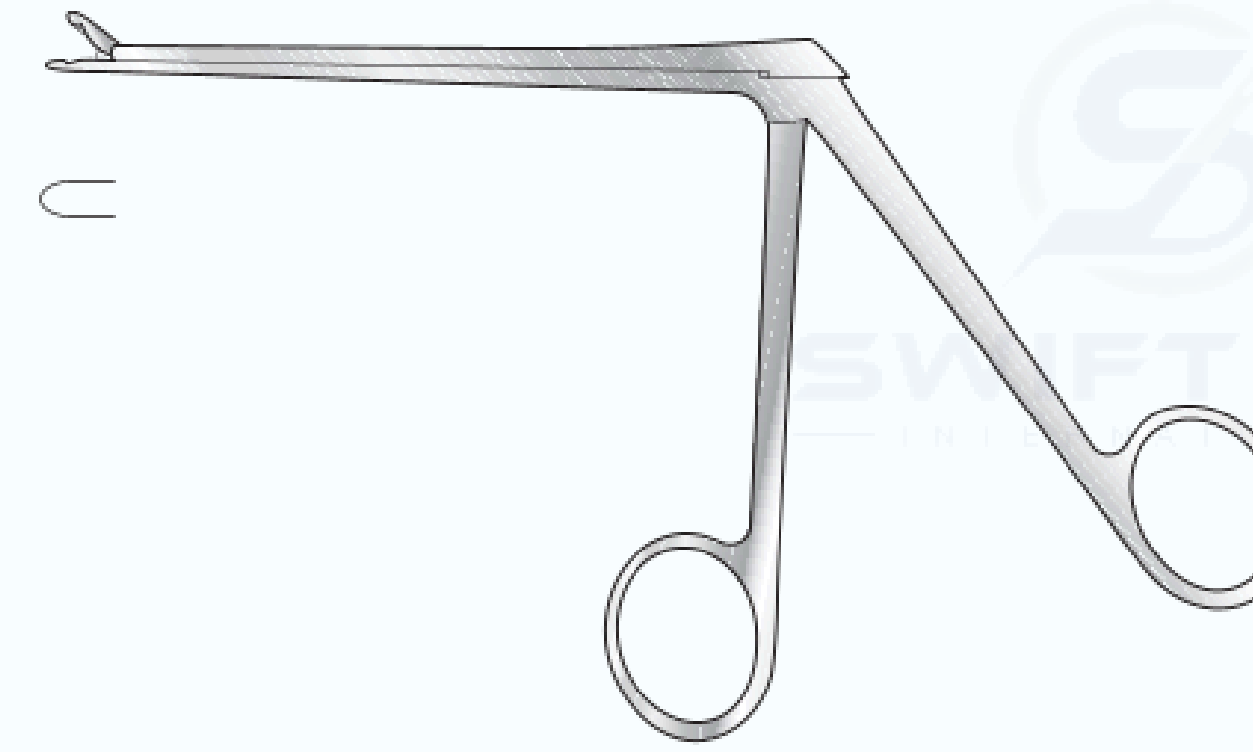
Oblique jaws



SC-NEU/122a	Upward cutting, 3mm bite, 110mm shaft
SC-NEU/122b	Upward cutting, 5mm bite, 110mm shaft
SC-NEU/122c	Downward cutting, 3mm bite, 85mm shaft
SC-NEU/122d	Downward cutting, 5mm bite, 110mm shaft

### Beck Rongeur

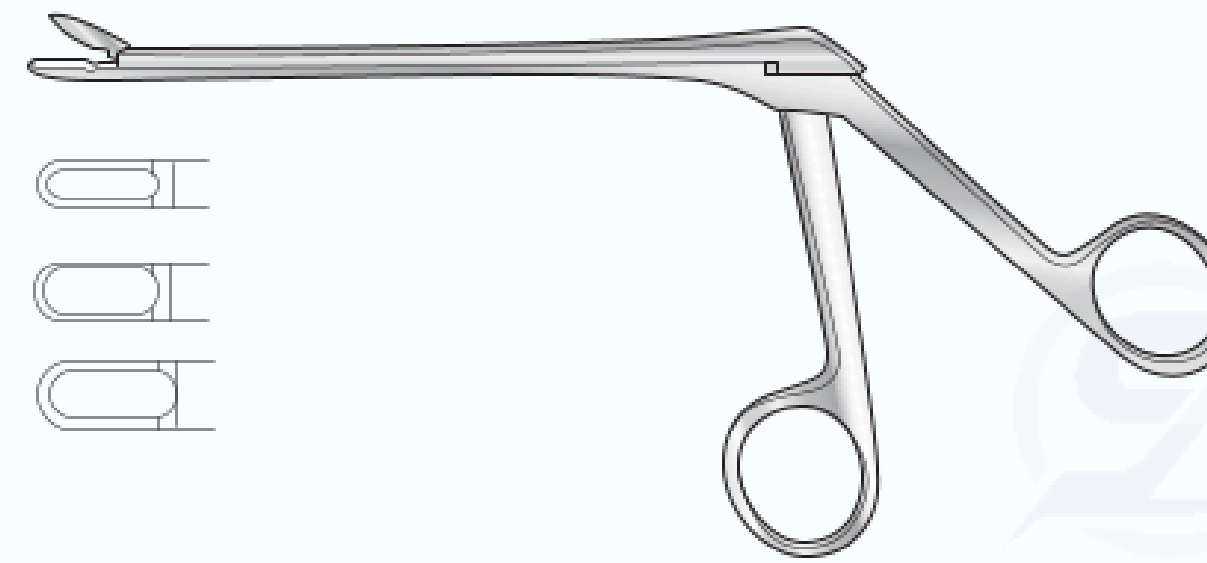
Straight, for intervertebral disc



SC-NEU/125	2mm bite, 130mm shaft
------------	-----------------------

### Cushing Rongeur

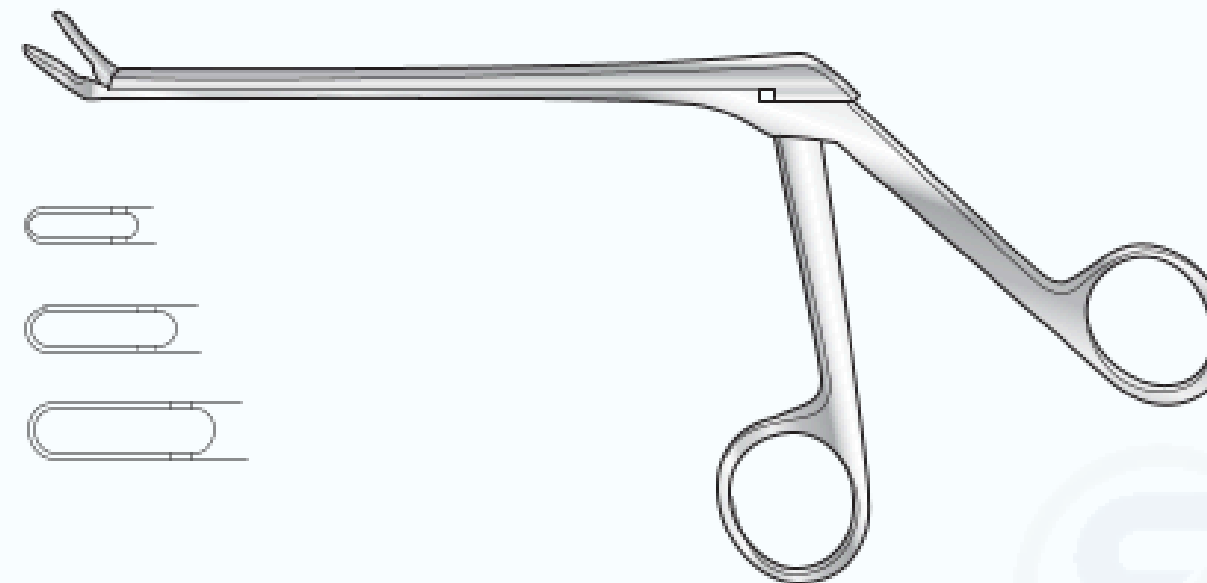
130mm shaft



SC-NEU/127-2	2mm bite
SC-NEU/127-3	3mm bite
SC-NEU/127-4	4mm bite
SC-NEU/127-5	5mm bite
SC-NEU/127-6	6mm bite

### Cushing Rongeur

130mm shaft



150° upward cutting

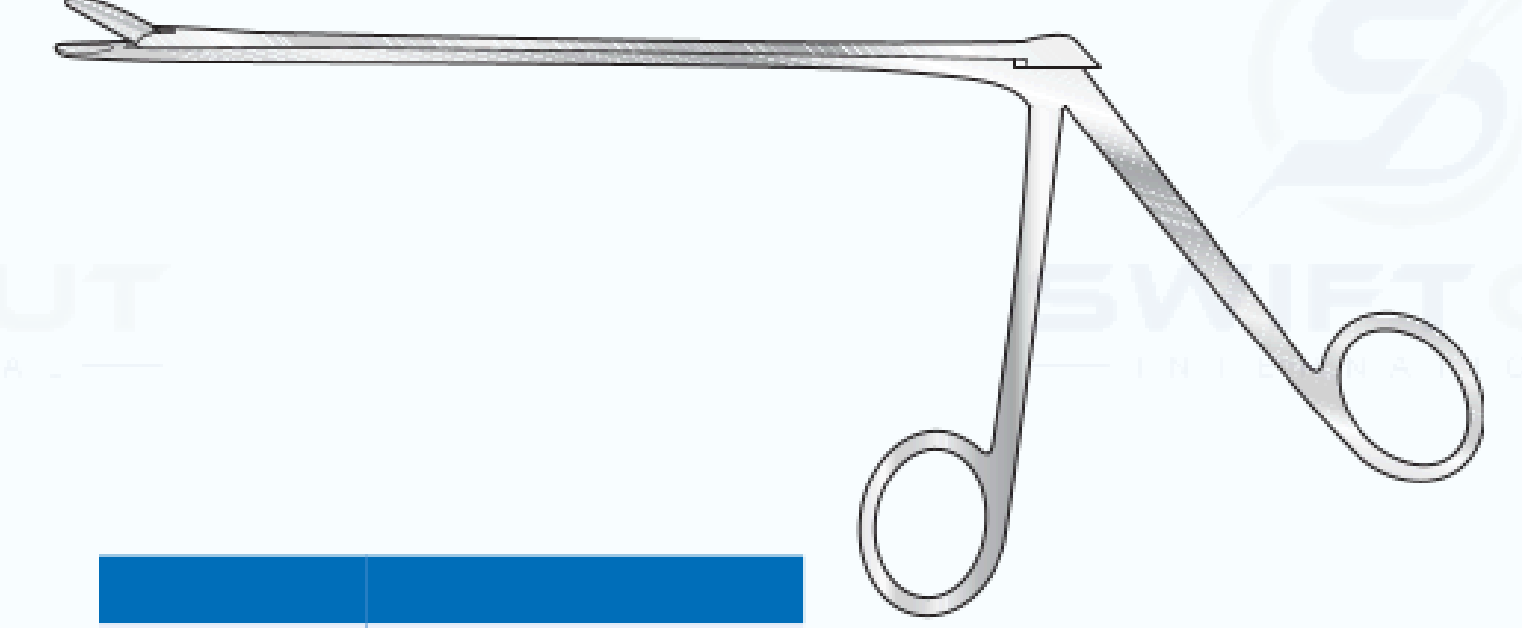
SC-NEU/128c	2mm bite
SC-NEU/128	3mm bite
SC-NEU/128a	4mm bite
SC-NEU/128b	5mm bite

150° downward cutting

SC-NEU/130c	2mm bite
SC-NEU/130	3mm bite
SC-NEU/130a	4mm bite
SC-NEU/130b	5mm bite

### Love-Grunwald Rongeur

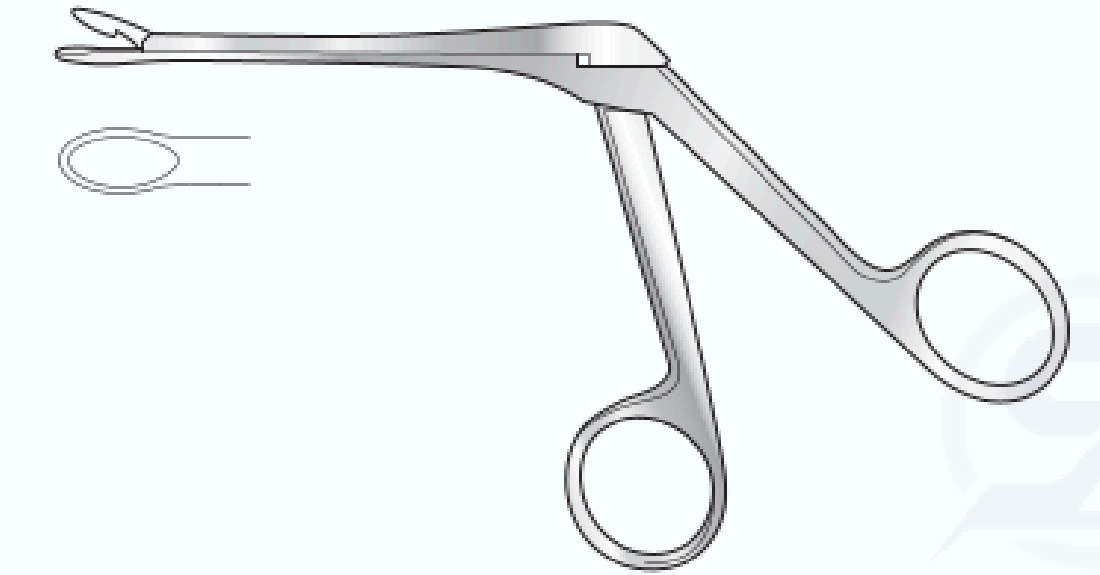
Cup shaped, jaws 3mm x 10mm, 178mm shaft



SC-NEU/131a	Straight
SC-NEU/131b	Curved upward
SC-NEU/131c	Curved downward

### Mackay Rongeur

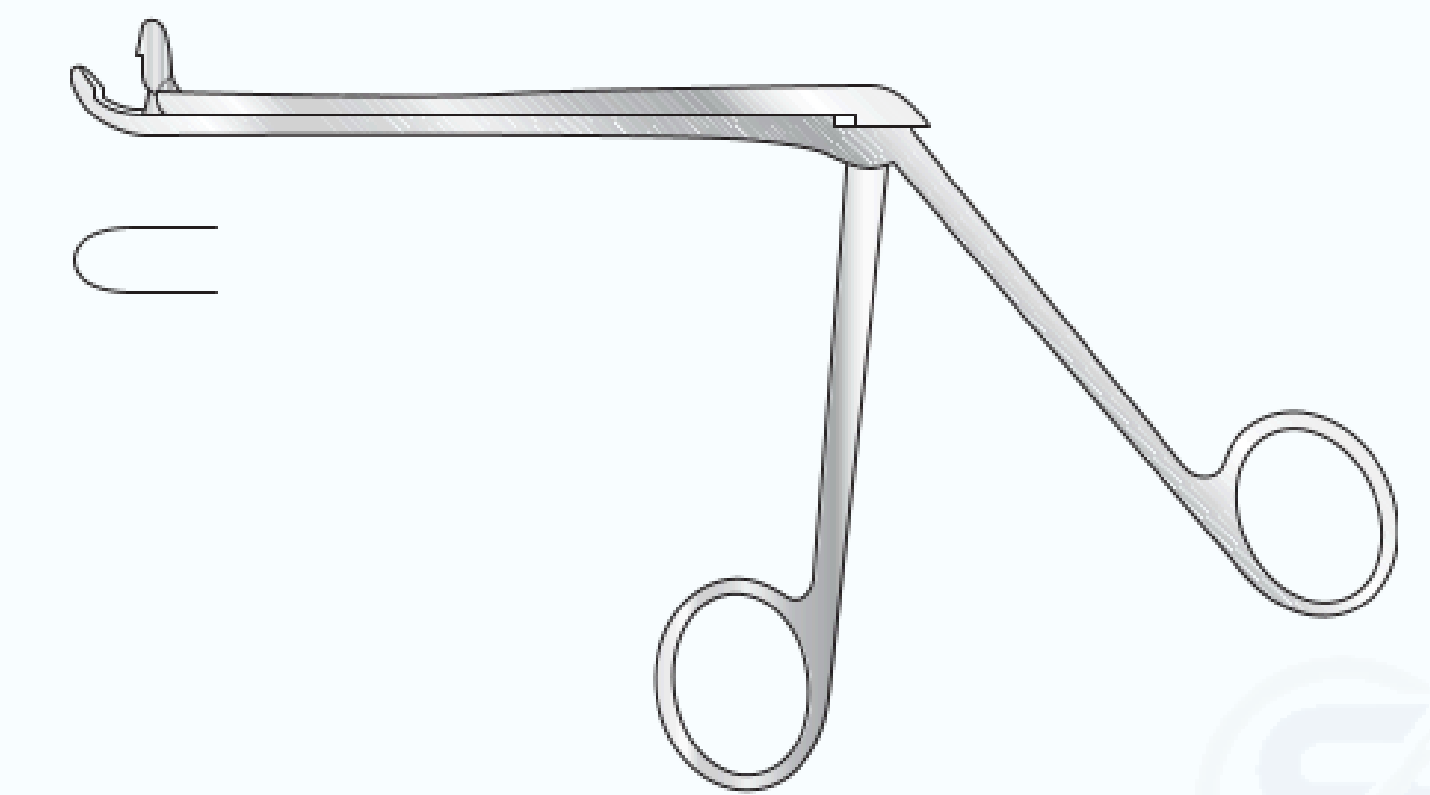
140°, straight, 114mm shaft



S C-S H /424 9	5.5mm
----------------	-------

### Northfield Rongeur

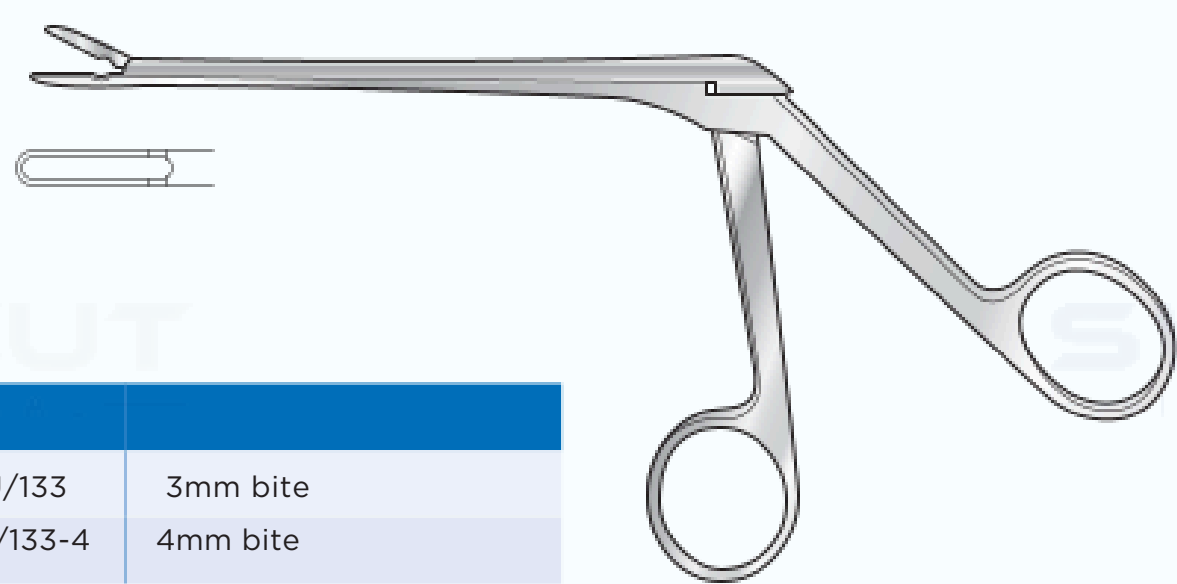
Curved, upward cutting



SC-NEU/132	4mm bite, 133mm shaft
------------	-----------------------

**Pennybacker Rongeur**

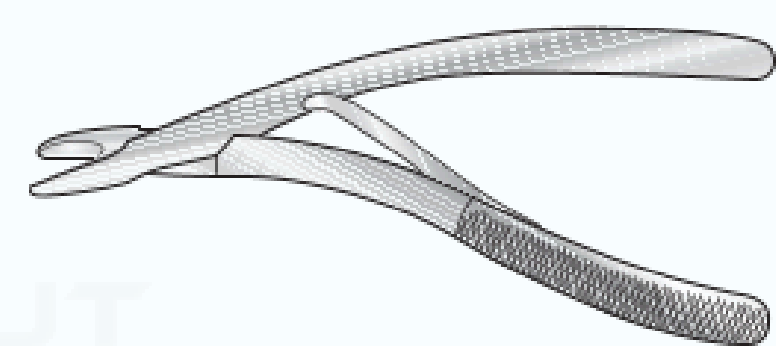
120mm shaft



SC-NEU/133	3mm bite
SC-NEU/133-4	4mm bite

**Daniel Rongeur**

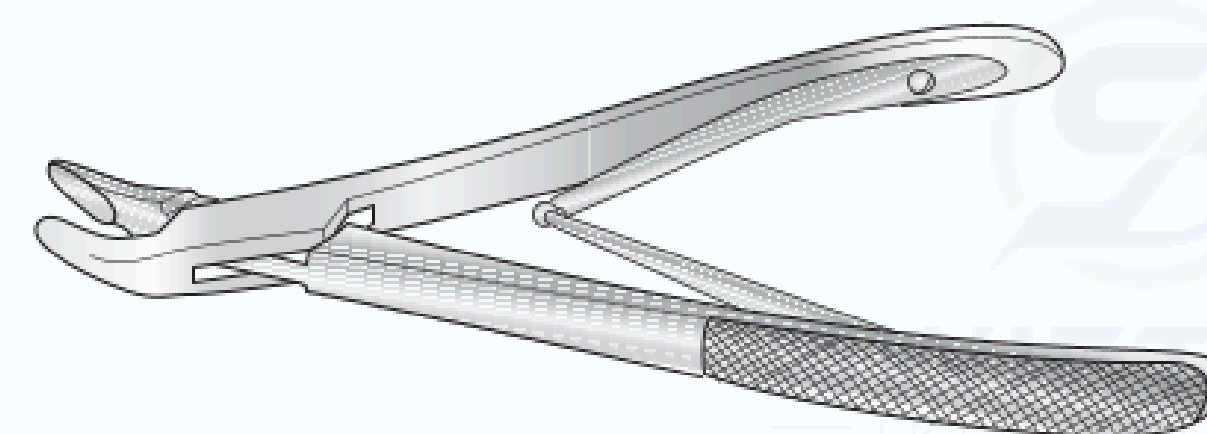
Miniature, for neuro pathology



SC-NEU/104	1.5mm bite, 127mm long
------------	------------------------

**Wilms Rongeur**

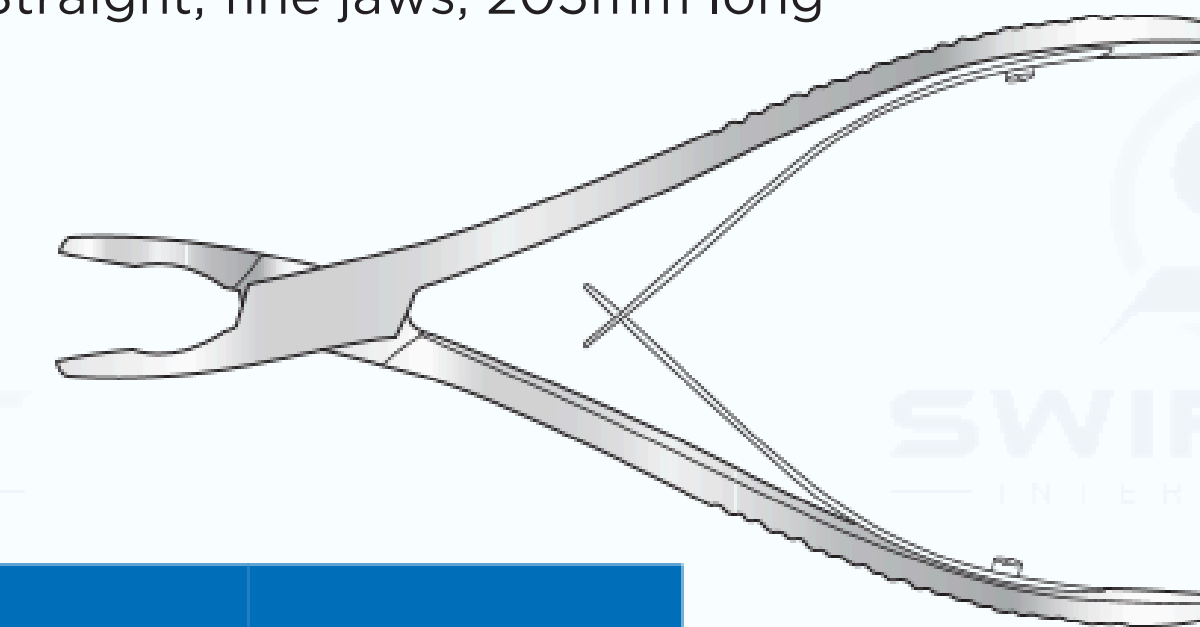
Angled on flat, narrow jaws



SC-NEU/114	4mm bite, 203mm long
------------	----------------------

**Pennybacker Rongeur**

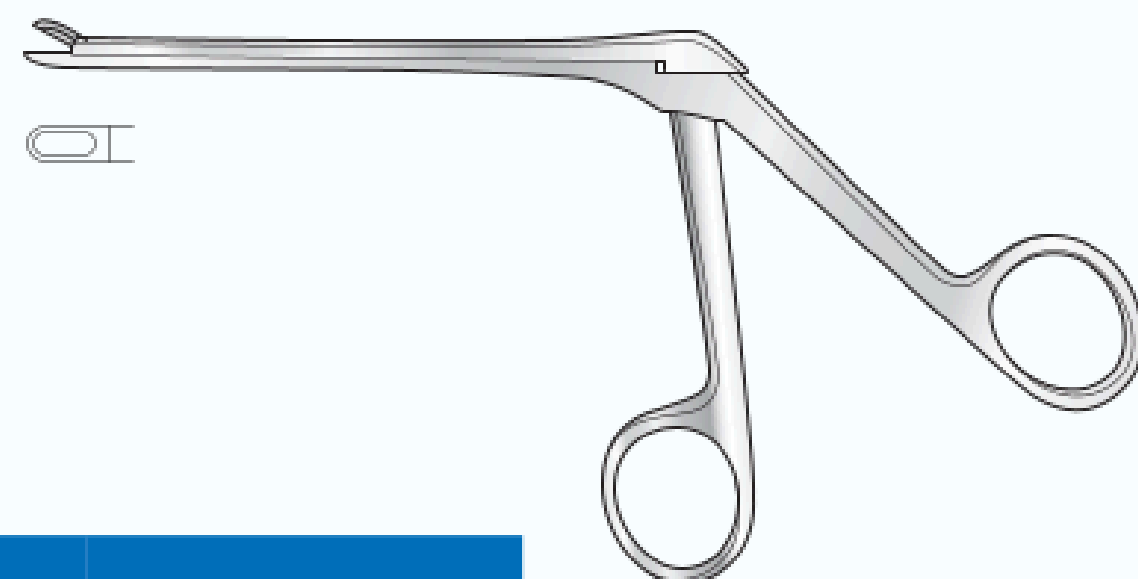
Straight, fine jaws, 203mm long



SC-NEU/107	4mm bite
------------	----------

**St Bart's Rongeur**

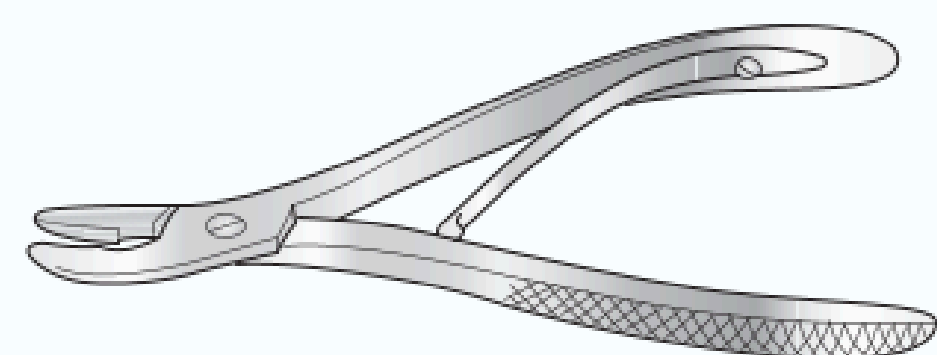
114mm shaft



SC-ENT/140a	3mm bite
-------------	----------

**Cairns Rongeur**

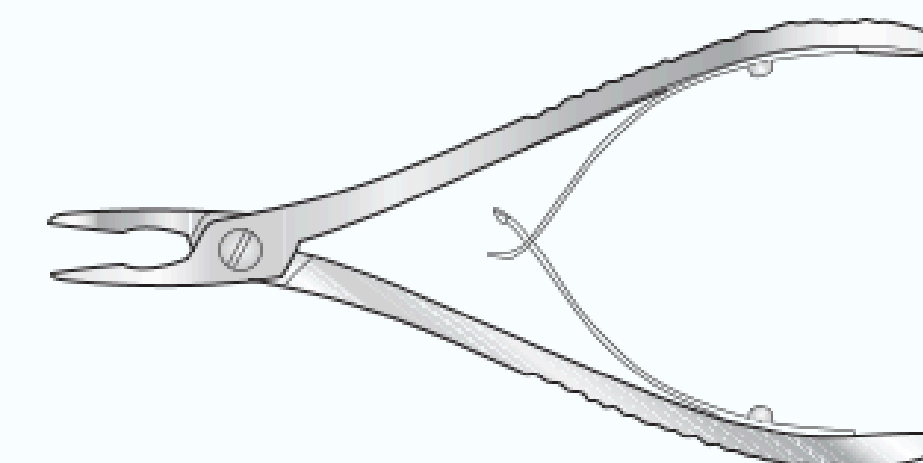
Finejaws, angled on flat, serrated jaws, curved handles



SC-NEU/103	4mm bite 152mm long
------------	---------------------

**Glasgow Pattern Rongeur**

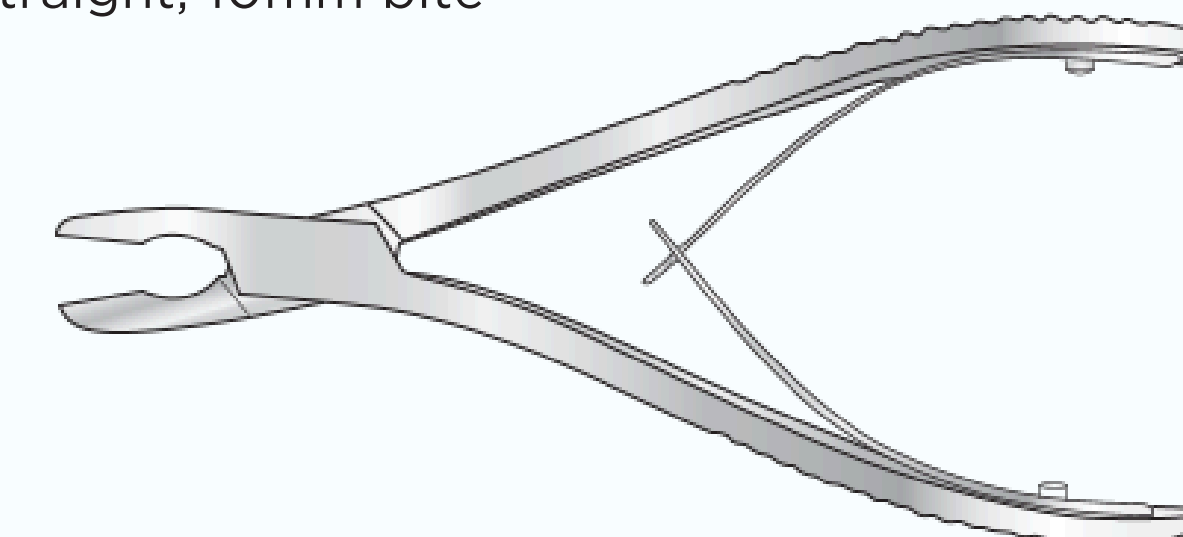
Slightly curved on flat, screw joint



SC-NEU/111	4mm bite, 146mm long
------------	----------------------

**Northfield Rongeur**

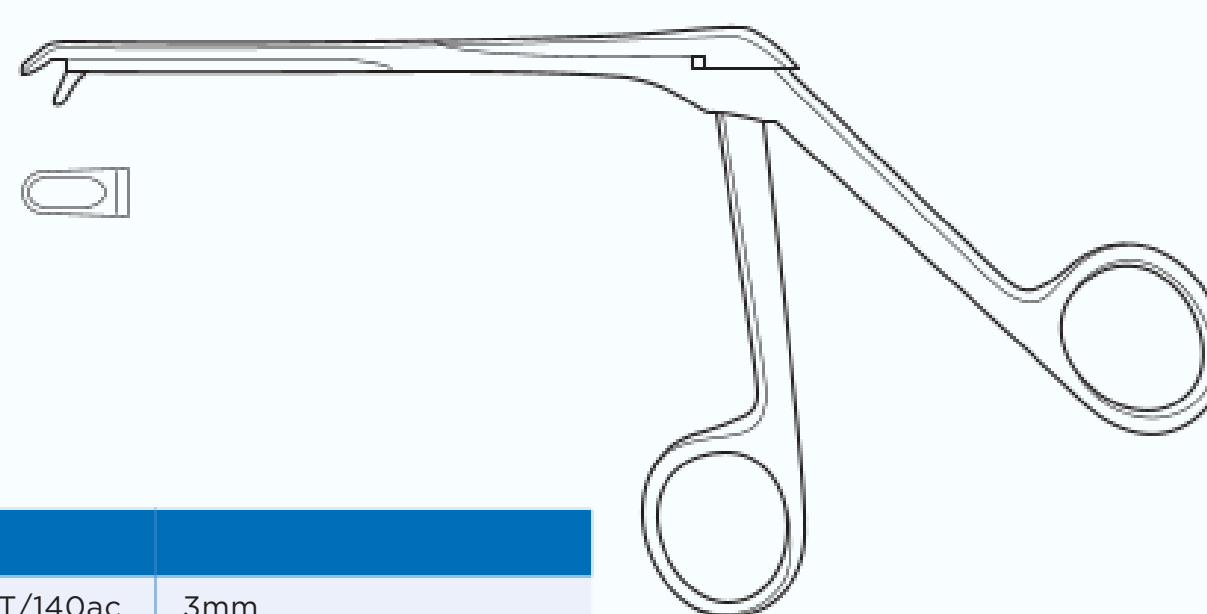
Straight, 10mm bite



SC-NEU/106	One shallow blade, 200mm long
------------	-------------------------------

**St Bart's Rongeur**

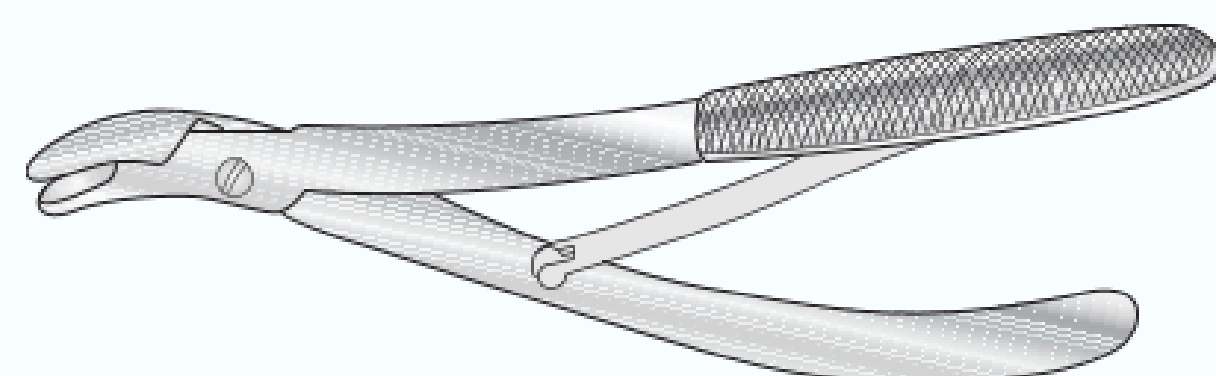
140°, downward cutting, 114mm shaft



SC-ENT/140ac	3mm
--------------	-----

**Danish Pattern Rongeur**

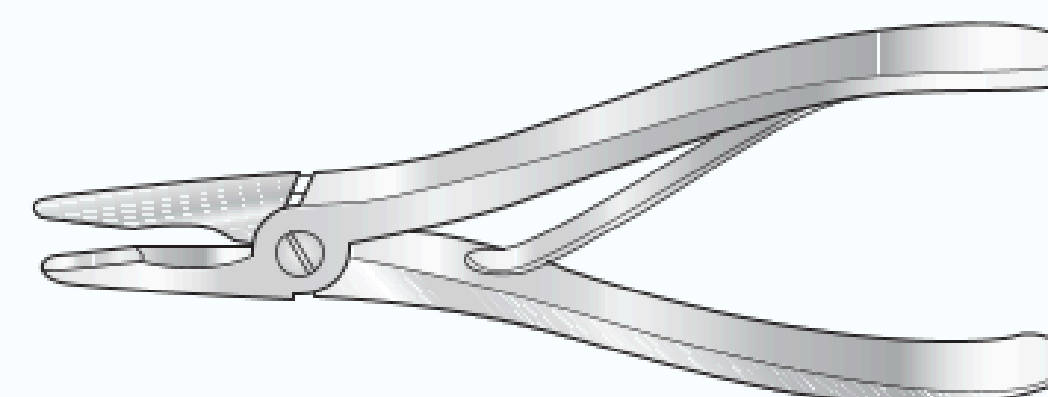
Angled on flat, fine jaws, curved handles, screw joint



SC-NEU/109	4mm bite, 203mm long
------------	----------------------

**Heanley Rongeur**

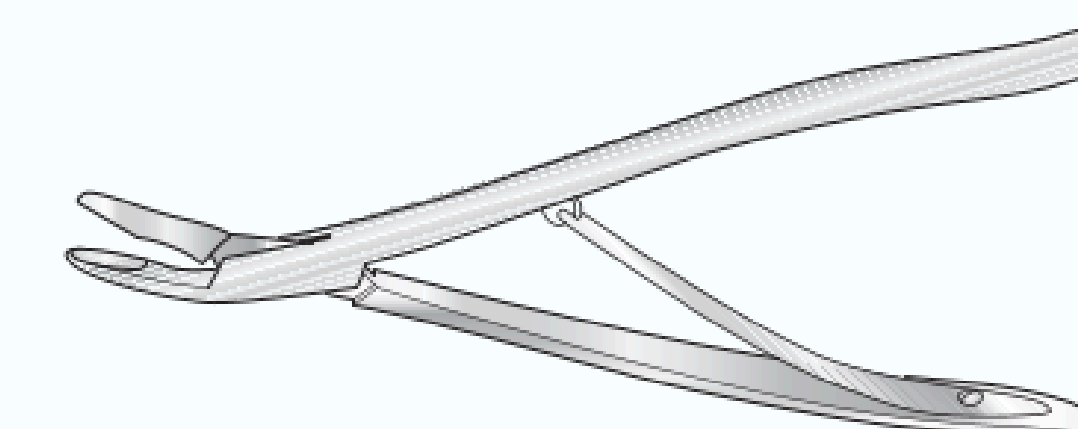
Long finest raight jaws, screw joint



SC-NEU/112	4mm bite, 178mm long
------------	----------------------

**Stookey Rongeur**

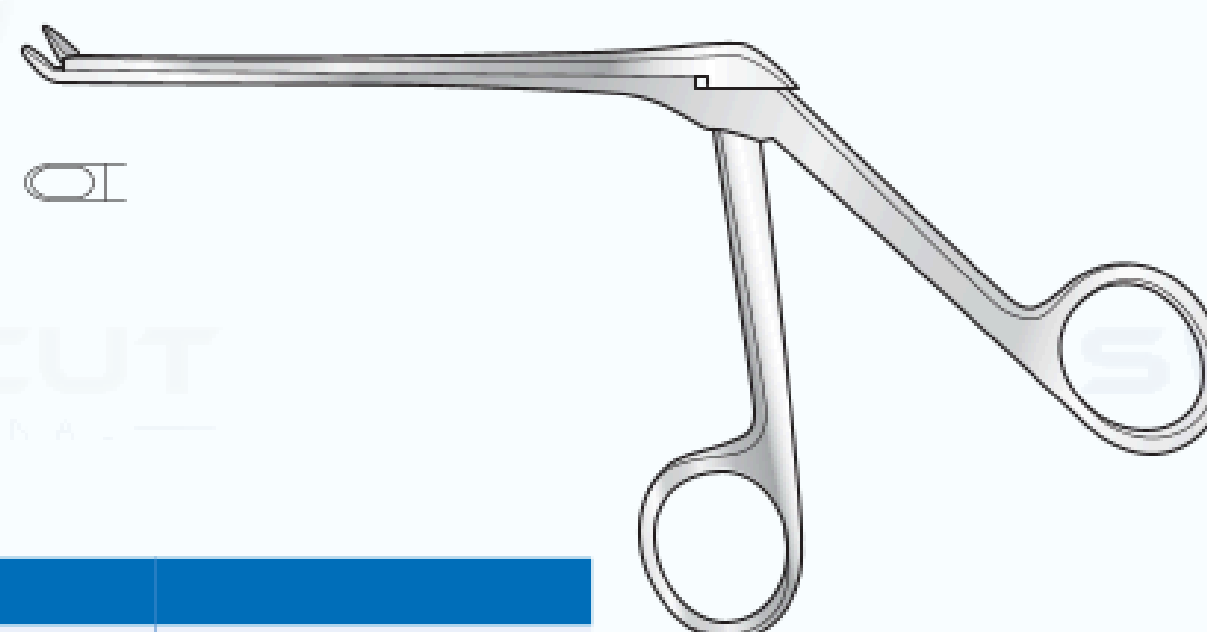
Angled to side, fine jaws



SC-NEU/108	3mm bite, 178mm long
------------	----------------------

**St Bart's Rongeur**

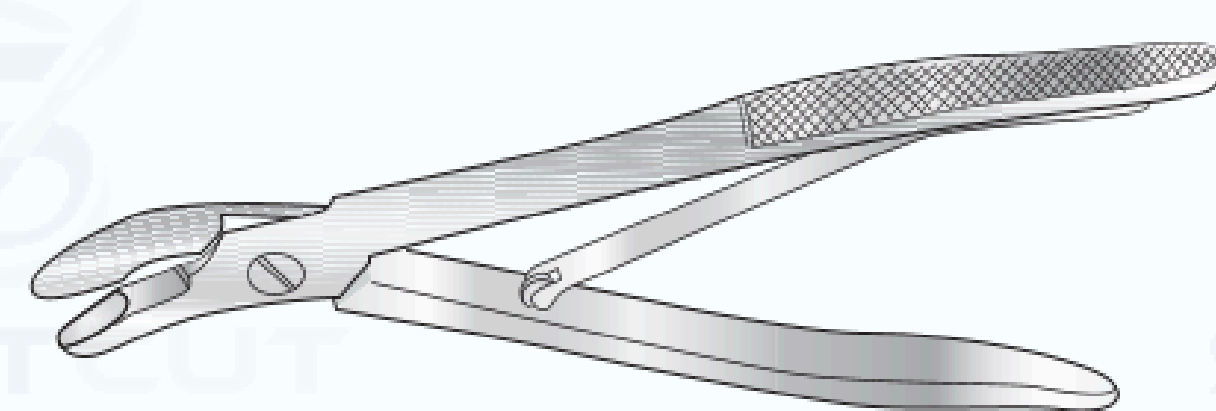
140°, upward cutting, 114mm shaft



SC-ENT/140b	3mm
-------------	-----

**Falconer Rongeur**

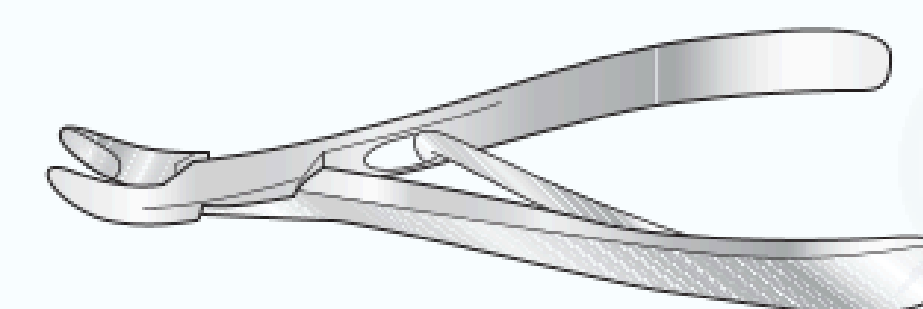
Angled to side, light, screw joint



SC-NEU/110	6mm bite, 203mm long
------------	----------------------

**Jansen Rongeur**

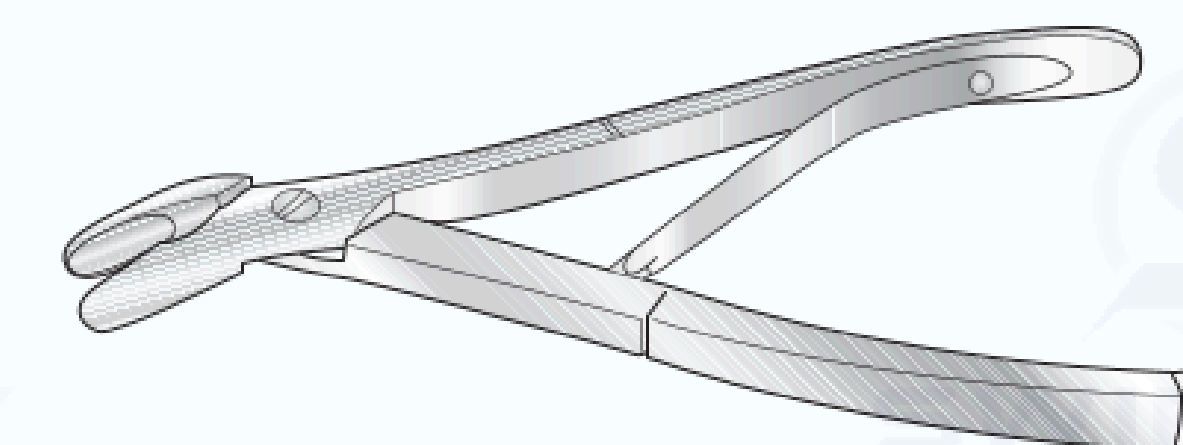
Shortcurve, screwjoint



SC-NEU/105	8mm bite, 152mm long
------------	----------------------

**Trotter Rongeur**

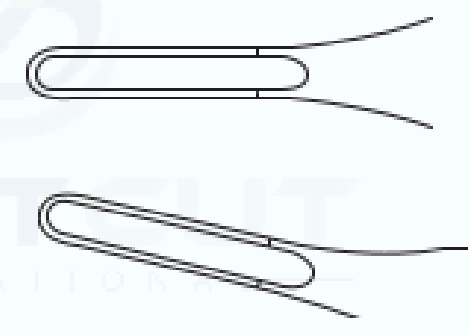
Angled to side, strong, screw joint



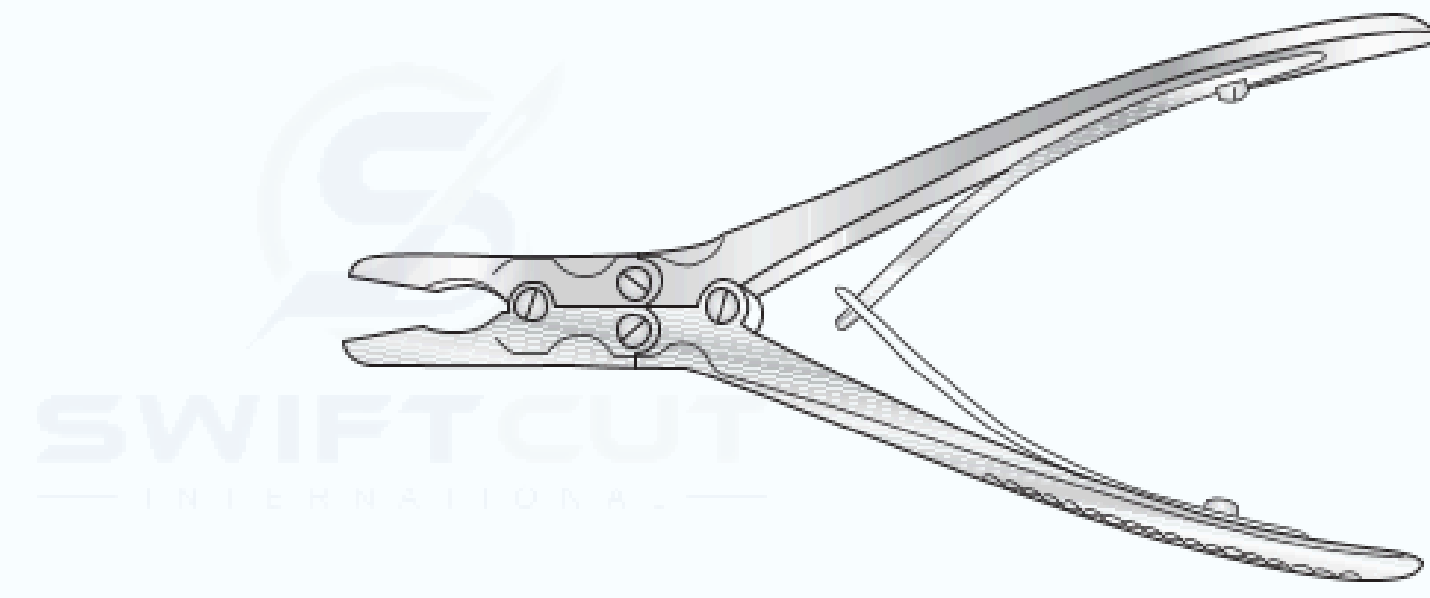
SC-NEU/113	10mm bite, 203mm long
------------	-----------------------

### Luer-Jansen Rongeur

Light, curved on flat, compound action

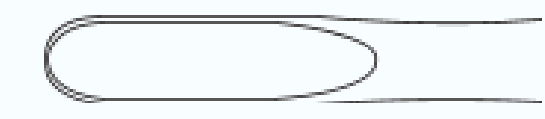


SC-NEU/116	4mm bite, 197mm long
------------	----------------------

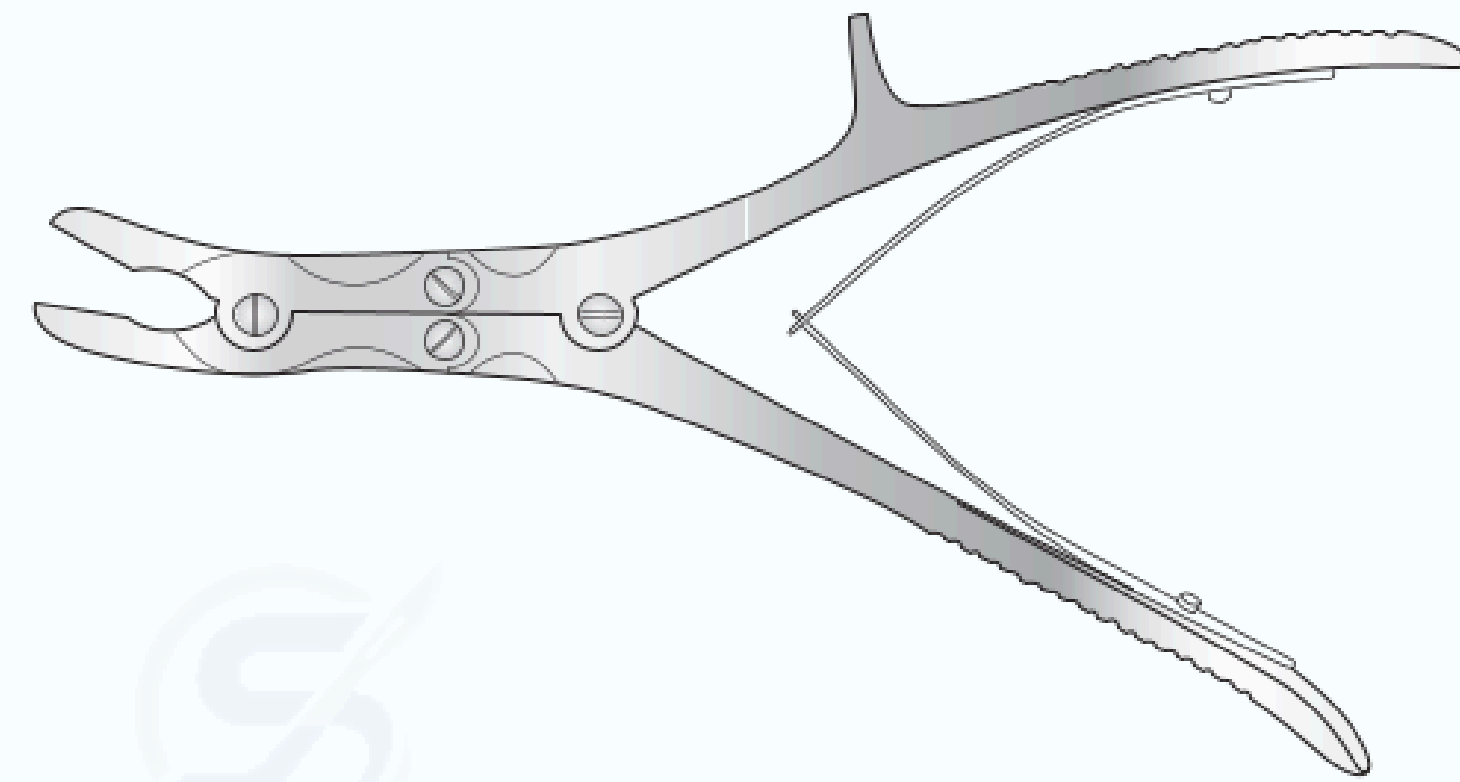


### Olivecrona Rongeur

Angled to side, compound action, 229mm long



SC-NEU/119a	5mm bite
SC-NEU/119b	6mm bite

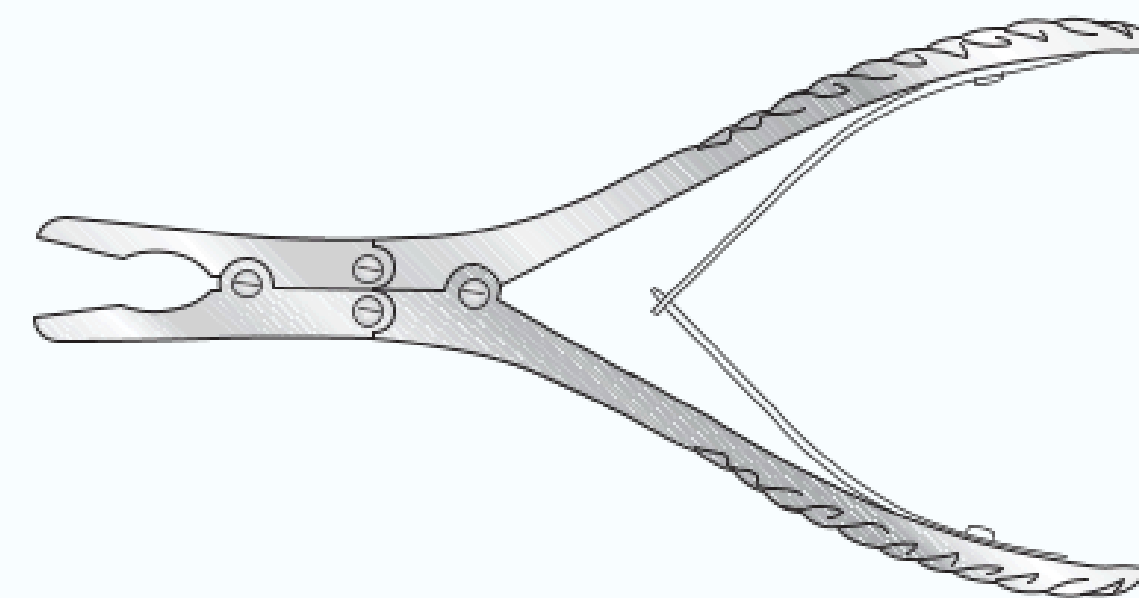


### Ruskin Rongeur

Curved on flat, compound action

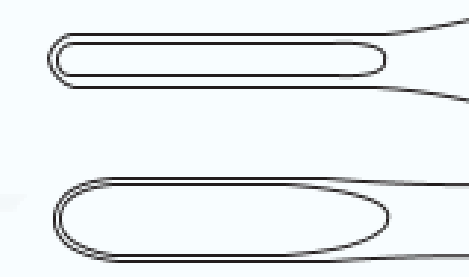


SC-NEU/118	6mm bite, 184mm long
------------	----------------------

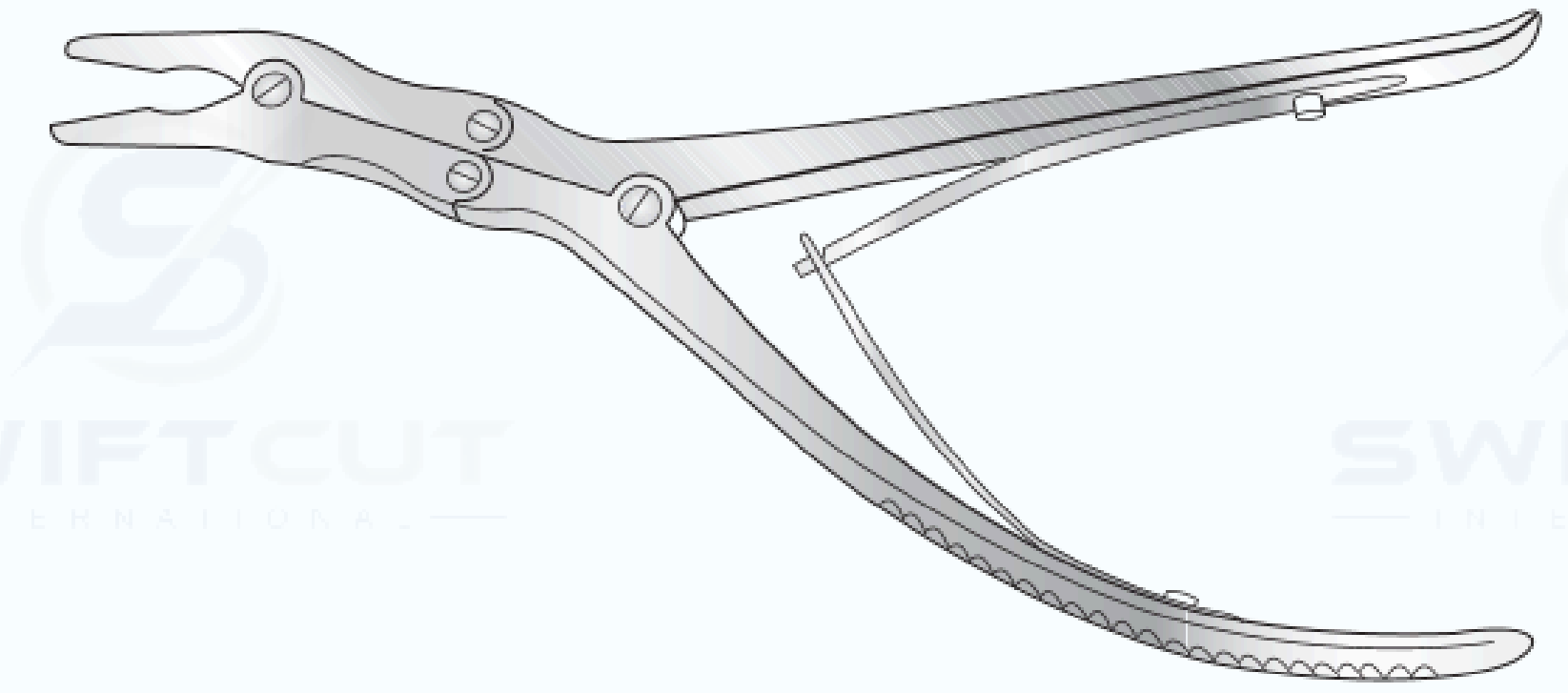


### Leksell Rongeur

Curved to side, compound action

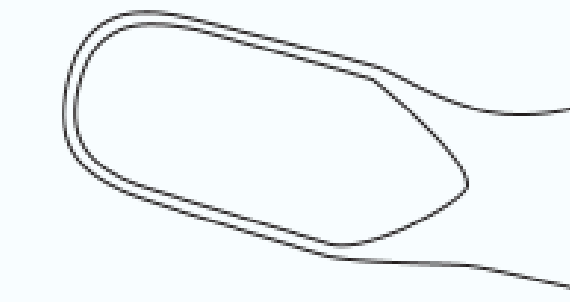


SC-NEU/115a	Small, 6mm bite, 229mm long
SC-NEU/115b	Large, 8mm bite, 254mm long

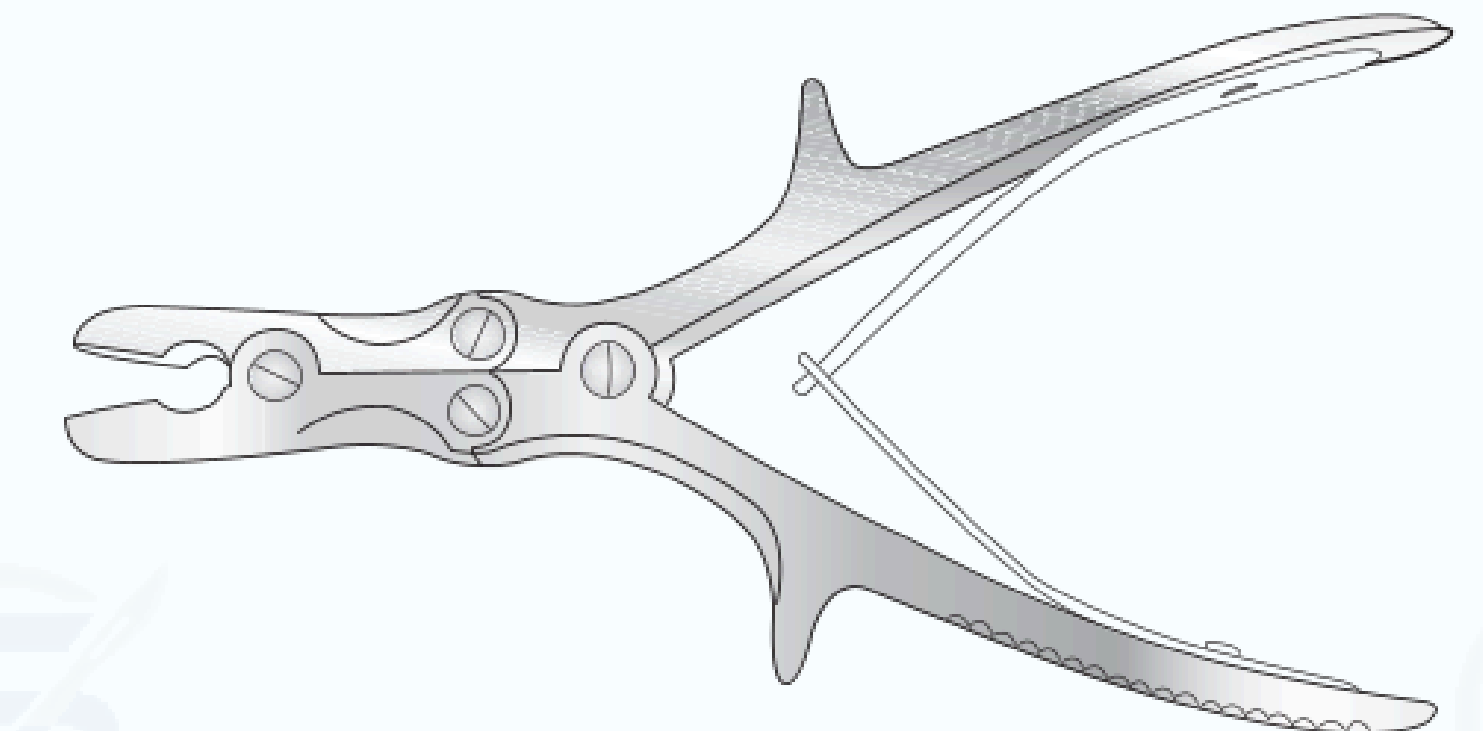


### Luer Stille Bone Rongeur

Curved, 250mm long



SC-OR/071b	11mm bite
SC-NEU/117	Heavy, 229mm long

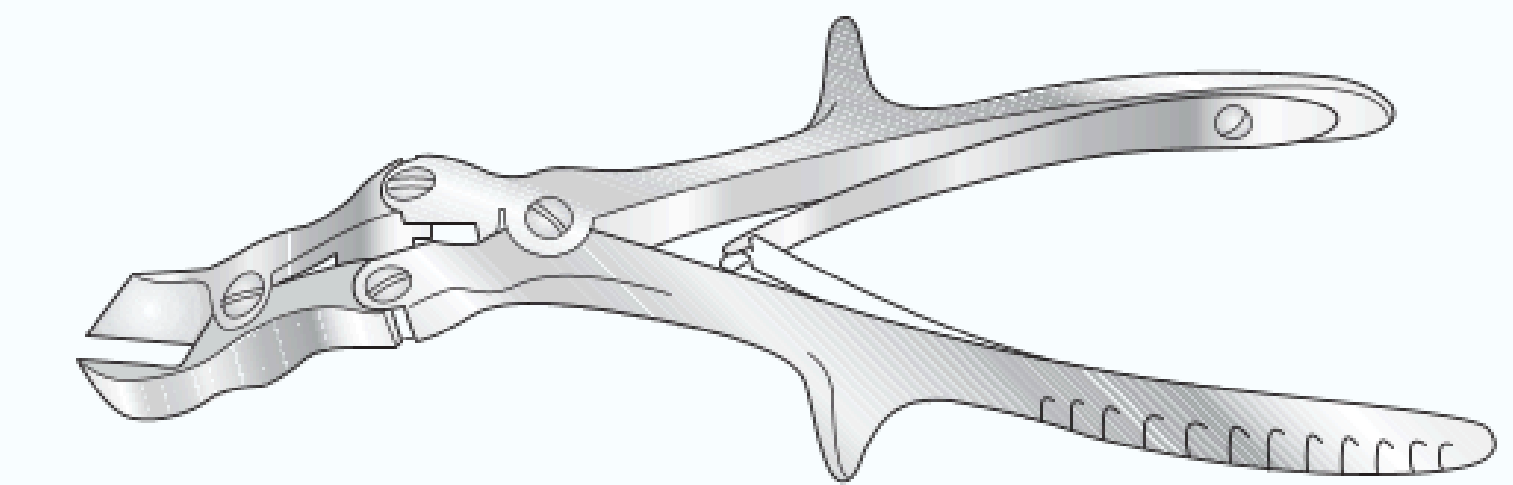


### Swedish Pattern Laminectomy Shears

Double crank, compound action



SC-NEU/121	267mm long
------------	------------



# Rongeurs

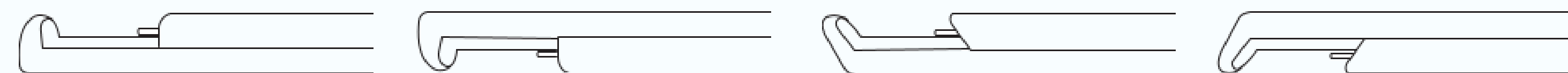
## Kerrison Rongeurs

Clowarddisc punch (notillustrated)  
130° upward cutting, 190mm long  
BLACK CERAMIC COATED KERRISONS AVAILABLE  
PLEASE ADD SUFFIX -BK WHEN ORDERING

SC-NEU/CLO02	2mm wide
SC-NEU/CLO03	3mm wide
SC-NEU/CLO04	4mm wide
SC-NEU/CLO05	5mm wide
SC-NEU/CLO06	6mm wide



Kerrison punch



## Non-Detachable

### 90° upwardcutting

SC-NEU/136	180mm(L) x 1mm(W)
SC-NEU/137	180mm(L) x 2mm(W)
SC-NEU/138	180mm(L) x 3mm(W)
SC-NEU/139	180mm(L) x 4mm(W)
SC-NEU/140	180mm(L) x 5mm(W)
SC-NEU/141	230mm(L) x 2mm(W)
SC-NEU/142	230mm(L) x 3mm(W)
SC-NEU/143	230mm(L) x 4mm(W)
SC-NEU/144	230mm(L) x 5mm(W)

### 90° downward cutting

SC-NEU/154	180mm(L) x 1mm(W)
SC-NEU/155	180mm(L) x 2mm(W)
SC-NEU/156	180mm(L) x 3mm(W)
SC-NEU/157	180mm(L) x 4mm(W)
SC-NEU/158	180mm(L) x 5mm(W)
SC-NEU/159	230mm(L) x 2mm(W)
SC-NEU/160	230mm(L) x 3mm(W)
SC-NEU/161	230mm(L) x 4mm(W)
SC-NEU/162	230mm(L) x 5mm(W)

### 130° upward cutting

SC-NEU/172	180mm(L) x 1mm(W)
SC-NEU/173	180mm(L) x 2mm(W)
SC-NEU/174	180mm(L) x 3mm(W)
SC-NEU/175	180mm(L) x 4mm(W)
SC-NEU/176	180mm(L) x 5mm(W)
SC-NEU/177	200mm(L) x 3mm(W)
SC-NEU/178	200mm(L) x 4mm(W)
SC-NEU/179	200mm(L) x 5mm(W)
SC-NEU/180	200mm(L) x 6mm(W)
SC-NEU/181	230mm(L) x 2mm(W)
SC-NEU/182	230mm(L) x 3mm(W)
SC-NEU/183	230mm(L) x 4mm(W)
SC-NEU/184	230mm(L) x 5mm(W)

### 130° downward cutting

SC-NEU/198	180mm(L) x 1mm(W)
SC-NEU/199	180mm(L) x 2mm(W)
SC-NEU/200	180mm(L) x 3mm(W)
SC-NEU/201	180mm(L) x 4mm(W)
SC-NEU/202	180mm(L) x 5mm(W)
SC-NEU/203	230mm(L) x 2mm(W)
SC-NEU/204	230mm(L) x 3mm(W)
SC-NEU/205	230mm(L) x 4mm(W)
SC-NEU/206	230mm(L) x 5mm(W)

## Detachable

### 90° upwardcutting

SC-NEU/145	180(L) x 1mm(W)
SC-NEU/146	180(L) x 2mm(W)
SC-NEU/147	180(L) x 3mm(W)
SC-NEU/148	180(L) x 4mm(W)
SC-NEU/149	180(L) x 5mm(W)
SC-NEU/150	230(L) x 2mm(W)
SC-NEU/151	230(L) x 3mm(W)
SC-NEU/152	230(L) x 4mm(W)
SC-NEU/153	230(L) x 5mm(W)

### 90° downward cutting

SC-NEU/163	180(L) x 1mm(W)
SC-NEU/164	180(L) x 2mm(W)
SC-NEU/165	180(L) x 3mm(W)
SC-NEU/166	180(L) x 4mm(W)
SC-NEU/167	180(L) x 5mm(W)
SC-NEU/168	230(L) x 2mm(W)
SC-NEU/169	230(L) x 3mm(W)
SC-NEU/170	230(L) x 4mm(W)
SC-NEU/171	230(L) x 5mm(W)

### 130° upward cutting

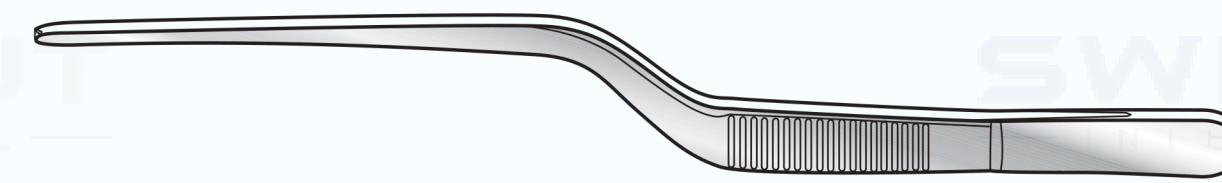
SC-NEU/185	180(L) x 1mm(W)
SC-NEU/186	180(L) x 2mm(W)
SC-NEU/187	180(L) x 3mm(W)
SC-NEU/188	180(L) x 4mm(W)
SC-NEU/189	180(L) x 5mm(W)
SC-NEU/190	200(L) x 3mm(W)
SC-NEU/191	200(L) x 4mm(W)
SC-NEU/192	200(L) x 5mm(W)
SC-NEU/193	200(L) x 6mm(W)
SC-NEU/194	230(L) x 2mm(W)
SC-NEU/195	230(L) x 3mm(W)
SC-NEU/196	230(L) x 4mm(W)
SC-NEU/197	230(L) x 5mm(W)

### 130° downward cutting

SC-NEU/207	180(L) x 1mm(W)
SC-NEU/208	180(L) x 2mm(W)
SC-NEU/209	180(L) x 3mm(W)
SC-NEU/210	180(L) x 4mm(W)
SC-NEU/211	180(L) x 5mm(W)
SC-NEU/212	230(L) x 2mm(W)
SC-NEU/213	230(L) x 3mm(W)
SC-NEU/214	230(L) x 4mm(W)
SC-NEU/215	230(L) x 5mm(W)

## Adson Dissecting Forceps

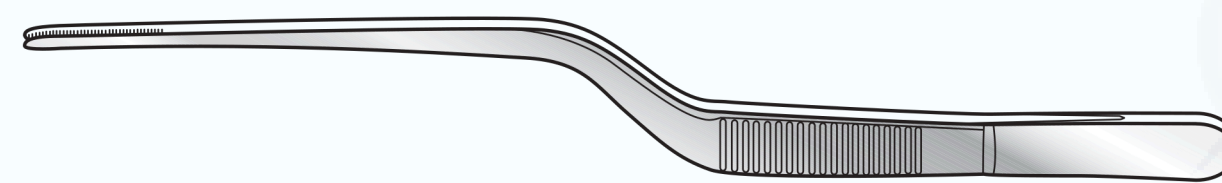
Bayonet, 1-2 teeth, jaw 2.5mm at tip



SC-NEU/001c	191mm long
-------------	------------

## Adson Dissecting Forceps

Bayonet, fine, serrated jaws, jaw 2.5mm at tip



SC-NEU/009	178mm long
------------	------------

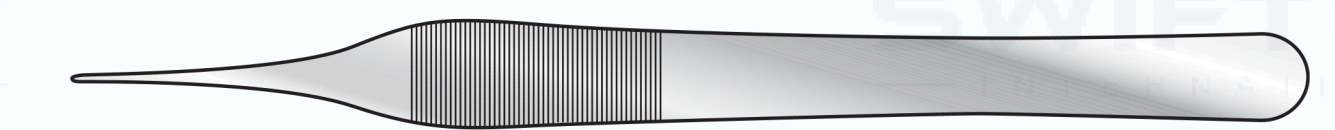
## Northfield Dressing Forceps

Extra light, serrated jaws



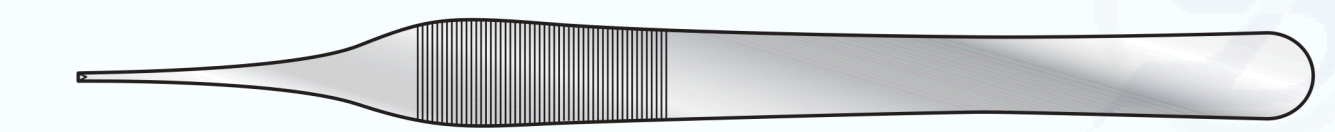
SC-NEU/014	1mm wide, 203mm long
------------	----------------------

## Jefferson Dressing Forceps



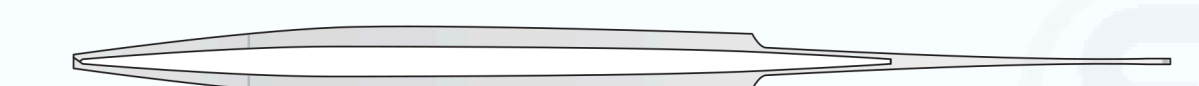
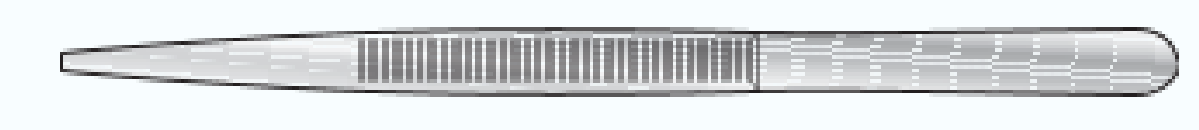
SC-NEU/013	Serrated jaws, 178mm long
------------	---------------------------

## Jefferson Forceps



SC-NEU/002	Fine, 1-2 teeth, 178mm long
------------	-----------------------------

## Pennybacker Dissecting Forceps



SC-NEU/005	3-4 teeth, 165mm long
------------	-----------------------

**Silcock Iris Forceps**

102mm long



SC-NEU/006	1-2 teeth
SC-NEU/015	Serrated jaws

**Cairns Dissecting Forceps**

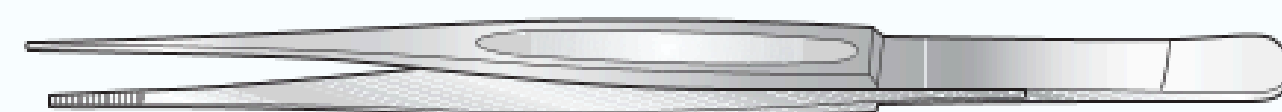
Delicate, 2-3 teeth



SC-NEU/003a	165mm long
SC-NEU/003b	216mm long

**Cairns (Dott) Dressing Forceps**

Serrated jaws



SC-NEU/010	Medium, 2mm wide, 216mm long
SC-NEU/012	Fine, 1mm wide, 178mm long

**Dott Dissecting Forceps**

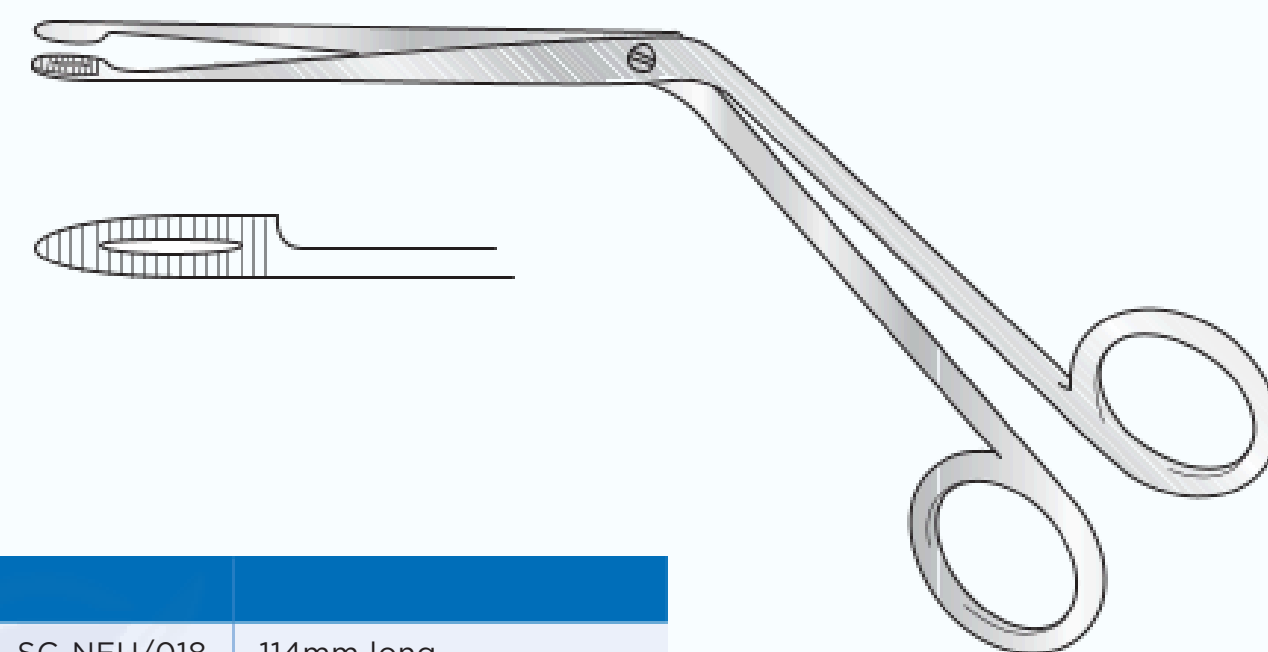
Fine, 1-2 teeth



SC-NEU/004	178mm long
------------	------------

**Dott Dressing Forceps**

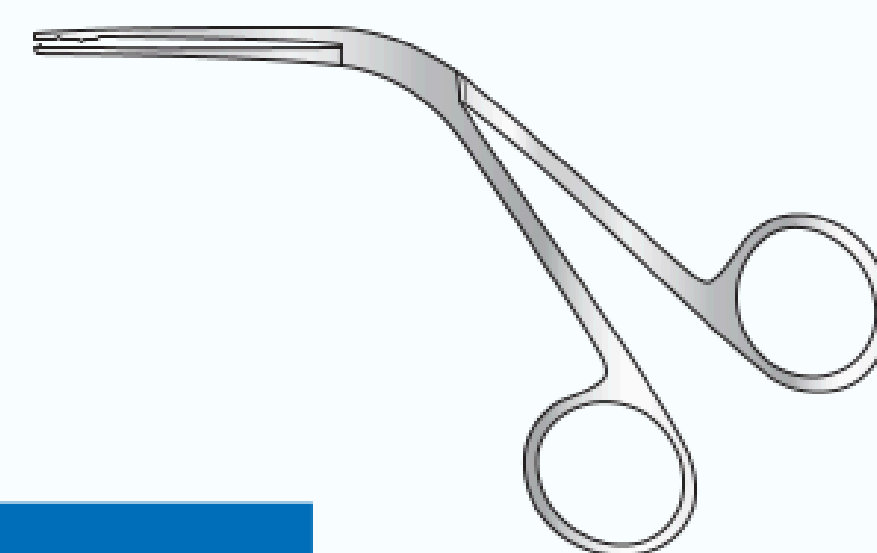
Angled



SC-NEU/018	114mm long
------------	------------

**Tilley Dressing Forceps**

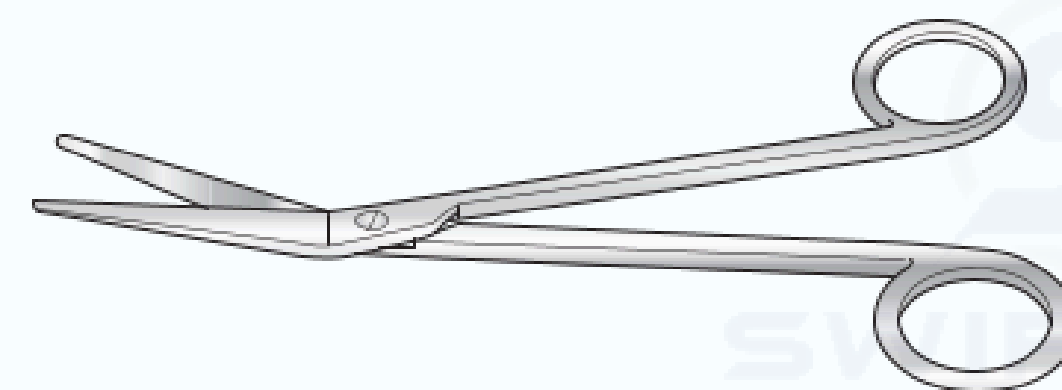
Angled, serrated ends



SC-NEU/017	89mm long
------------	-----------

**Cairns Scissors**

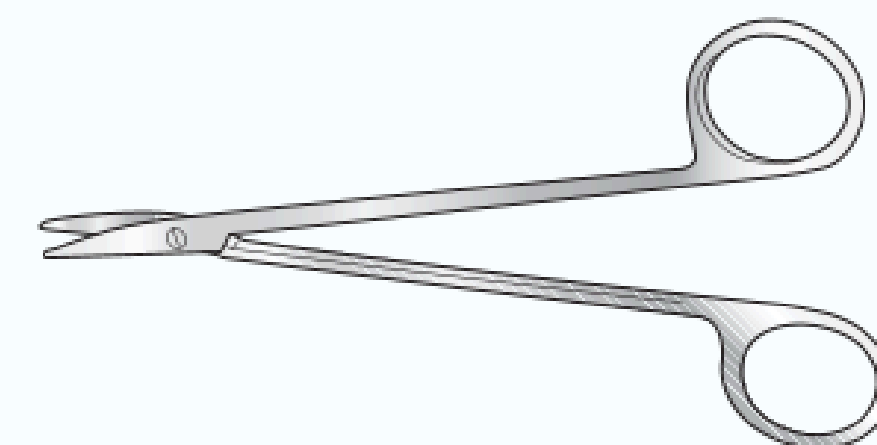
Angled on flat



SC-NEU/020	178mm long
------------	------------

**McKissock Scissors**

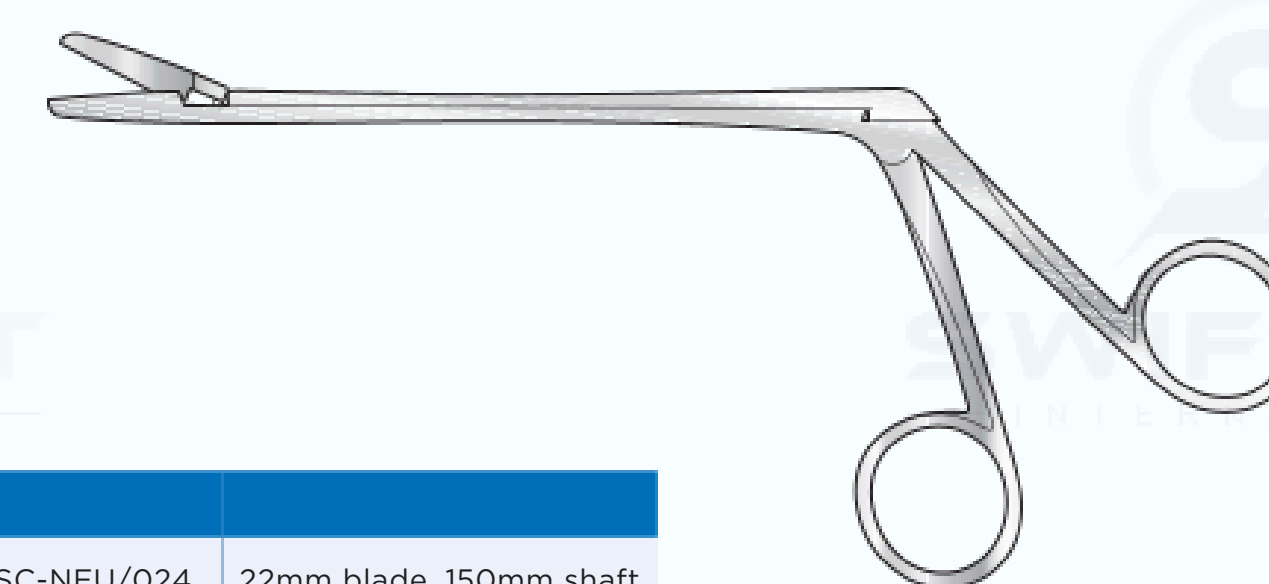
Straight



SC-NEU/021a	146mm long
-------------	------------

**Olivecrona Scissors**

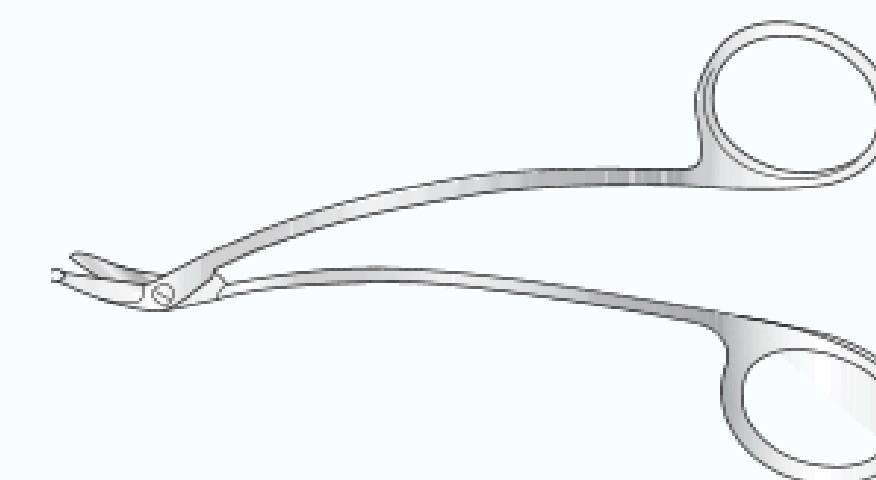
Angled, with all micro serrated blade



SC-NEU/024	22mm blade, 150mm shaft
------------	-------------------------

**Schmieden (Taylor) Scissors**

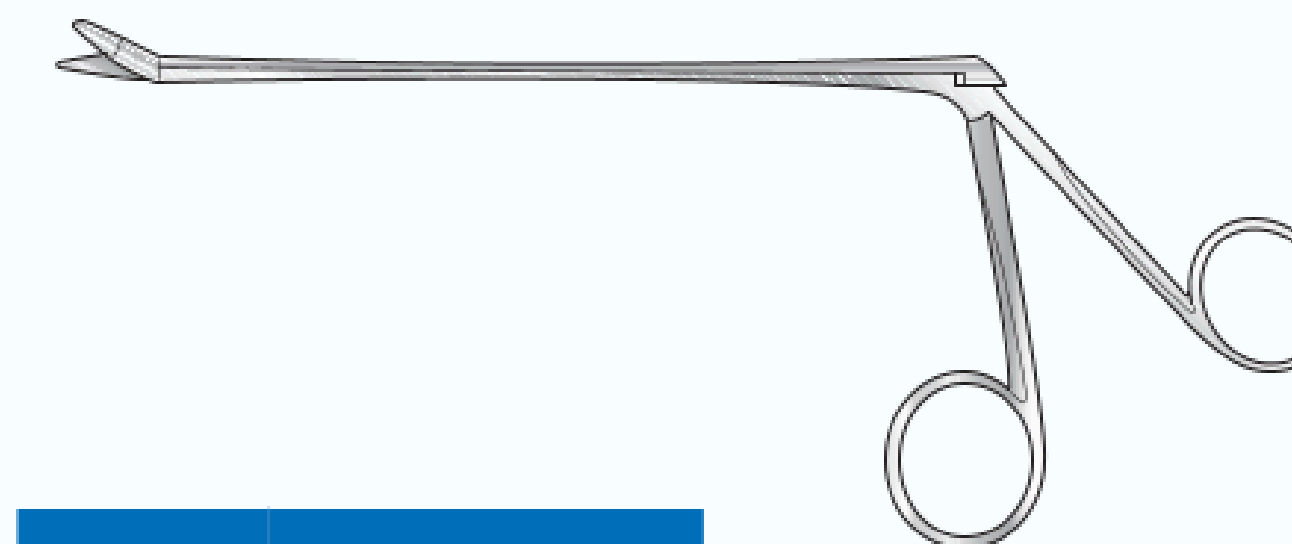
Angled, probe-pointed under blade



SC-NEU/023	146mm long
------------	------------

**Sweet Scissors**

Delicate



SC-NEU/025a	7mm blade, 144mm shaft
SC-NEU/030	13mm blade, 117mm shaft