

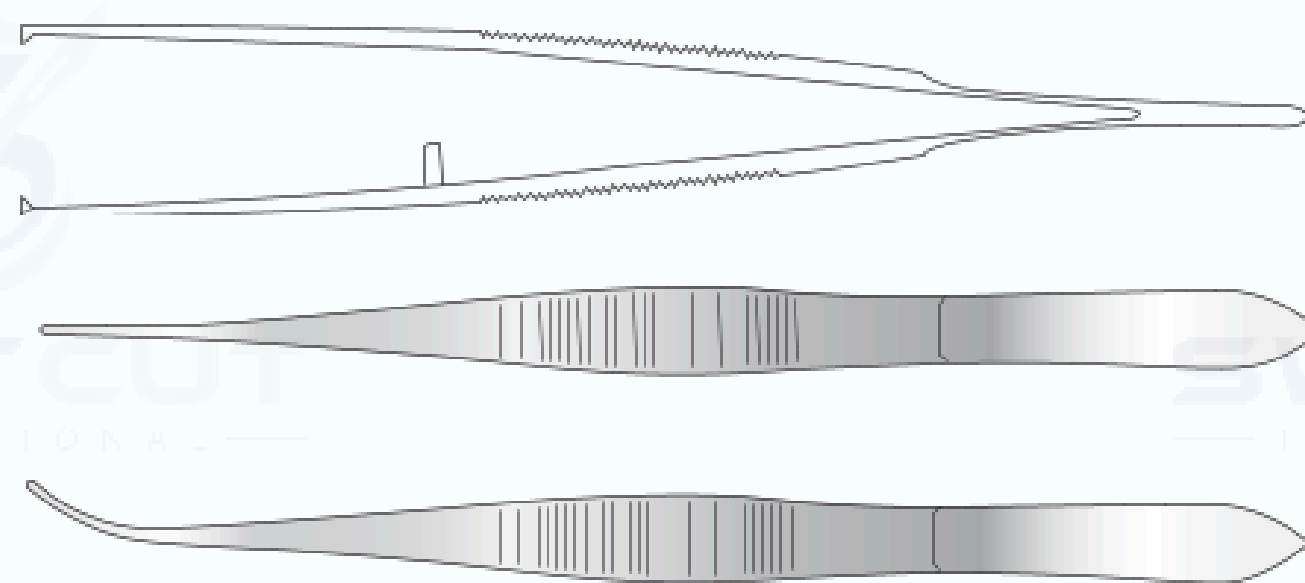
OPHTHALMIC/ MICRO

A delicate, high-precision collection for ocular and microsurgical procedures. Includes micro forceps, scissors, needle holders, cannulas, speculums, and knives designed for fine tissue manipulation under high magnification. Ultra-fine tips, smooth spring-action handles, and non-glare surfaces provide exceptional control and visibility in confined fields. Ideal for anterior/posterior segment surgery, corneal repair, and delicate micro-anastomosis. Crafted from premium stainless steel for lasting sharpness and tactile sensitivity.



Iris Forceps

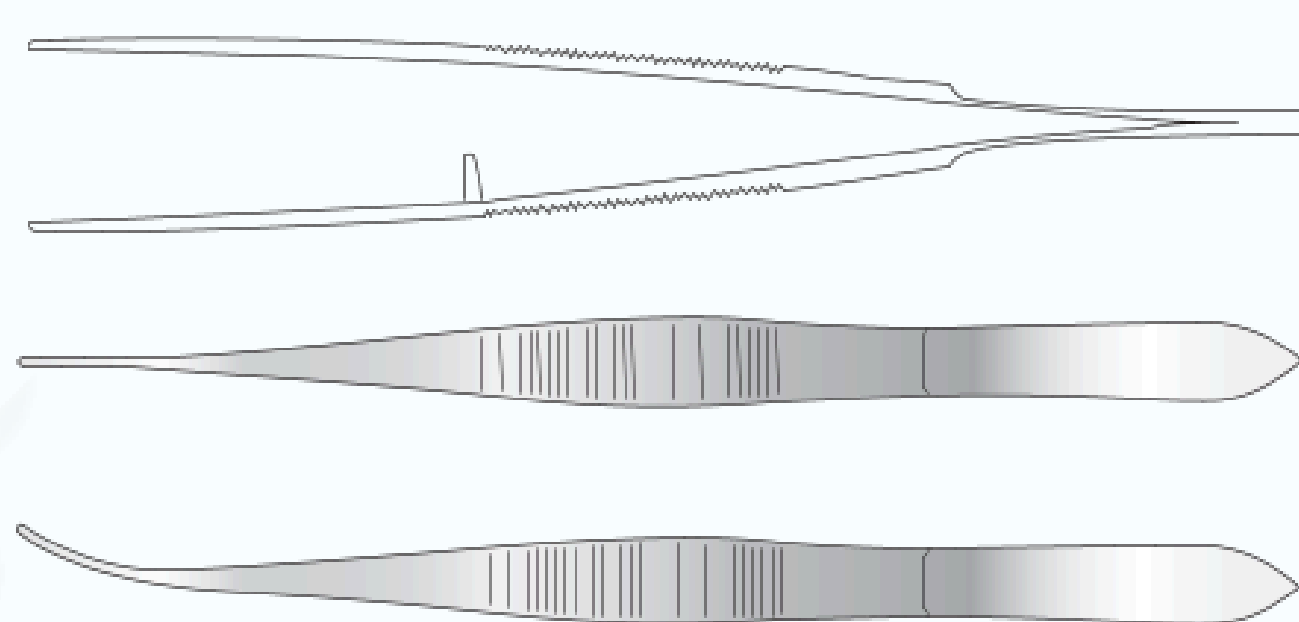
1-2teeth, 114mm long



SC-OP/01	Straight
SC-S-C-O-P/02	Curved

Iris Forceps

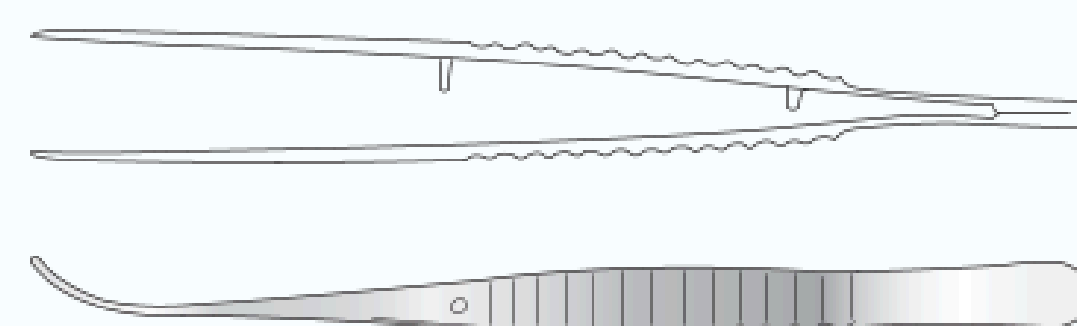
Serrated, 114mm long



SC-OP/03	Straight
SC-OP/04	Curved

Iris Forceps

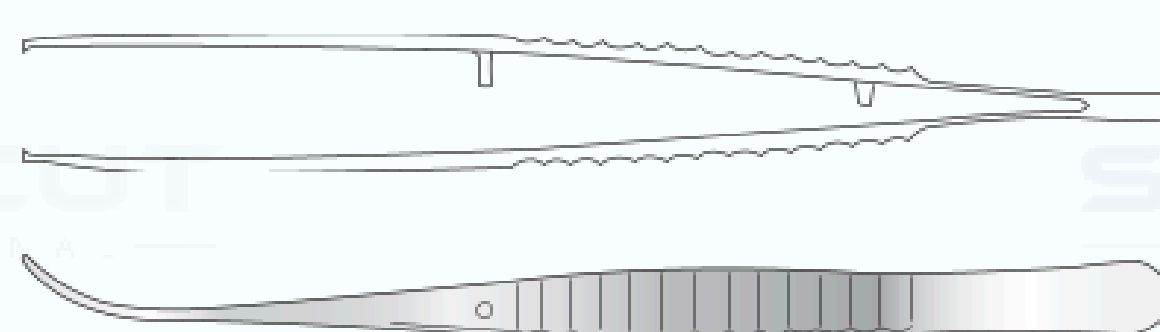
Extra fine, serrated, 94mm long



SC-OP/06	Curved
----------	--------

Iris Fixation Forceps

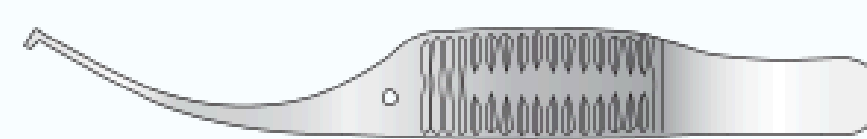
Extra fine, 1-2 teeth, 102mm long



SC-OP/05	Curved
----------	--------

Barraquer Corneal Forceps

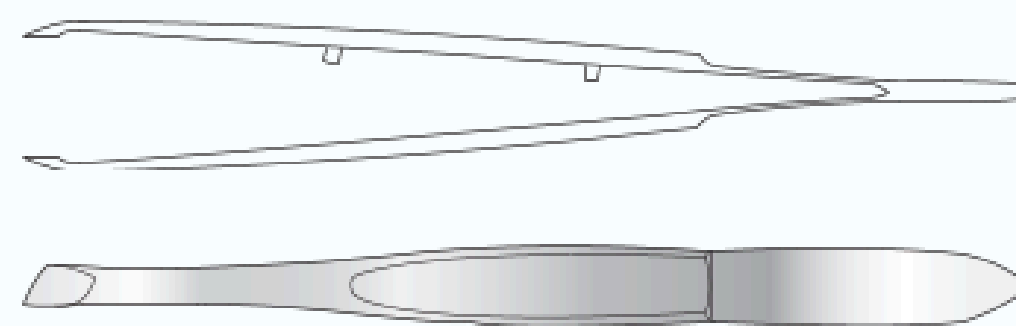
76mm long



SC-OP/023	1-2 teeth
-----------	-----------

Epilation Forceps

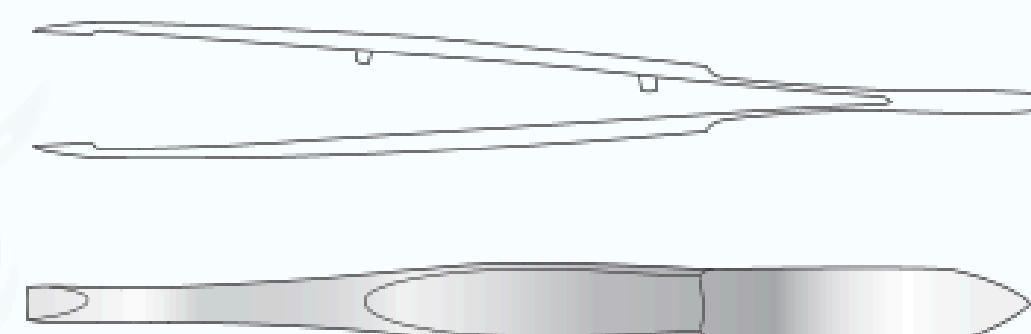
89mm long



SC-OP/07	Oblique jaw
----------	-------------

Epilation Forceps

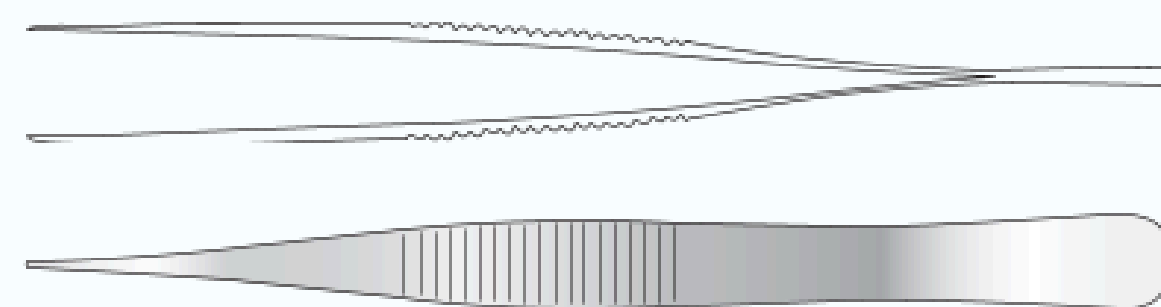
89mm long



SC-OP/08	Straight ends, 3mm wide
SC-OP/08a	Round ends, 3mm wide

Suture/Dissecting Forceps

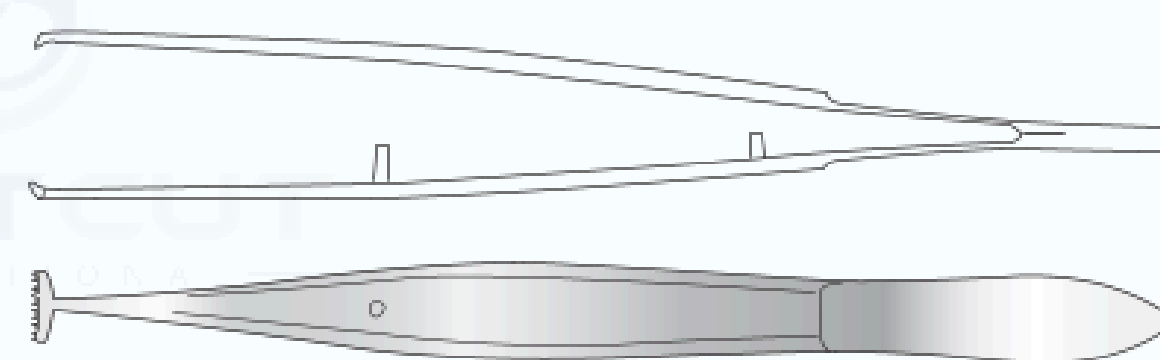
102mm long



SC-OP/09	Extra fine
----------	------------

Barraquer Fixation Forceps

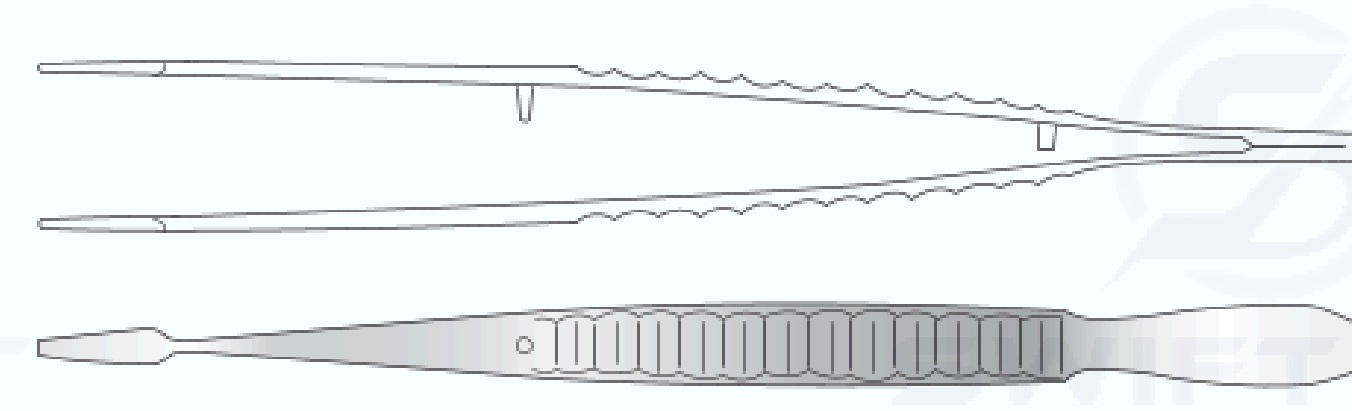
102mm long



SC-OP/09a	9-10 teeth
-----------	------------

Jameson Evans Cilia Forceps

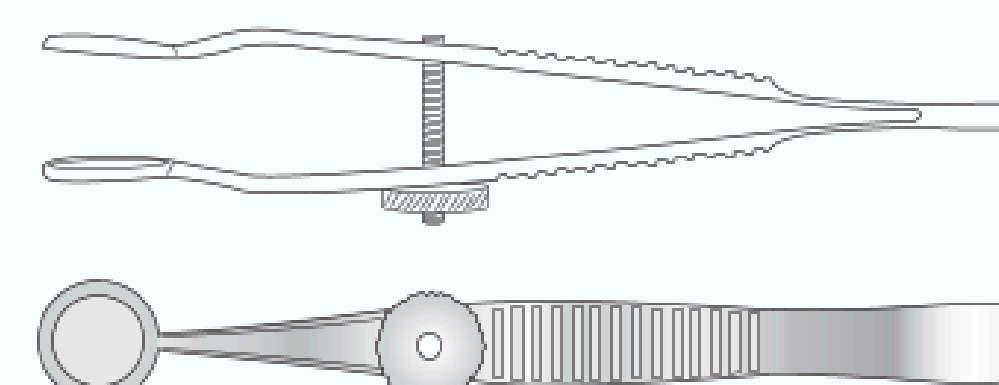
120mm long



SC-OP/012	
-----------	--

Tarsal Cyst Forceps

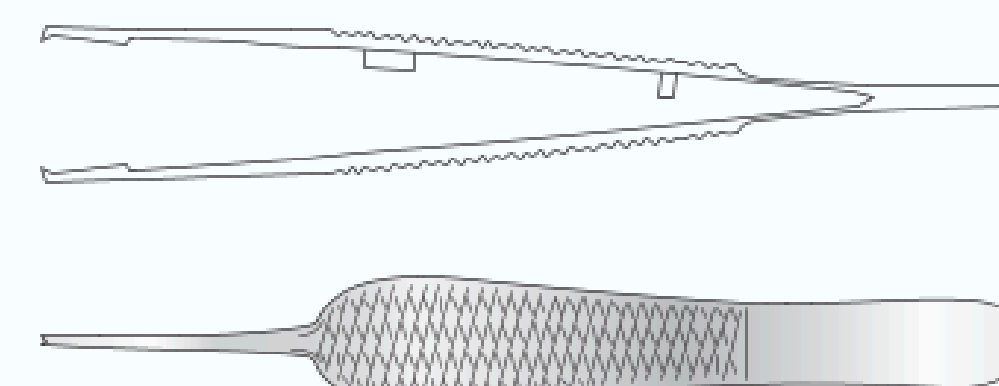
89mm long



SC-OP/015	Round ends
-----------	------------

St Martin Corneal Suturing Forceps

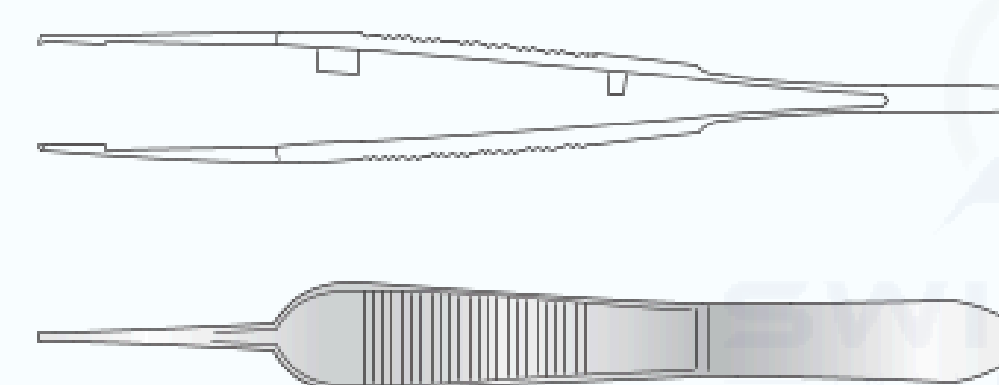
1-2 teeth, 89mm long



SC-OP/022	For fine work
-----------	---------------

St Martin Micro Corneal Suturing Forceps

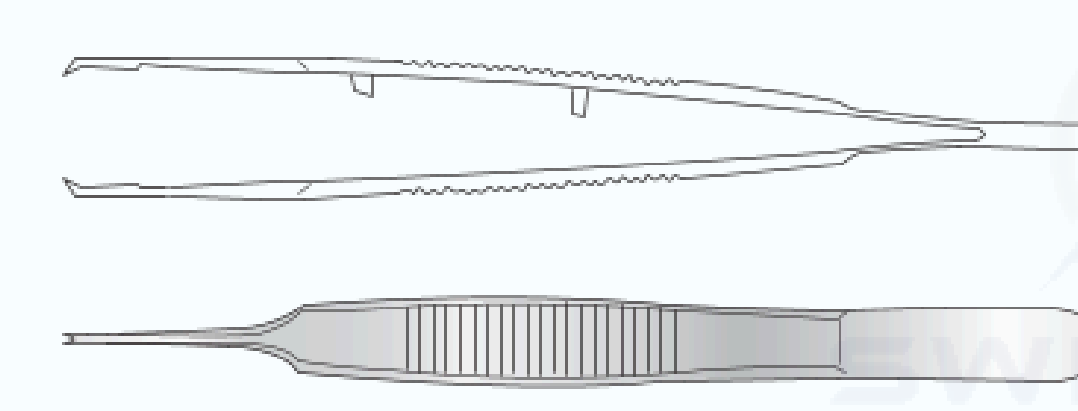
1-2 teeth, 89mm long



SC-OP/022a	Fine pattern
------------	--------------

Castroviejo Corneal Suture Forceps

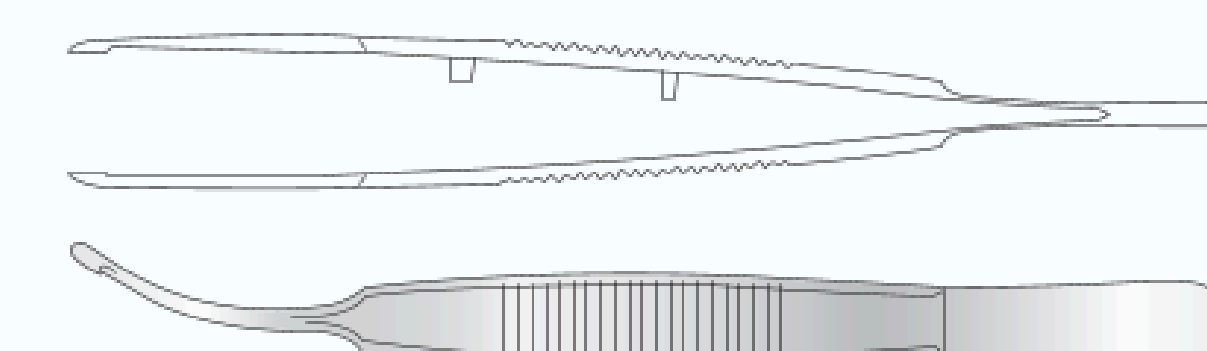
94mm long



SC-OP/013	1-2 teeth
-----------	-----------

Arruga Intra Capsule Forceps

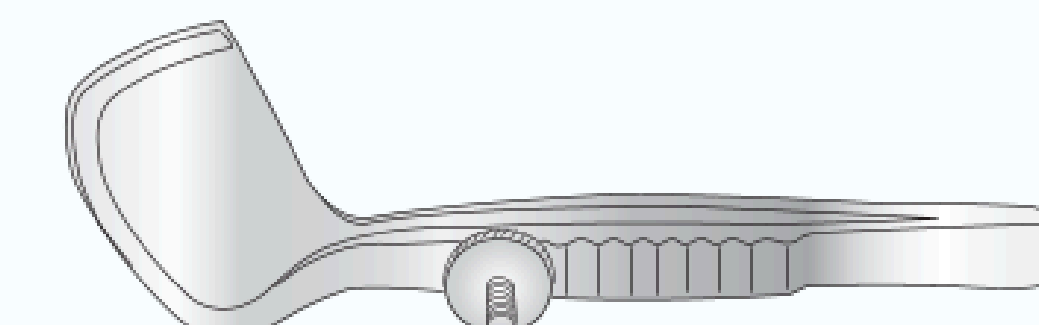
For removal of residual lens material during extra-capsula extraction, 120mm long



SC-OP/014	Right eye
SC-OP/014a	Left eye

Desmarre Entropian Forceps

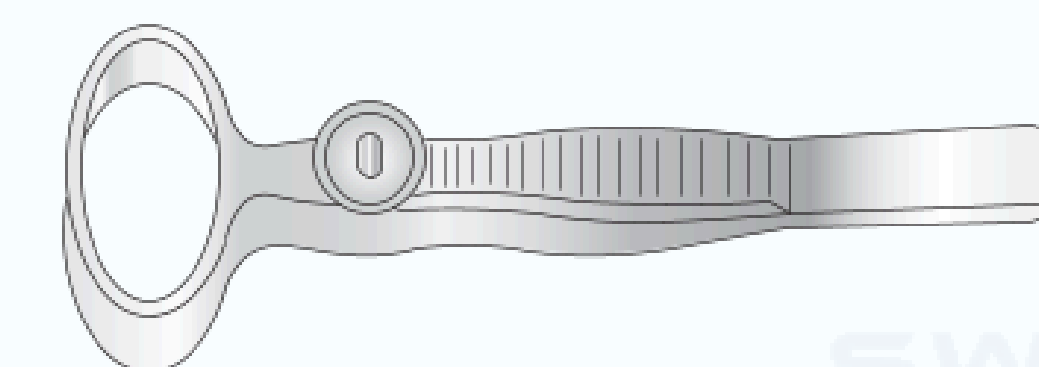
89mm long



SC-OP/014	Right eye
SC-OP/014a	Left eye

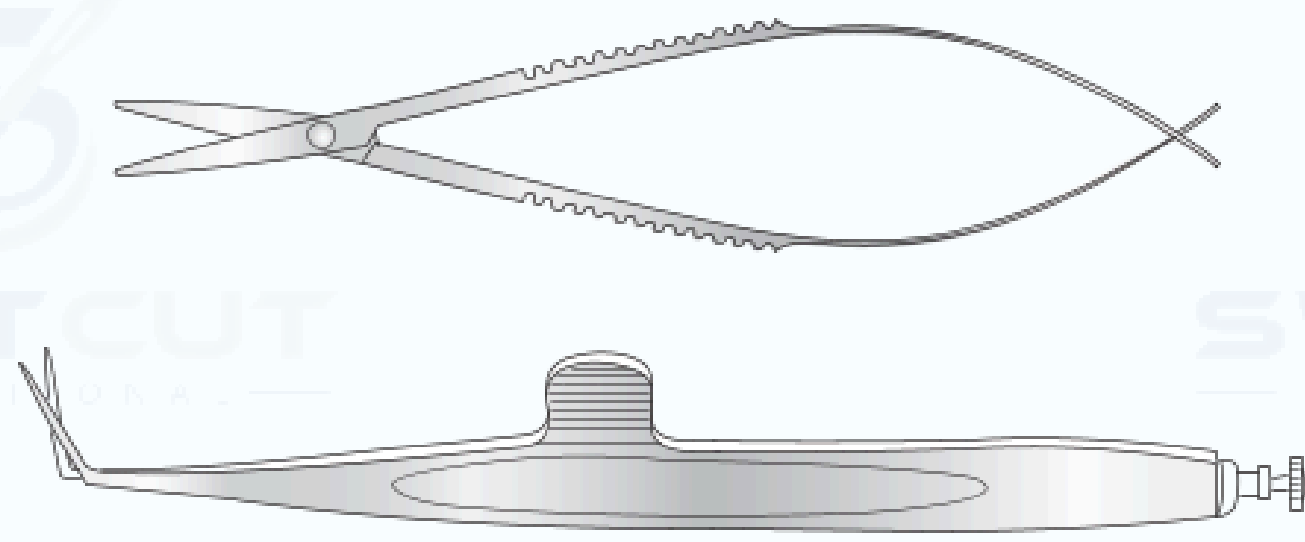
Wilde Entropian Forceps

3sizes, 89mm long



SC-OP/015a	With screw action
------------	-------------------

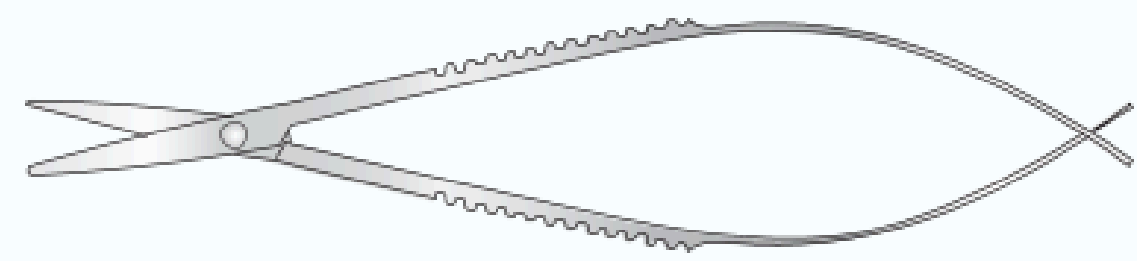
de Wecker Iris Scissors



SC-OP/031 114mm long

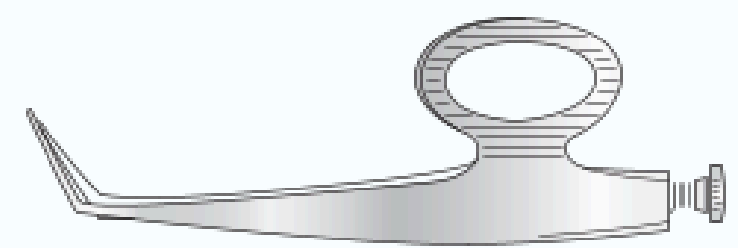
Castroviejo Scissors

102mm long



SC-OP/025 Curved

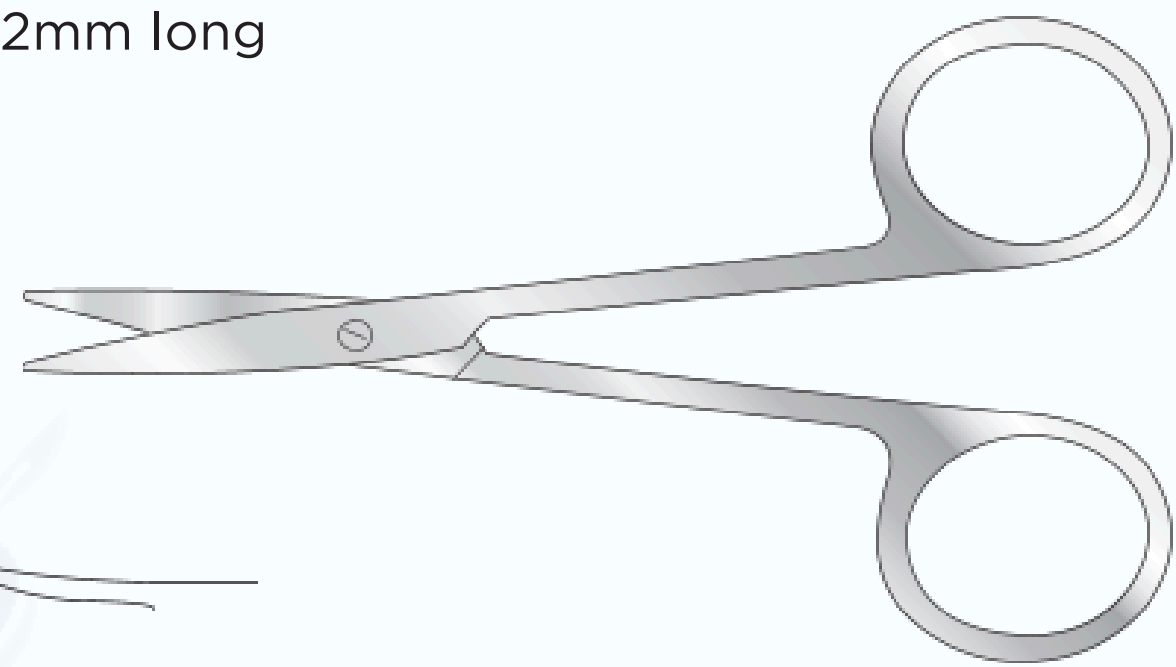
Barraquer Iris Scissors



SC-OP/031a 62mm long

Iris Scissors

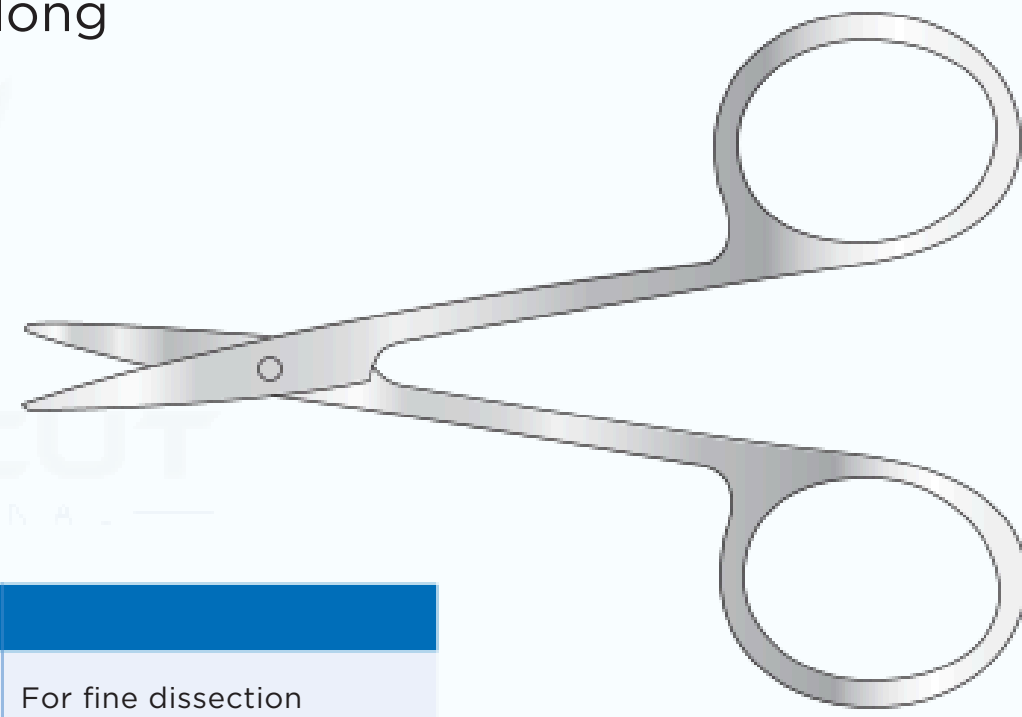
102mm long



SC-OP/032 Straight
SC-OP/033 Curved

Pooley Conjunctival Scissors

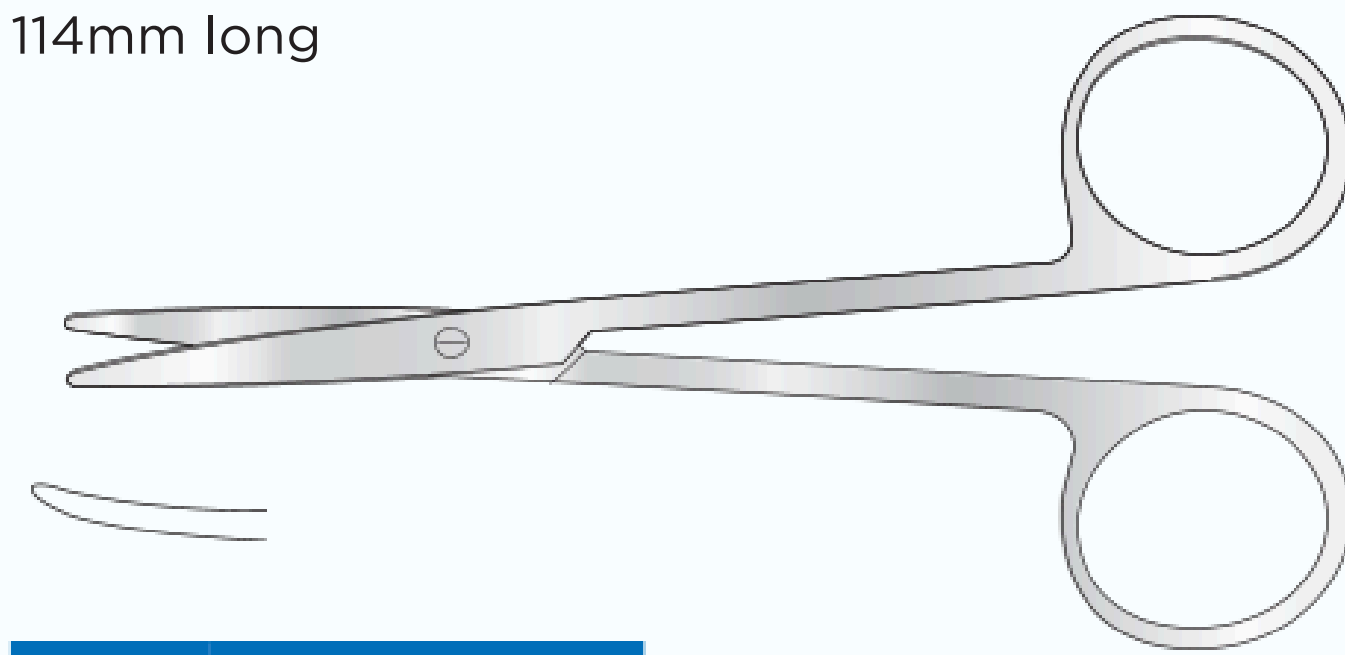
89mm long



SC-OP/017 For fine dissection

Thomas Strabismus Scissors

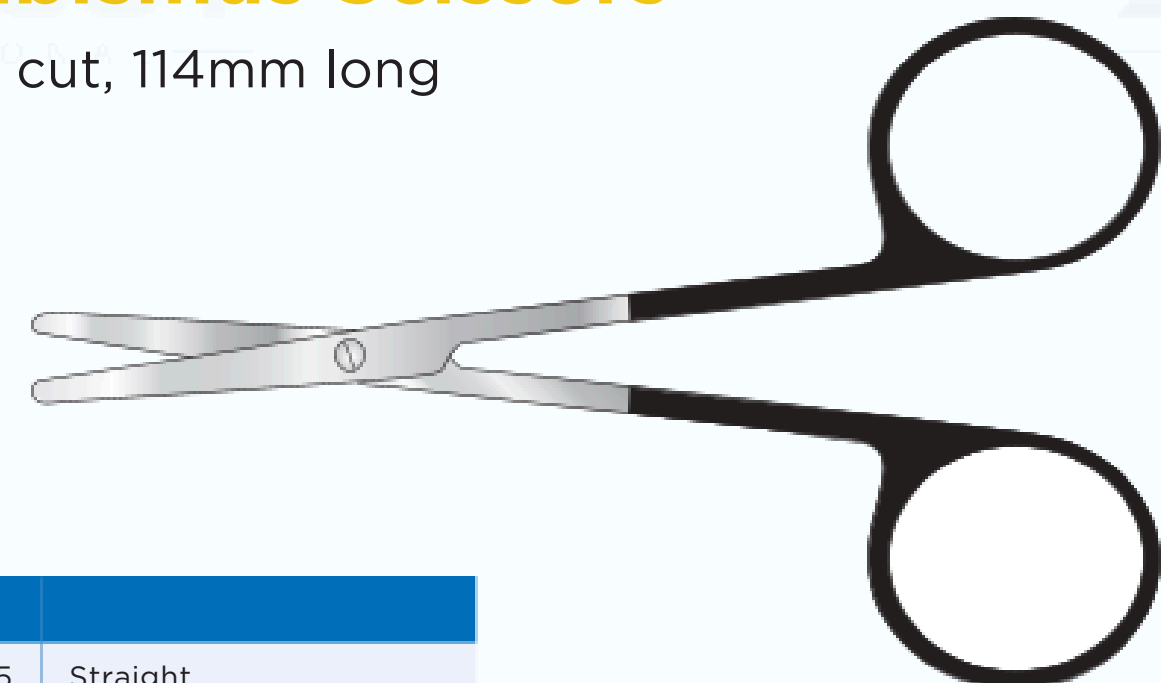
114mm long



SC-OP/029 Straight
SC-OP/030 Curved

Strabismus Scissors

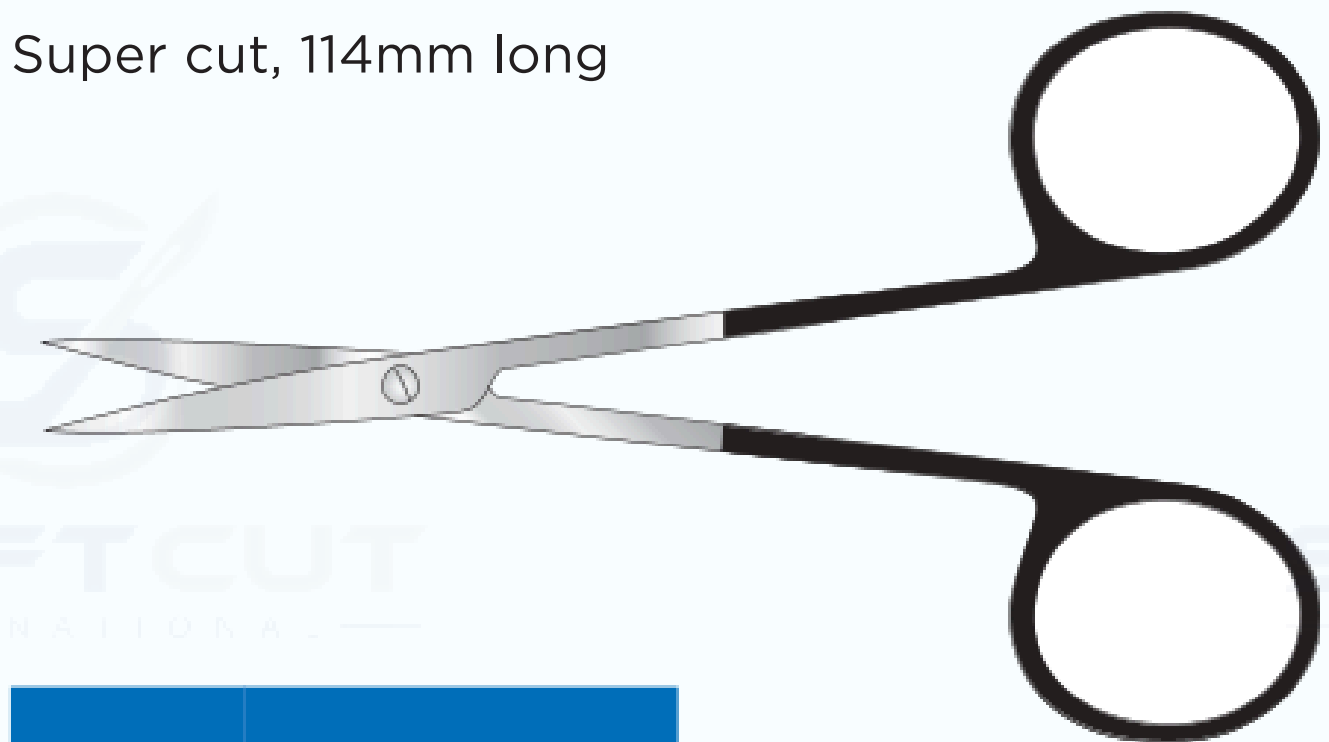
Super cut, 114mm long



SC-GI/475 Straight
SC-GI/475a Curved

Iris Scissors

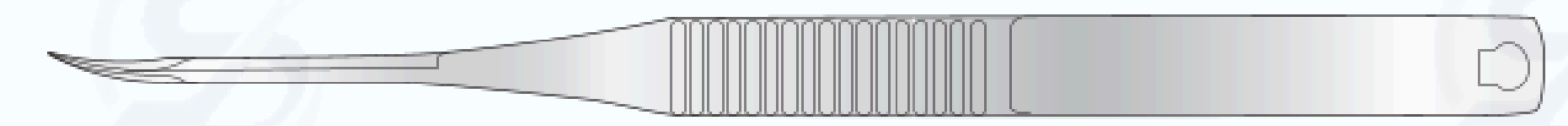
Super cut, 114mm long



SC-O P/O 476 Straight
SC-O P/O 476 a Curved

Westcott Scissors

120mm long



SC-OP/251 Curved, blunt
SC-OP/249 Curved, sharp
SC-OP/250 Straight, blunt
SC-OP/248 Straight, sharp

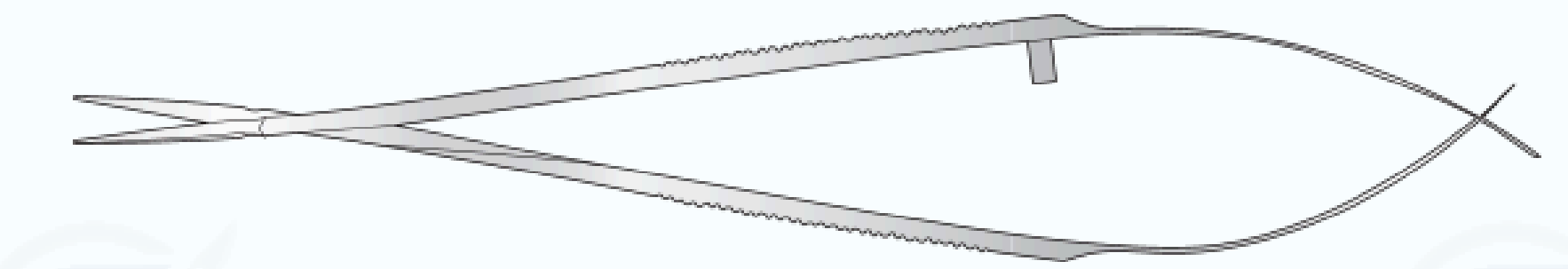
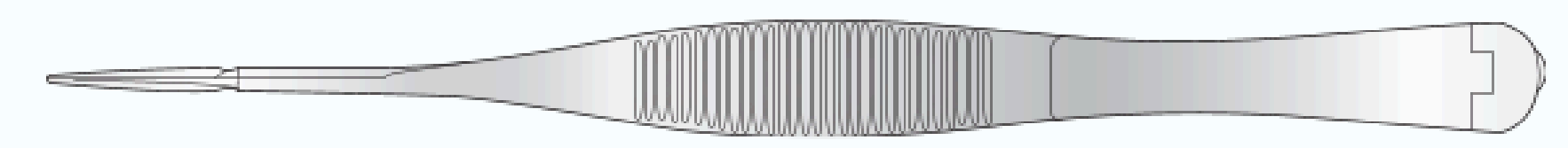
Vannas Scissors

Scissors

SC-OP/241 Blunt, curved 45°, 110mm
SC-OP/245 Curved 85mm
SC-OP/244 Straight 85mm
SC-OP/246 Strongly curved 85mm

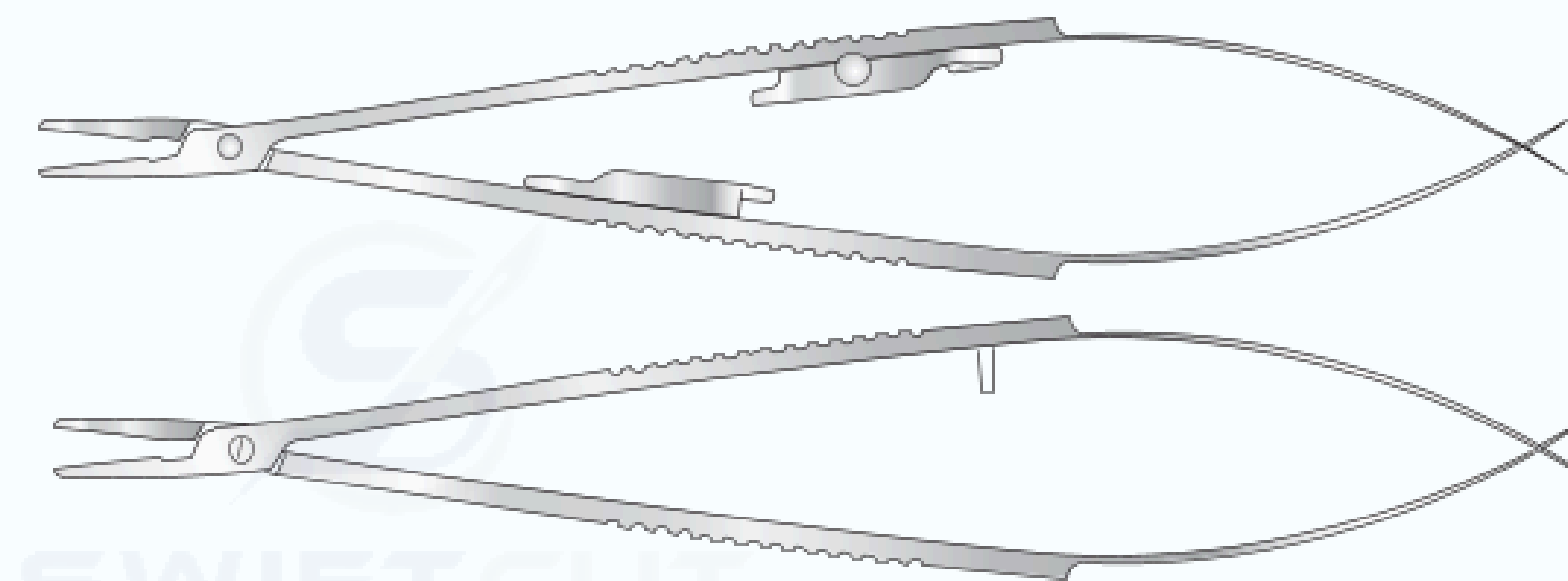
Micro Scissors

SC-OP/278 Delicate, straight, 85mm
SC-OP/280 Delicate, curved, 85mm
SC-OP/279 Delicate, strongly curved in plane, 85mm



Castroviejo Needle Holder

SC-OP/021	140mm long, with catch
SC-OP/020	140mm long, without catch



Diamond dust jaws

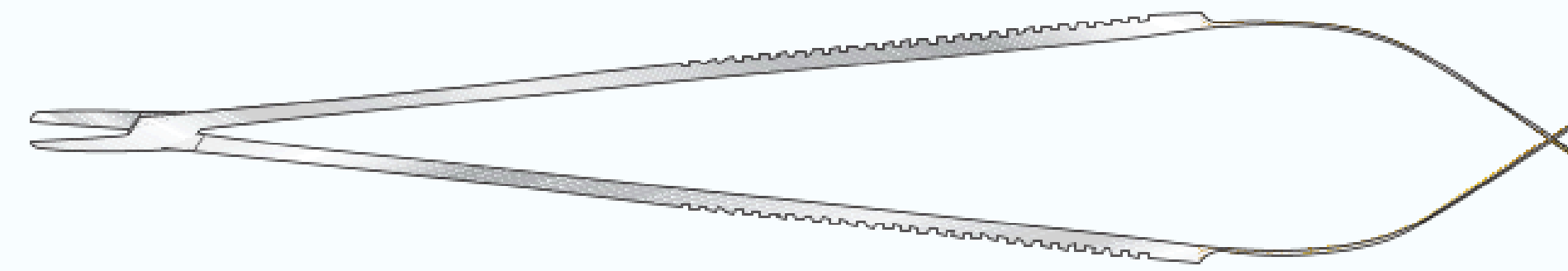
SC-THO/060	180mm long, without catch
SC-THO/061	200mm long, without catch
SC-THO/062	215mm long, without catch



ALSO AVAILABLE WITH CATCH - ADD SUFFIX CTH TO

Tungsten carbide jaws

SC-THO/058a	180mm long
SC-THO/058	200mm long
SC-THO/059	215mm long

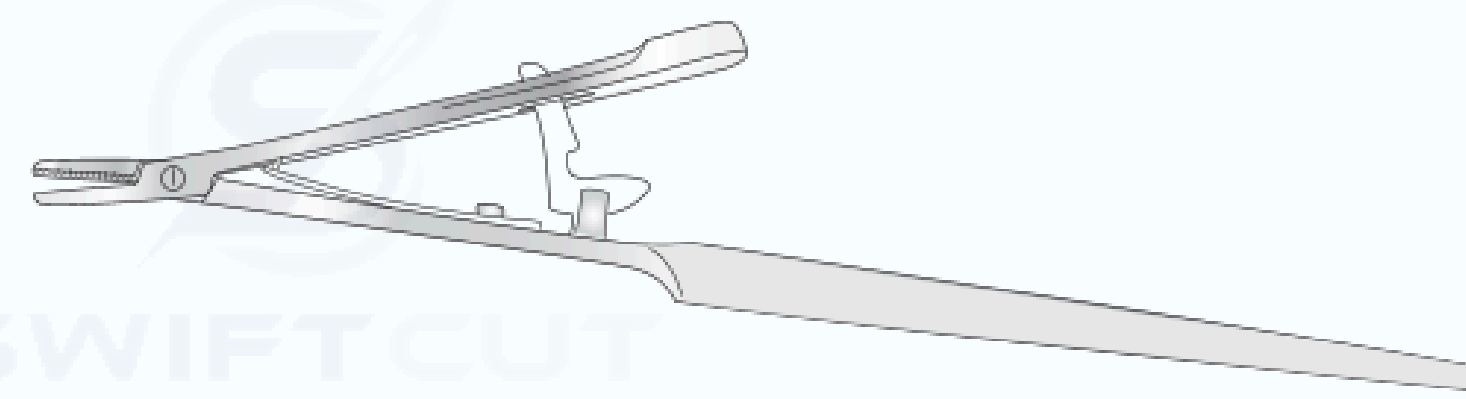


ALSO AVAILABLE WITH CATCH - ADD SUFFIX CTH TO

Silcock Needle Holder

140mm long

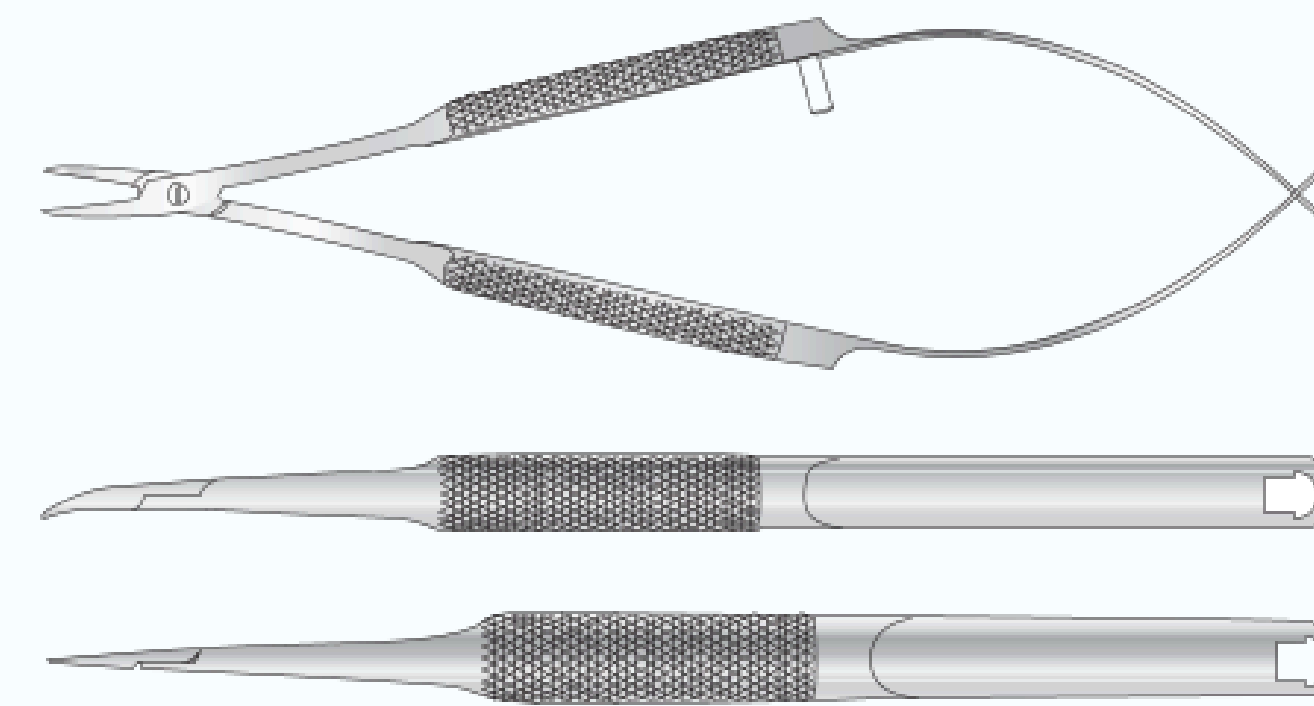
SC-OP/21a	With catch
SC-OP/20	Without catch



Micro Needle Holder

Round knurled handle, 120mm long

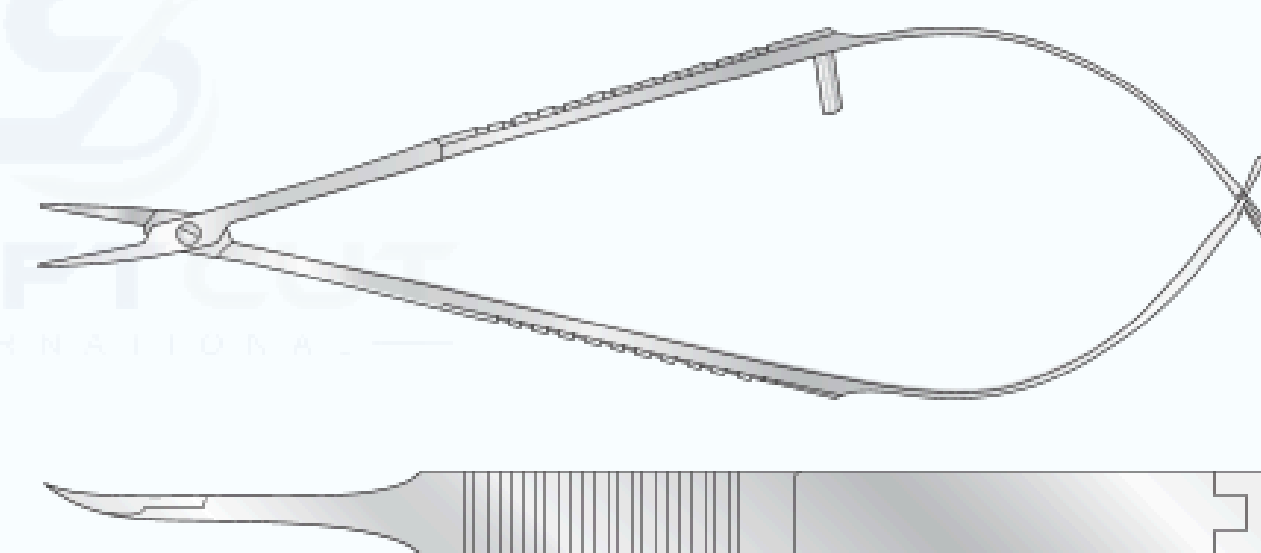
SC-OP/YA4020	Curved, without catch
SC-OP/YA4050	Curved, with catch
SC-OP/WA2010	Straight, without catch



Micro Needle Holder

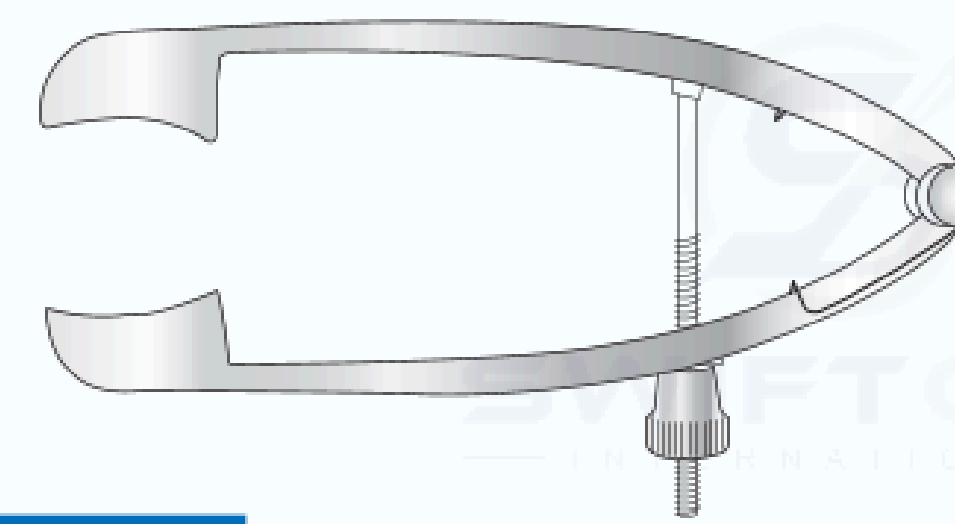
Curved, without catch

SC-OP/YA4010	110mm long
--------------	------------



Lang Eyelid Retractor

76mm long



SC-OP/011b	Left eye
SC-OP/011c	Right eye

Desmarre Eyelid Retractor

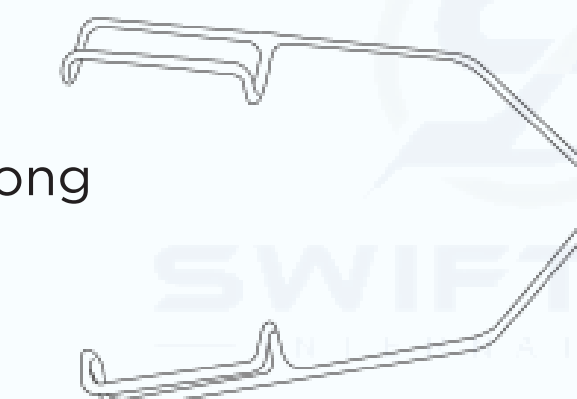
Single, 140mm long



SC-OP/013	12.7mm wide blade
SC-OP/014	15.9mm wide blade
SC-OP/015	19mm wide blade

Barraquer Eye Speculum

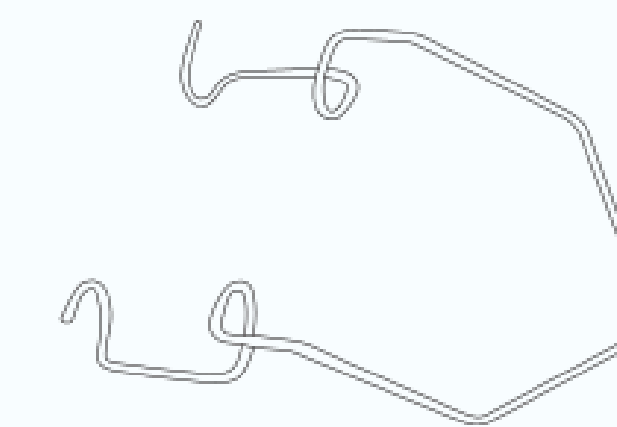
Stainlesssteelwire,44mm long



SC-OP/006	Standard
SC-OP/007	Small

Speculum

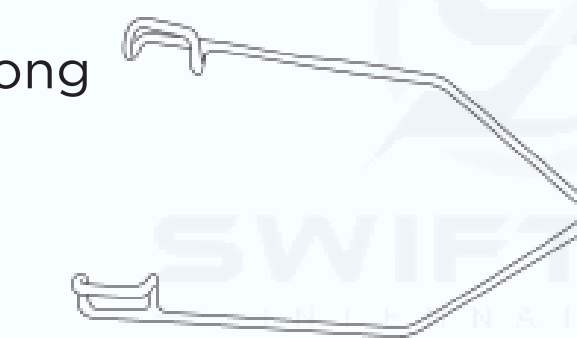
Wire, 30mm wide x 45mm long



SC-OP/8004012	Titanium
SC-OP/8004012ss	Stainless

Speculum

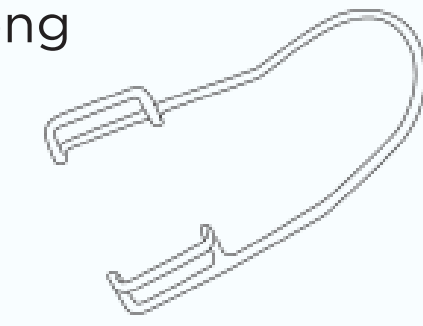
Wire,25mmwidex 40mm long



SC-OP/8004013	Titanium
SC-OP/8004013ss	Stainless

Speculum

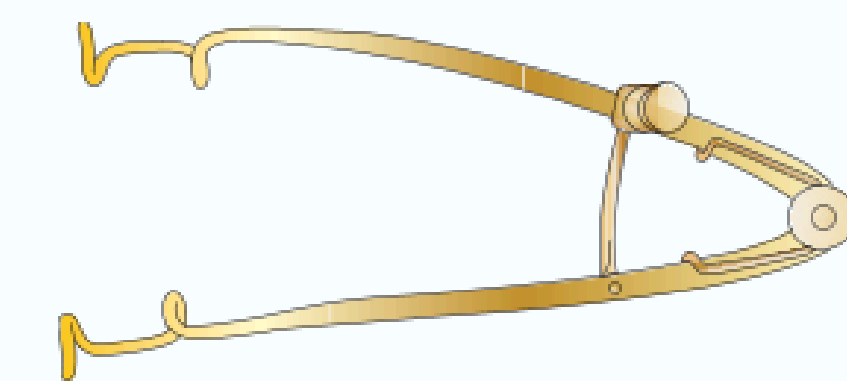
Wire,20mmwidex 30mm long



SC-OP/8004013a	Titanium
SC-OP/8004013a-ss	Stainless

Clark Speculum

Wire, 35mm wide x 84mm long



SC-SH/5746L	Infant - left
SC-SH/5746R	Infant - right

Lang Lachrymal Cannula

38mm long



SC-OP/026	Cannula = 1mm ø
-----------	-----------------

Cannula

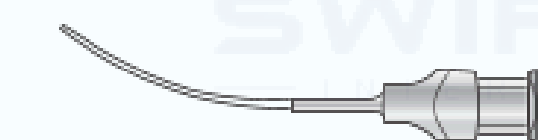
Curved,44mm long



SC-OP/026	Flat ended
-----------	------------

Harrison Butler Lachrymal Cannula

38mm long



SC-OP/027	Cannula = 0.6mm ø
-----------	-------------------