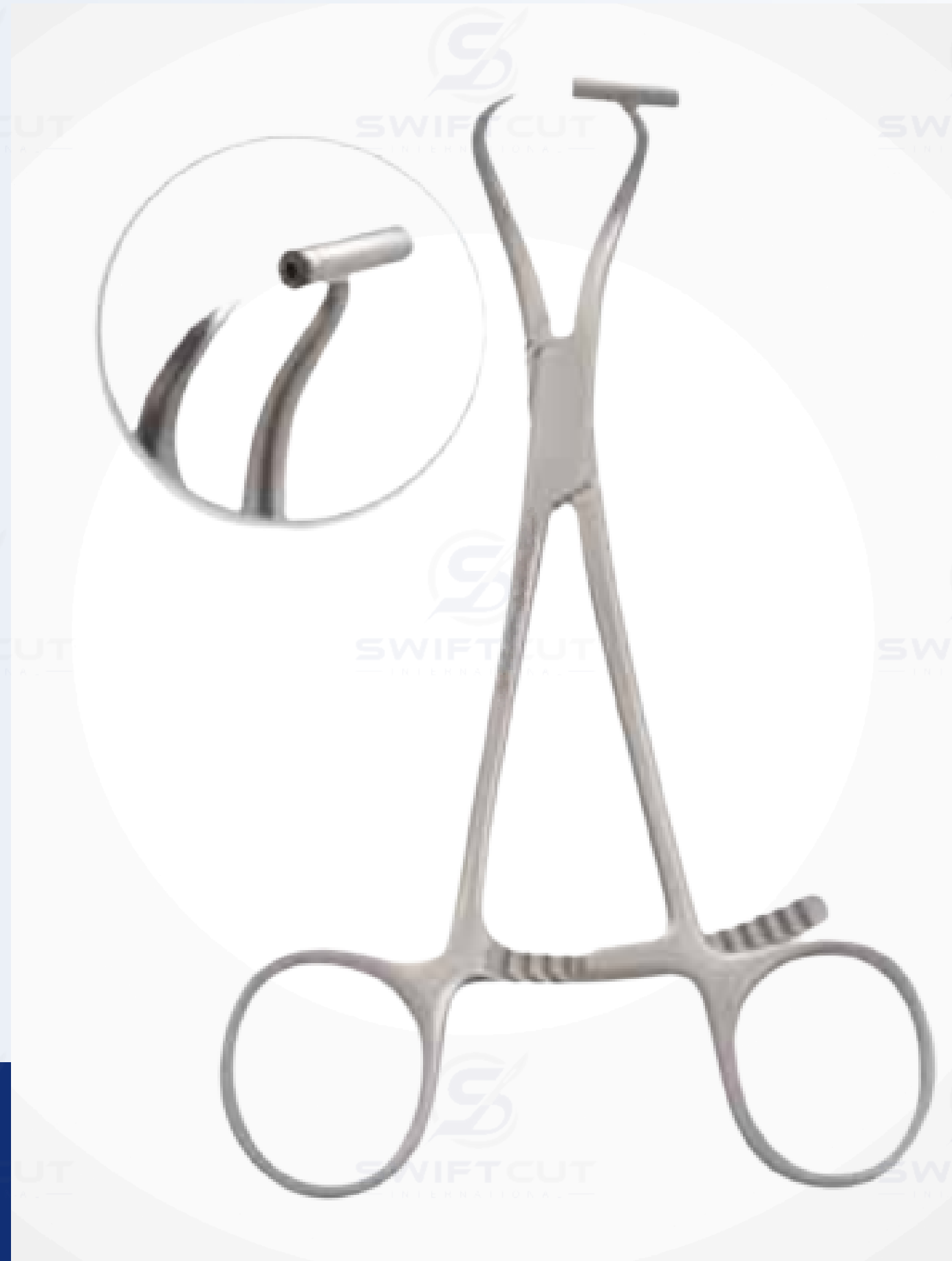


BONE HOLDING INSTRUMENTS

Bone holding instruments are essential for maintaining stable positioning of bone fragments during orthopedic procedures. Our range includes forceps, clamps, and graspers designed for a secure, non-slip hold without causing damage to bone surfaces. Precision-engineered from surgical-grade materials, these instruments ensure firm control, ease of handling, and reliability throughout the surgical process.



BONE HOLDING FORCEPS

LEWIN BONE HOLDING FORCEPS



CODE #	DESCRIPTION
SC47130	Serrated, 7" (18 cm)

BONE HOLDING FORCEPS

For positioning K-Wire up to 0.035" (0.9 mm).



CODE #	DESCRIPTION
SC45302	Curved, with 0.035" (0.9 mm) K-Wire guide, 6-3/4" (17 cm)

GLENOID PERFORATING FORCEPS

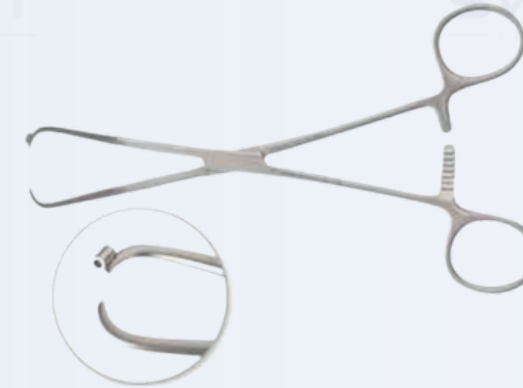
Pointed tips, 6-1/2" (17 cm).



CODE #	DESCRIPTION
SC46911	Slightly curved
SC46912	Strongly curved

BONE HOLDING FORCEPS

For positioning K-Wire up to 0.062" (1.6 mm).



CODE #	DESCRIPTION
SC45304	Curved, with 0.062" (1.6 mm) K-wire guide, 5-1/2" (14 cm)

BONE HOLDING FORCEPS

Curved, with K-Wire guide, 5" (13 cm).



CODE #	DESCRIPTION
SC45305	0.035" (0.9 mm)
SC45306	0.045" (1.1 mm)
SC45307	0.062" (1.6 mm)

BONE HOLDING FORCEPS

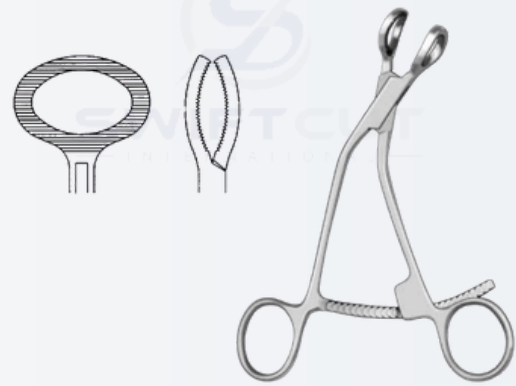
Angled, with fenestration.



CODE #	DESCRIPTION
SC47129	Inside fenestration 22 x 14 mm, outside fenestration 30 x 20 mm, ratchet length 3" (76 mm), overall length 6" (15 cm)

LOCKE PHALANGEAL FORCEPS

Very useful for removing the sesamoid bone



CODE #	DESCRIPTION
SC69787	Serrated, 1 x 2 teeth, 6" (15 cm)

PLATE AND BONE HOLDING FORCEPS

For positioning mini bone plates.



CODE #	DESCRIPTION
SC47139	1 pointed tip, 5-1/4" (14 cm)

MALLEOLAR BONE HOLDING FORCEPS

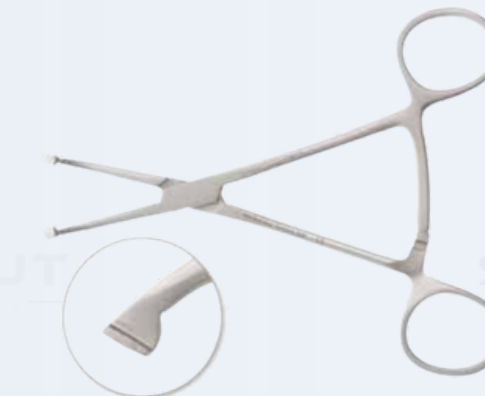
Grasping forceps for small bones



CODE #	DESCRIPTION
SC47010	1 x 1 sharp points, 8-1/4" (21 cm)

PLATE AND BONE HOLDING FORCEPS

For positioning small bone plates.



CODE #	DESCRIPTION
SC47138	5-3/8" (14 cm)

PARHAM-MARTIN BONE CLAMP

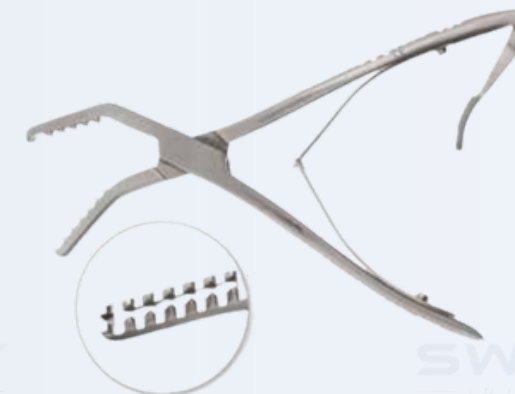
Fit thin end of band through slot in other end of band. Insert thin end into clamp. 8-1/4" (21 cm).



CODE #	DESCRIPTION
SC47172	Bands not included
SC47173	Single band only

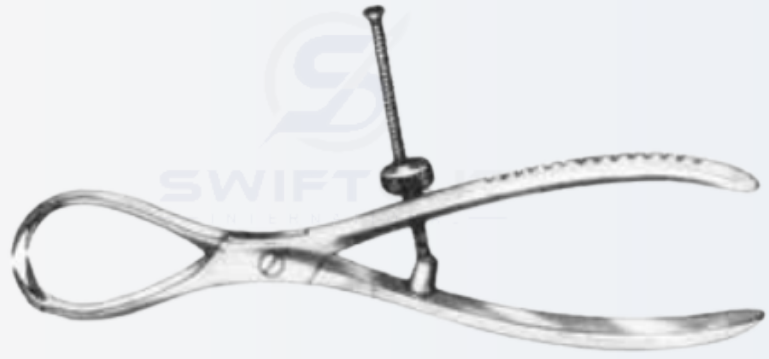
SEMB BONE HOLDING FORCEPS

Curved sideways. Deep teeth.



CODE #	DESCRIPTION
SC47074	4 x 5 teeth, without ratchet, 7-1/2" (19 cm)
SC47076	5 x 5 teeth, with ratchet, 8" (21 cm)

PATELLA BONE HOLDING FORCEPS



CODE #	DESCRIPTION
SC47012	2 x 2 sharp teeth, with speed lock, 7" (18 cm)

FARABEUFBONE HOLDING FORCEPS

Adjustable jaw



CODE #	DESCRIPTION
SC47194	9" (23 cm)
SC47196	10" (25.5 cm)

LANGENBECK BONE HOLDING FORCEPS



CODE #	DESCRIPTION
SC47200	2 x 2 sharp teeth, with speed lock, 7" (18 cm)

FARABEUFLAMBOTTE BONE HOLDING FORCEPS

Adjustable jaw



CODE #	DESCRIPTION
SC47190	7-1/2" (19 cm)
SC47192	10-1/2" (27 cm)

VAN BUREN SEQUESTRUM FORCEPS

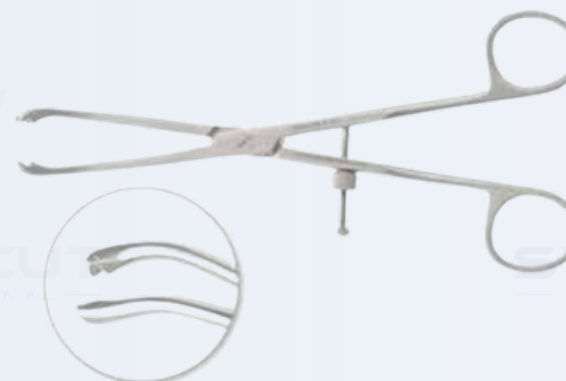
Curved sideways, serrated, 9" (23 cm)



CODE #	DESCRIPTION
SC47072	2 x 2 teeth, 8-1/4" (21 cm)

FIBULA BONE HOLDING FORCEPS

With angled tip and speed lock.



CODE #	DESCRIPTION
SC47170	8-1/2" (22 cm)

FIBULA BONE HOLDING FORCEPS

With angled tip and speed lock.



CODE #	DESCRIPTION
SC47170	8-1/2" (22 cm)

LAMBOTTE BONE HOLDING FORCEPS

With swivel head, adjustable jaw.



CODE #	DESCRIPTION
SC47204	8-1/2" (22 cm)
SC47206	10-1/2" (27 cm)
SC47208	11-1/2" (29 cm)

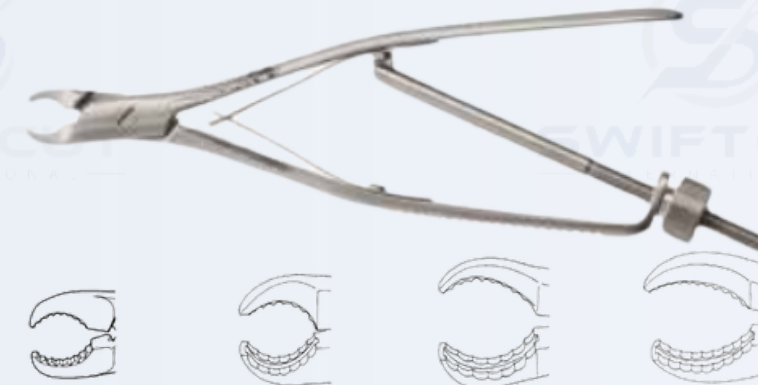
FERGUSON BONE HOLDING FORCEPS



CODE #	DESCRIPTION
SC47198	Deep teeth, 8-1/4" (21 cm)

ULRICH SELF-RETAINING BONE HOLDING FORCEPS

Straight, with speed lock.



CODE #	DESCRIPTION
SC47108	Mini, 7-1/4" (19 cm)
SC47110	8-1/2" (22 cm)
SC47112	9-7/8" (25 cm)
SC47114	10-1/4" (26 cm)

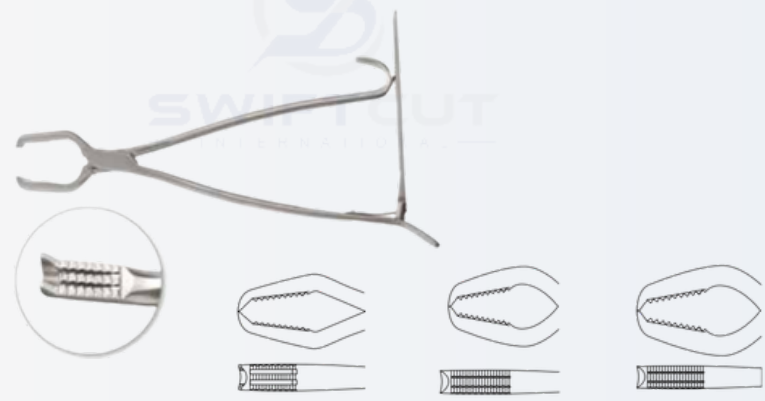
KERN BONE HOLDING FORCEPS



CODE #	DESCRIPTION
SC47054	Mini, 6-5/8" (17 cm), without ratchet
SC47056	9-1/2" (24 cm), without ratchet
SC47062	6-3/4" (17 cm), with ratchet
SC47064	9-1/2" (24 cm), with ratchet

LANE BONE HOLDING FORCEPS

Particularly well suited for use during insertion of intermedullary nails.



CODE #	DESCRIPTION
SC47078	Light model, without ratchet, 13" (33 cm)
SC47080	Light model, with ratchet, 13" (33 cm)
SC47068	Standard model, without ratchet, 13" (33 cm)
SC47082	Standard model, with ratchet, 13" (33 cm)
SC47070	Without ratchet, 17" (43 cm)
SC47084	With ratchet, 17" (43 cm)

VEBRUGGE SELF-CENTERING BONE HOLDING FORCEPS

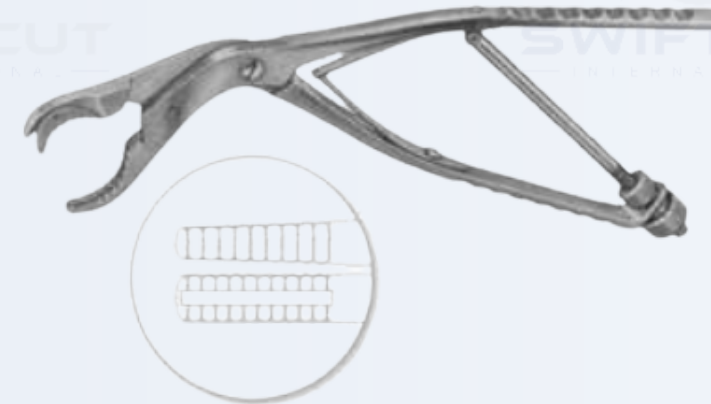
Self centering, with speed lock



CODE #	DESCRIPTION
SC47090	5-3/4" (15 cm)
SC47092	7-1/4" (19 cm)
SC47094	9-1/4" (24 cm)
SC47096	10" (26 cm)
SC47098	11-1/4" (29 cm)

ULRICH SELF-RETAINING BONE HOLDING FORCEPS

Angled, with speed lock and swivel jaw



CODE #	DESCRIPTION
SC47118	11" (28 cm)

ULRICH SELF-RETAINING BONE HOLDING FORCEPS

Angled, with speed lock.



CODE #	DESCRIPTION
SC47109	7-1/4" (19 cm)
SC47116	11" (28 cm)

ANGLED BONE HOLDING FORCEPS

With swivel head, adjustable jaw.



CODE #	DESCRIPTION
SC47212	8-1/2" (22 cm)

VERBRUGGE BONE HOLDING FORCEPS

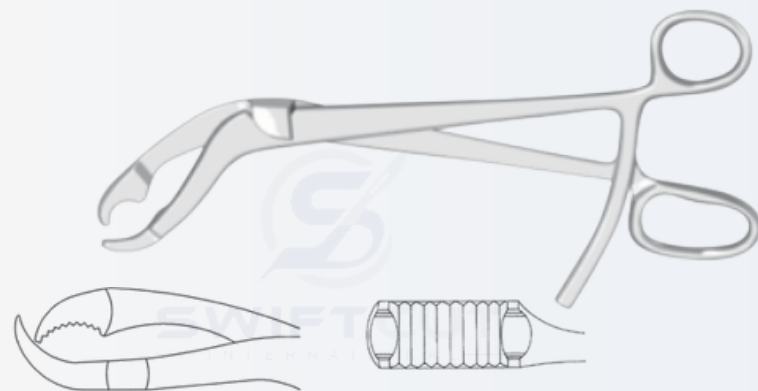
With short ratchet



CODE #	DESCRIPTION
SC47120	6-7/8" (18 cm)

VERBRUGGE BONE HOLDING FORCEPS

With long ratchet.



CODE #	DESCRIPTION
SC47122	10" (26 cm)
SC47124	10-1/2" (27 cm)
SC47126	11" (28 cm)

BONE REDUCTION FORCEPS

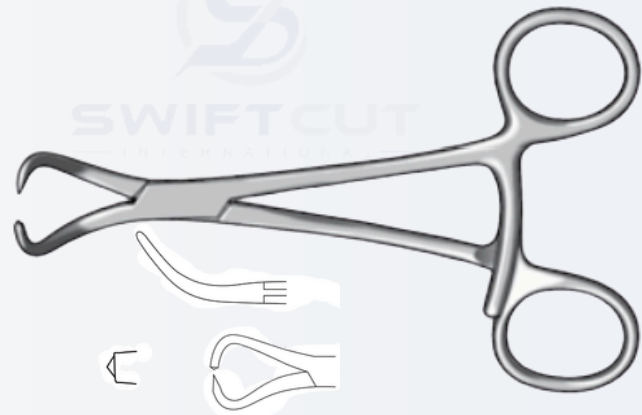
STAGBEETLE BONE REDUCTION FORCEPS



CODE #	DESCRIPTION
SC47119	Curved, pointed tips, 4-7/8" (13 cm)

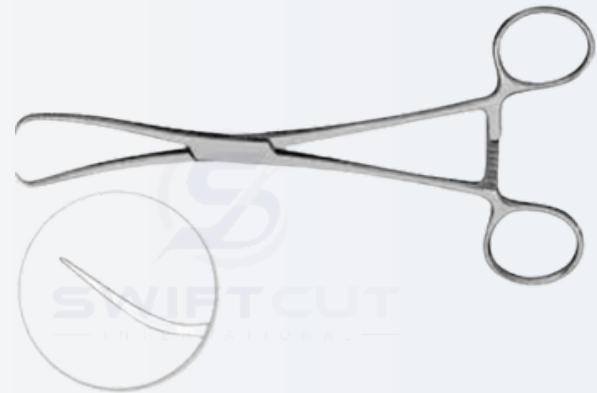
BONE REDUCTION FORCEPS

Curved. One tip has a stepped point for a better hold on bone.



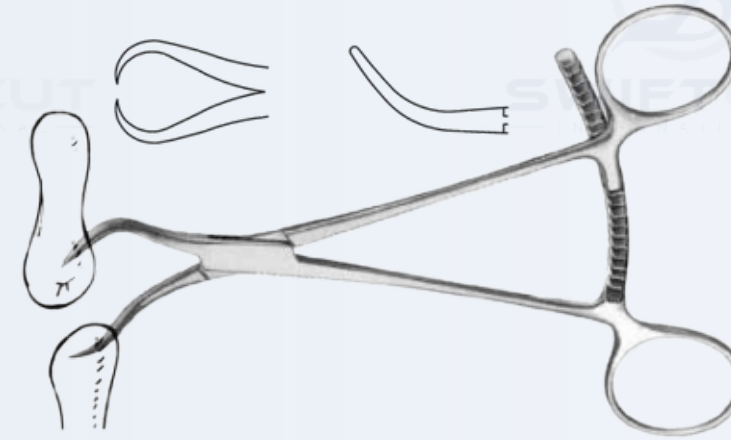
CODE #	DESCRIPTION
SC47137	5-1/4" (14 cm)
SC47136	6-3/4" (17 cm)

REILL BONE REDUCTION FORCEPS



CODE #	DESCRIPTION
SC47132	Curved, pointed tips, 6-3/4" (17 cm)

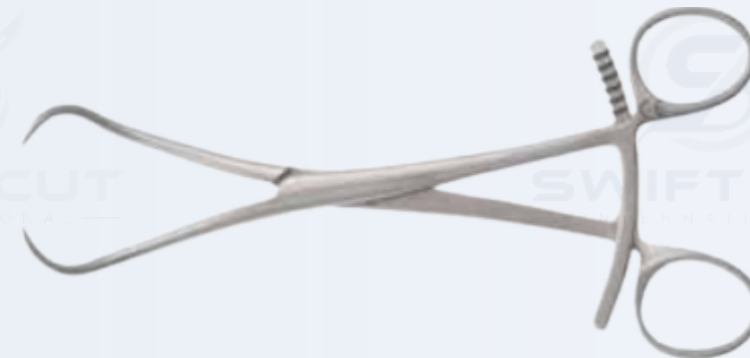
BONE REDUCTION FORCEPS



CODE #	DESCRIPTION
SC45300	Curved, pointed tips, 5" (13 cm)

BONE REDUCTION FORCEPS

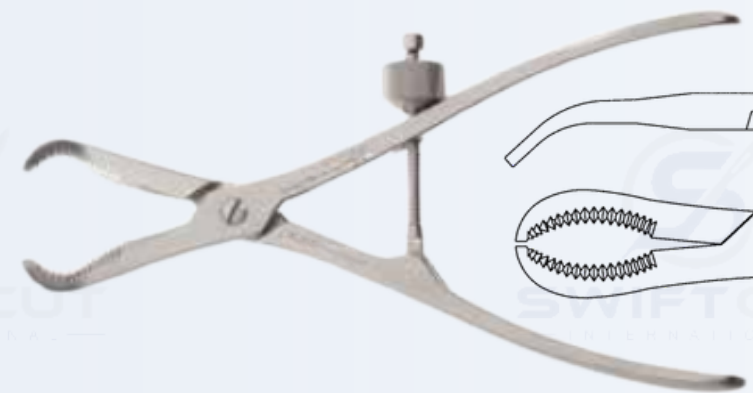
With ratchet completely engaged, the jaw opening is 9 mm wide.



CODE #	DESCRIPTION
SC47134	Ratchet length: 2" (5 cm) Opens to 4" (10 cm) 8" (21 cm)

BONE REDUCTION FORCEPS

Curved, with speed lock



CODE #	DESCRIPTION
SC47105	7" (18 cm)
SC47135	9-5/8" (25 cm)

BONE REDUCTION FORCEPS

Curved and serrated with pointed tips.



CODE #	DESCRIPTION
SC47133	Narrow, 5-1/4" (14 cm)
SC47135	Broad, 5-1/2" (14 cm)

ASYMETRIC PELVIC REDUCTION FORCEPS



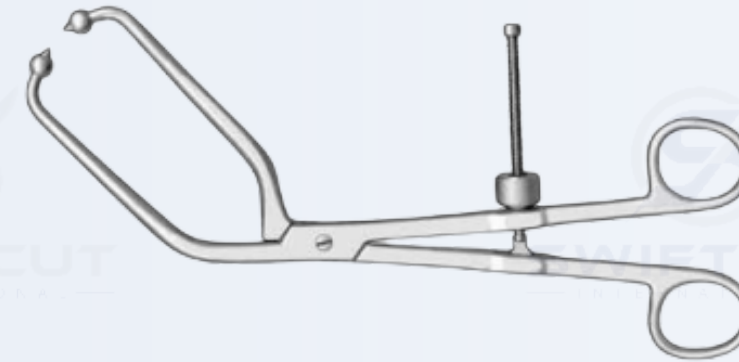
CODE #	DESCRIPTION
SC45310	Short pointed-ball tips, 16" (41 cm)

BONE REDUCTION FORCEPS



ANGLED PELVIC BONE REDUCTION FORCEPS

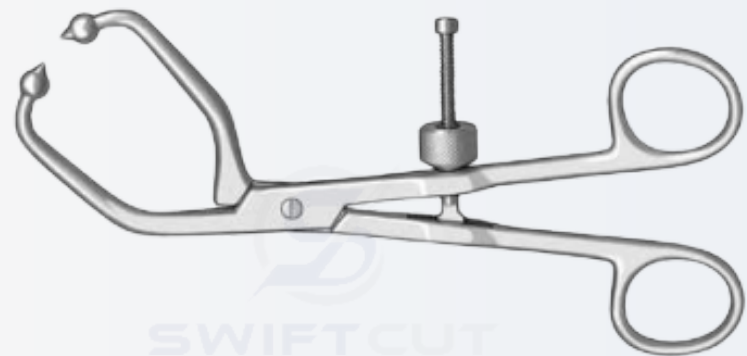
Long tips



CODE #	DESCRIPTION
SC45314	Long pointed-ball tips, 9-5/8" (25 cm)

ANGLED PELVIC BONE REDUCTION FORCEPS

Short tips



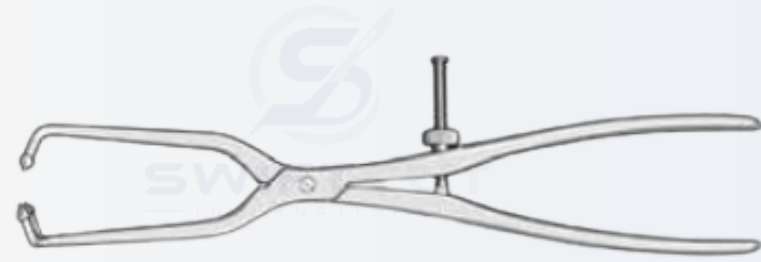
CODE #	DESCRIPTION
SC45312	Short pointed-ball tips, 7-3/8" (19 cm)

PELVIC REDUCTION FORCEPS



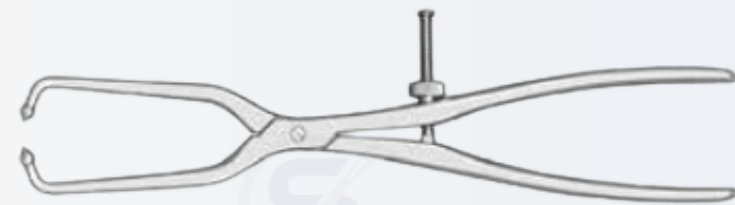
CODE #	DESCRIPTION
SC47100	With screws, 13-1/2" (35 cm)

PELVIC REDUCTION FORCEPS



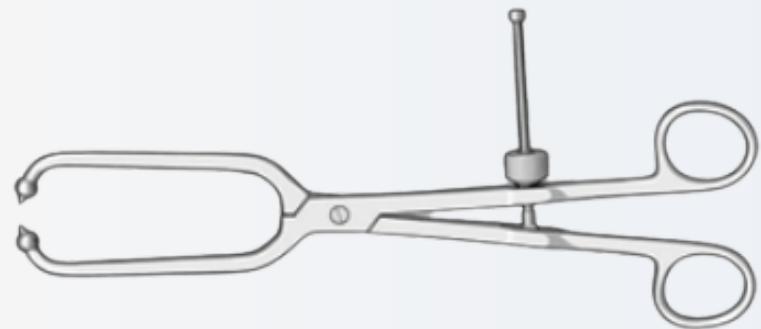
CODE #	DESCRIPTION
SC47101	1 x 2 jaws, long pointed-ball tips, 16-1/8" (41 cm)

PELVIC REDUCTION FORCEPS



CODE #	DESCRIPTION
SC47103	Pointed tips, long pointed-ball tips, 16-1/8" (41 cm)

PELVIC REDUCTION FORCEPS



CODE #	DESCRIPTION
SC47102	Angled tips, short pointed-ball tips, 10-1/8" (26 cm)

BONE CLAMPS

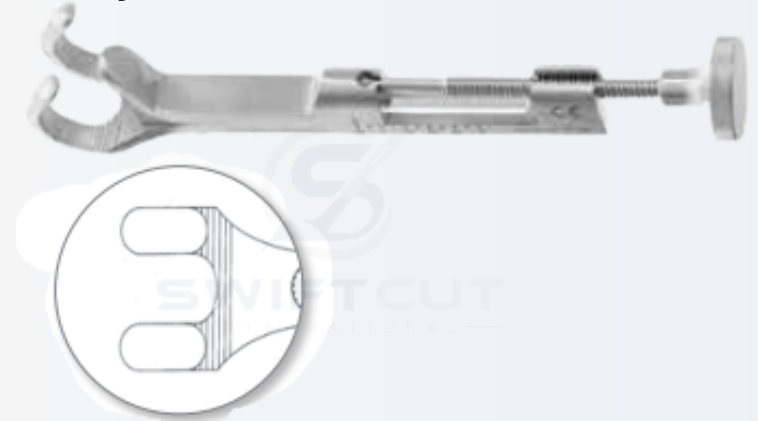
BISHOP BONE CLAMP



CODE #	DESCRIPTION
SC47202	Adjustable jaw, 8-7/8" (22.5 cm)

LOWMAN BONE CLAMPS

1 x 2 jaws. Calibrated in inches to measure bone diameter.



CODE #	DESCRIPTION
SC47140	4-3/4" (12 cm)
SC47154	5-5/8" (14.5 cm)
SC47156	6-3/4" (17 cm)

LAMBERT-LOWMAN BONE CLAMPS

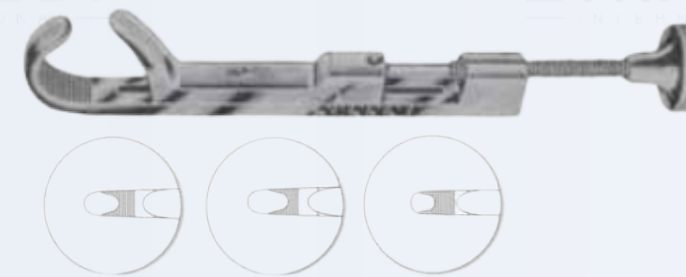
2 x 2 jaws. Calibrated in inches to measure bone diameter.



CODE #	DESCRIPTION
SC47167	7-1/4" (18.5 cm)
SC47168	8" (20.5 cm)

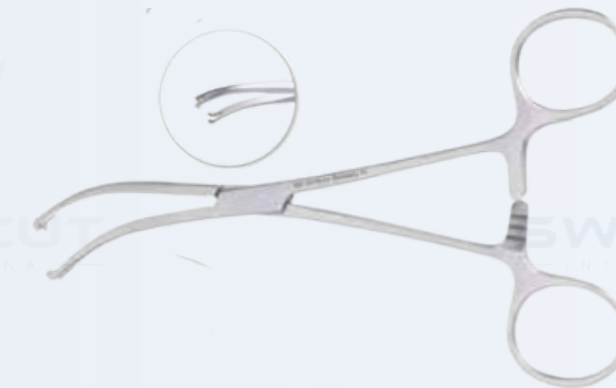
LOWMAN BONE CLAMPS

1 x 1 jaws. Calibrated in inches to measure bone diameter.



CODE #	DESCRIPTION
SC47160	4-3/4" (12 cm)
SC47164	5-3/4" (14.5 cm)
SC47166	6-7/8" (17.5 cm)

ROSENBLOOM SESAMOID CLAMP



CODE #	DESCRIPTION
SC69795	Slightly curved, 6-1/2" (16.5 cm)

VOGEN SESAMOID CLAMP

- Designed to grasp and hold a sesamoid while dissecting it free.
- The sesamoid is first exposed within the capsule, then the two-pronged tip is hooked beneath the sesamoid. The plunger is then seated in the bone to secure it for manipulation and dissection.



CODE #	DESCRIPTION
SC69827	4" (10 cm) shaft

BONE HOOKS

SHARP HOOK

To check fracture and remove ingrown tissue



CODE #	DESCRIPTION
SC47880	6" (15 cm)

VOLSCANN BONE HOOKS



CODE #	DESCRIPTION
SC48331	Sharp, 15 mm high x 20 mm deep, 9" (23 cm)
SC48335	Sharp, 15 mm high x 20 mm deep, 9-3/4" (25 cm)
SC48334	Sharp, 19 mm high x 27 mm deep, 8-5/8" (22 cm)
SC48333	Blunt, 15 mm high x 20 mm deep, 9" (23 cm)

BONE HOOKS

Sharp with grip handle, 9" (23 cm).



CODE #	DESCRIPTION
SC48342	Small, 6 mm high x 10 mm deep
SC48343	Medium, 11 mm high x 18 mm deep
SC48344	Large, 12 mm high x 21 mm deep

BONE HOOK

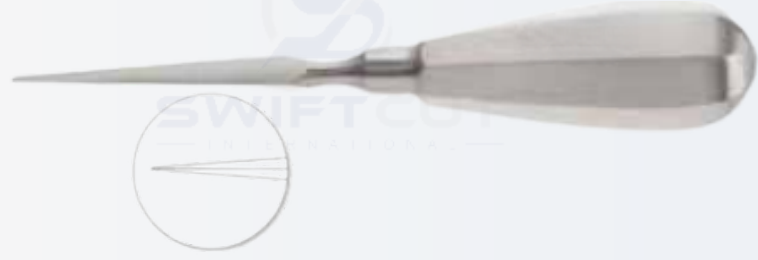
Large, for femurs. With T-handle



CODE #	DESCRIPTION
SC48332	18 mm high x 21 mm deep, 7-7/8" (20 cm)

SCLS

BONE SCL



CODE #	DESCRIPTION
SC48336	Square taper, 6-1/4" (16 cm)

SHOULDER PENETRATING SCL

Phenolic handle.



CODE #	DESCRIPTION
SC46916	9-1/4" (23.5 cm)

Autoclavable to 290°F (143°C)

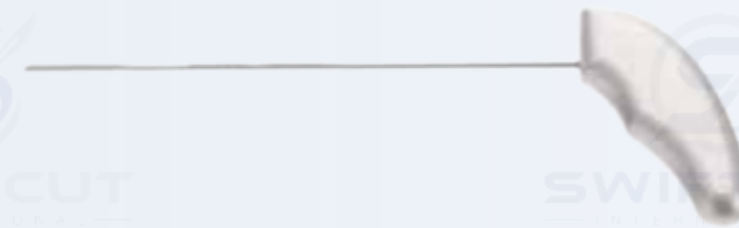
KUNTSCHER DIAMOND POINTED SCL



CODE #	DESCRIPTION
SC48303	With handle, 11-5/8" (29.5 cm)

RUSH SCL AND REAMERS

For penetrating cortex of bone. Used as grooved director for insertion of pins.



CODE #	DESCRIPTION
SC48338	0.1" (2.5 mm) diameter, working length 7-1/2" (19 cm), pointed, 9-7/8" (25 cm)
SC48339	0.1" (3 mm) diameter, working length 8-1/4" (21 cm), pointed, 10-5/8" (27 cm)
SC48340	0.2" (5 mm) diameter, working length 8-1/2" (21.5 cm), pointed, 10-7/8" (27.5 cm)
SC48341	0.25" (6 mm) diameter, working length 10-1/2" (26.5 cm), pointed, 12-3/4" (32.5 cm)

SHOULDER PERCUSION SCLS

8-1/2" (21.5 cm).



CODE #	DESCRIPTION
SC46913	Small
SC46914	Medium
SC46915	Large

PERTHES BONE SCL



CODE #	DESCRIPTION
SC48337	8-1/4" (21 cm)