

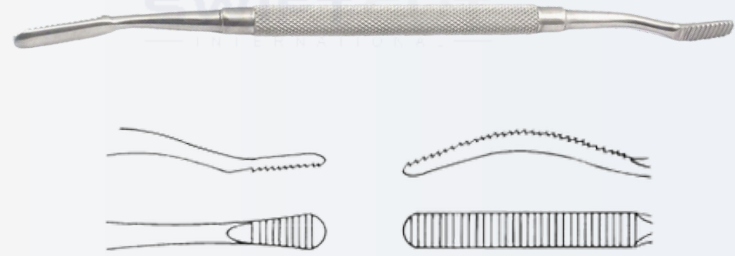
BONE FILES AND RASPS



Bone files and rasps are used for shaping, smoothing, and refining bone surfaces during orthopedic surgeries. Our instruments feature sharp, precision-cut teeth that provide efficient material removal while maintaining control and accuracy. Made from high-grade surgical steel, they offer durability, corrosion resistance, and a comfortable grip for consistent performance in demanding surgical environments.

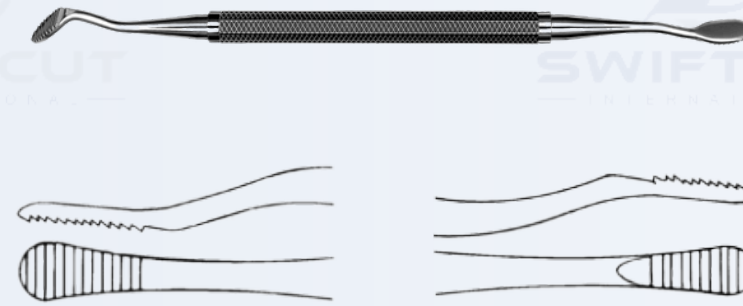
BONE FILES

BONE FILE #10



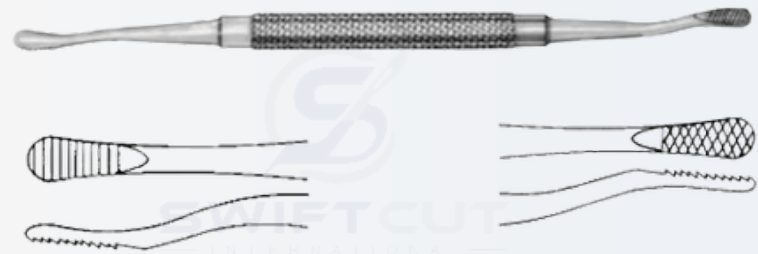
CODE #	DESCRIPTION
SC69542	Double-ended, plain serrations, 5 mm width, 7-1/8" (18 cm)

BONE FILE #12



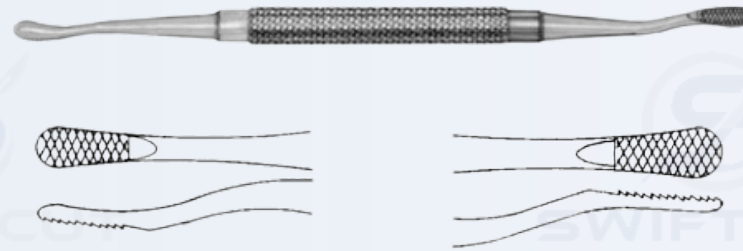
CODE #	DESCRIPTION
SC69543	Double-ended, plain serrations, 7 and 5 mm width, 7-1/8" (18 cm)

BONE FILE #12A



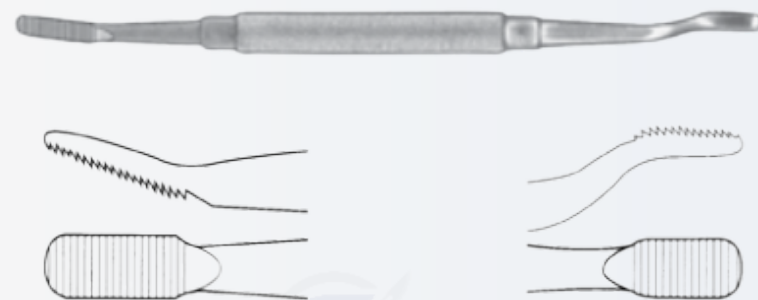
CODE #	DESCRIPTION
SC69544	Double-ended, plain and cross serrations, 5 mm width, 7-1/8" (18 cm)

BONE FILE #12CA



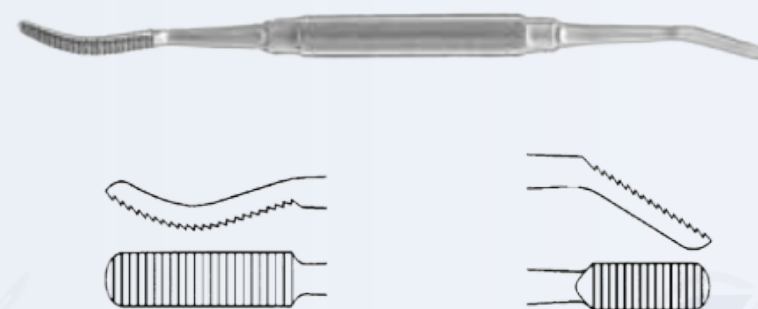
CODE #	DESCRIPTION
SC69545	Double-ended, cross serrations, 5 and 7 mm width, 7-1/8" (18 cm)

BONE FILE #33



CODE #	DESCRIPTION
SC69546	Double-ended, plain serrations, 6 and 5 mm width 7-1/8" (18 cm)

BONE FILE #45



CODE #	DESCRIPTION
SC69549	Double-ended, plain serrations, 6 and 5 mm width, 7-1/4" (18.5 cm)

BONE RASP #64



CODE #	DESCRIPTION
SC58070	Double-ended, plain serrations, 3 and 4 mm width, 7-1/8" (18 cm)

BONE FILE #92B

Single-ended, delicate, plain serrations.



CODE #	DESCRIPTION
SC69534	Angled upward

BONE FILE

Single-ended, 2-sided, convex and flat blade 23 mm wide tapers to 6 mm.



CODE #	DESCRIPTION
SC46705	11" (28 cm)

BONE FILE #92A

Single-ended, delicate, plain serrations.



CODE #	DESCRIPTION
SC69530	Angled downward

NAIL RASP #93



CODE #	DESCRIPTION
SC69538	Double-ended, 2 mm wide, angled, 6-3/4" (17 cm)

BONE FILE

Single-ended, bayonet shank, half round blade.



CODE #	DESCRIPTION
SC46650	Fine teeth, 15 mm wide, 9-1/2" (24 cm)

BONE RASPS

COTTLE RASP



CODE #	DESCRIPTION
052130	Straight down-cutting blade, 9 mm width, 8-1/4" (21 cm)

AUFRICHT-GLABELLA RASP



CODE #	DESCRIPTION
052165	Up and down-cutting, 9 x 30 mm, 7-1/2" (19 cm)

CONVERSE RASP



CODE #	DESCRIPTION
052180	Double-ended, fine and coarse serrations, 7-1/8" (18 cm)

BONE RASP

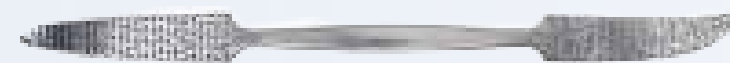
For rapid shaping of bone.



CODE #	DESCRIPTION
SC69547	Double-ended, fine and coarse cross serrations, 13 mm wide, 8-1/2" (21.5 cm)

PUTTI BONE RASP

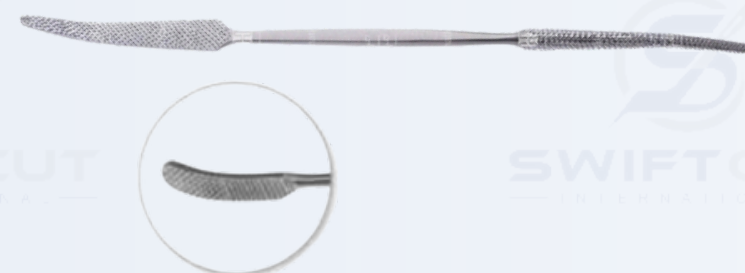
Double-ended. Flat blades, 18 mm wide, taper to 4 mm. One blade end is curved up and one end is curved sideways.



CODE #	DESCRIPTION
SC46654	10-3/8" (26.5 cm)

PUTTI BONE RASP

Double-ended. One round blade, 10 mm wide, tapers to 4 mm, and one half round blade, 15 mm wide, tapers to 5 mm.



CODE #	DESCRIPTION
SC46652	12" (30.5 cm)

AUFRICHT RASPS



CODE #	DESCRIPTION
052162	Forward-cutting, 25 x 9 mm, 8" (20.5 cm)
SC58050	Forward-cutting, 8.5 mm wide, 8-1/4" (21 cm)
SC58052	Backward-cutting, 9 mm wide, 8-1/4" (21 cm)

FOMAN RASP

Double-ended. Fine and coarse serrations. 4-sided, convex and flat blades.



CODE #	DESCRIPTION
SC46655	8-1/2" (21.5 cm)

JOSEPH RASP



CODE #	DESCRIPTION
441530	Fine serrations, 6-1/8" (15.5 cm)

KLEINERT-KUTZ BONE RASP

Double-ended. Fine and coarse serrations. 4-sided, convex and flat blades.



CODE #	DESCRIPTION
SC46653	8-7/8" (22.5 cm)

KLEINERT-KUTZ RASP



CODE #	DESCRIPTION
441555	4-sided tips, 7.5 mm wide, 8-5/8" (22 cm)

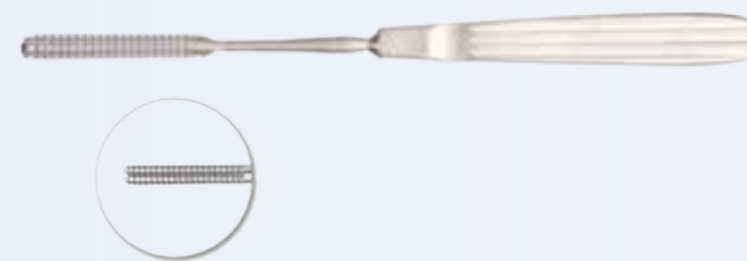
LEWIS RASPS

Single-ended bayonet shank, plain serrations, 8 mm wide, 7-1/2" (19 cm).



CODE #	DESCRIPTION
SC58072	Fine serrations
SC58073	Coarse serrations

MALTZ RASP



CODE #	DESCRIPTION
052100	Straight down-cutting blade, 6 mm width, 7-1/8" (18 cm)

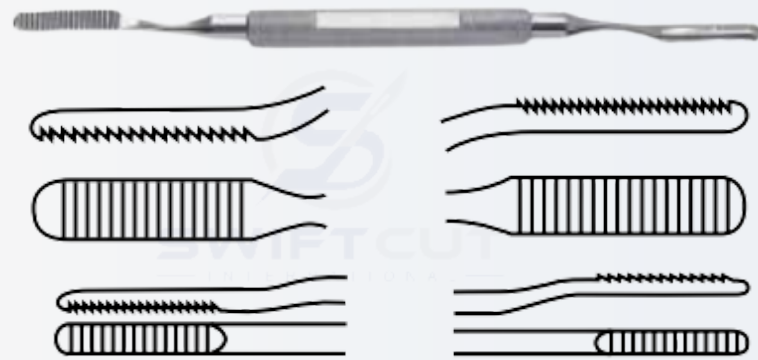
MALTZ RASP IMPROVED



CODE #	DESCRIPTION
SC58062	Straight down-cutting blade, 6 mm width, 7-1/8" (18 cm)

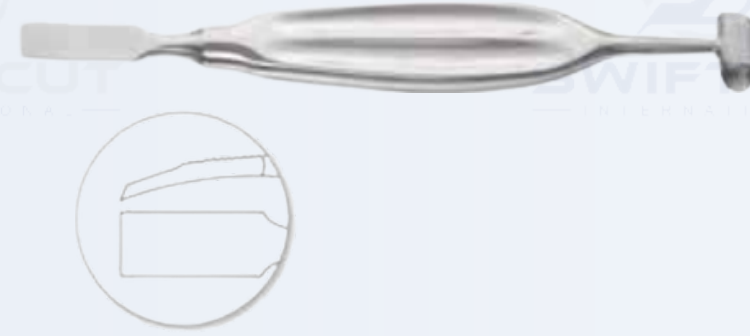
POLOKOFF BONE RASPS

Double-ended, plain serrations.



CODE #	DESCRIPTION
SC69540	6 mm wide, 7-7/8" (20 cm)
SC69541	3 and 4 mm wide, 7-7/8" (20 cm)

RIB RASPS ALEXANDER PERIOSTEAL RASP



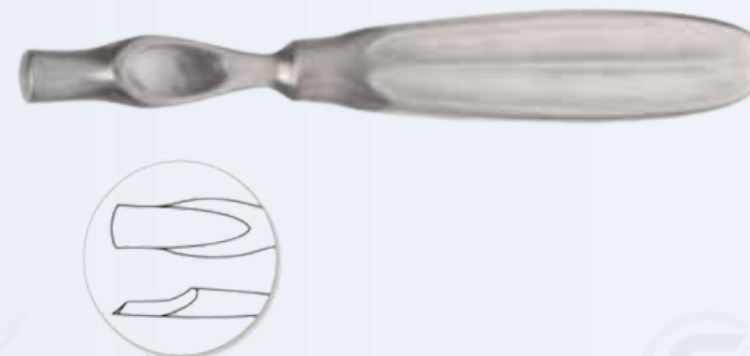
CODE #	DESCRIPTION
SC58110	11 mm sharp, 8-1/8" (20.5 cm)

FARABEUF PERIOSTEAL RASPS



CODE #	DESCRIPTION
SC58106	Straight blade, 13 mm curved edge
SC58108	Curved blade, 13 mm straight edge

KIRMISCION PERIOSTEAL RASP



CODE #	DESCRIPTION
SC58112	Sharp, 6-3/4" (17 cm)